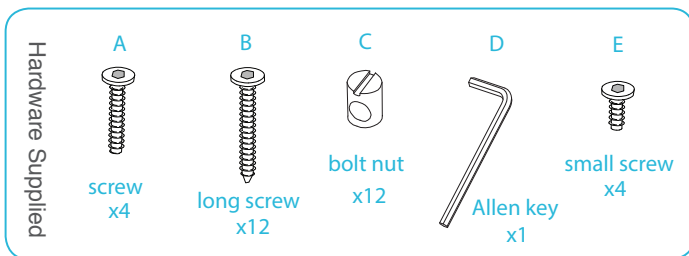


# Mocka Amalfi Cot

## Assembly Instructions

Thank you for your purchase.  
Please follow the instructions below for correct assembly.



Ensure the cot is placed at a reasonable distance from curtains, blinds, heaters and power points. Keep all medications, string, elastic, small toys or small items, such as money, out of reach from any position in the cot.

### Assembly

Care must be taken when attaching sides. Do not over-tighten screws as this can cause damage to the cot.

### Care and Maintenance

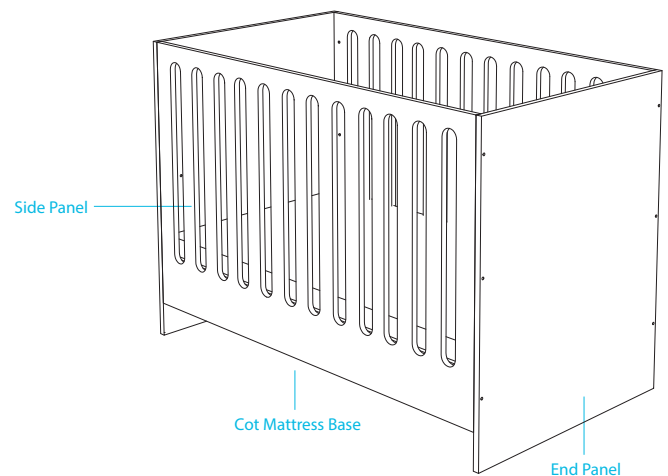
Regularly check all screws for tightness or damage that could render the cot unsafe. To clean - use a damp cloth, avoiding the use of detergents or abrasives.

### Recommended mattress size

This cot has been manufactured for use with a mattress which measures 1300mm long x 700mm wide x 100mm in thickness. The width and length are specified because it is important that gaps between the mattress and the sides and ends of the cot will not exceed 40mm. This is to minimize the risk of a child's limb becoming caught in the gap. The thickness of the mattress has been specified to ensure that the depth of the cot is greater than 500mm with the mattress base in the lower position to minimize the risk of a child climbing or falling out of the cot.

[mocka.co.nz](http://mocka.co.nz) | [mocka.com.au](http://mocka.com.au)

# mocka



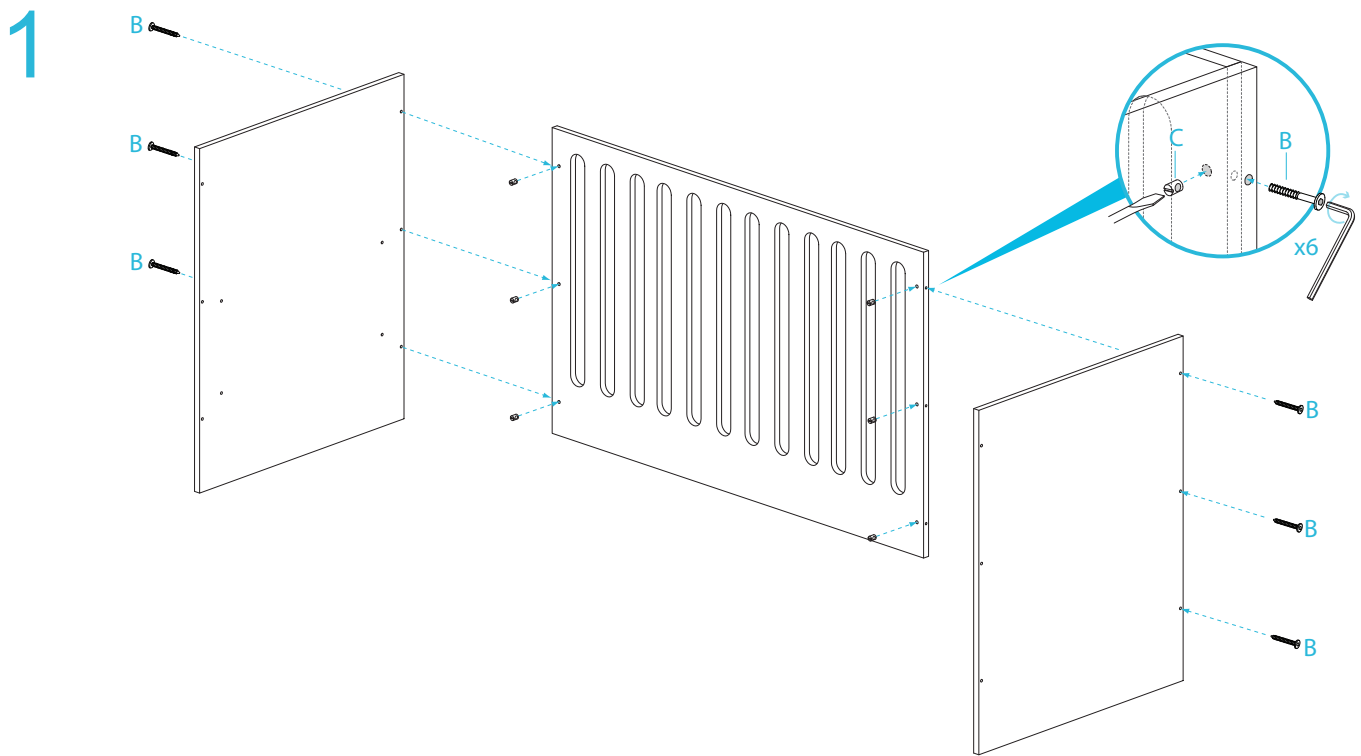
**WARNING: TO PREVENT FALLS, THE MATTRESS BASE OF THIS COT SHOULD BE ADJUSTED TO THE LOWEST POSITION BEFORE THE CHILD CAN SIT UP**

1

# Mocka Amalfi Cot

## Assembly Instructions

mocka



Find one of the side panels and attach to both end panels of the cot using 6x long screws (B) and bolt nuts (C) in the holes as shown.

[mocka.co.nz](http://mocka.co.nz) | [mocka.com.au](http://mocka.com.au)

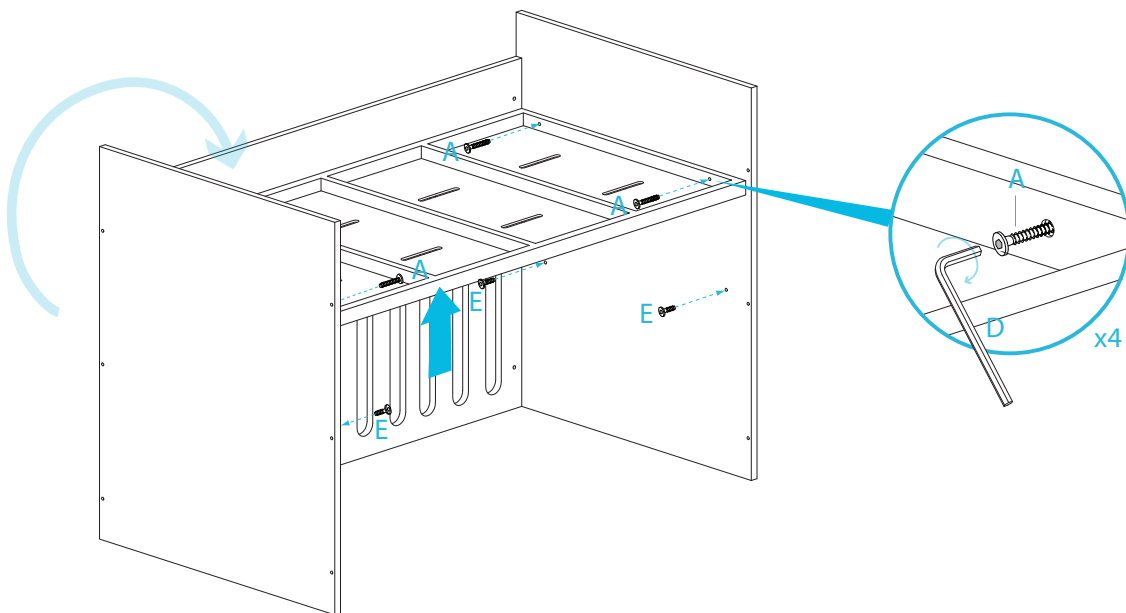
2

# Mocka Amalfi Cot

## Assembly Instructions

mocka

2



Flip the cot upside down. Attach the cot mattress base at the required level using 4x screws (A) fastened from inside the base, and tightened using the allen key (D). Place 4x small screws (E) into the spare holes on both end panels as shown.

[mocka.co.nz](http://mocka.co.nz) | [mocka.com.au](http://mocka.com.au)

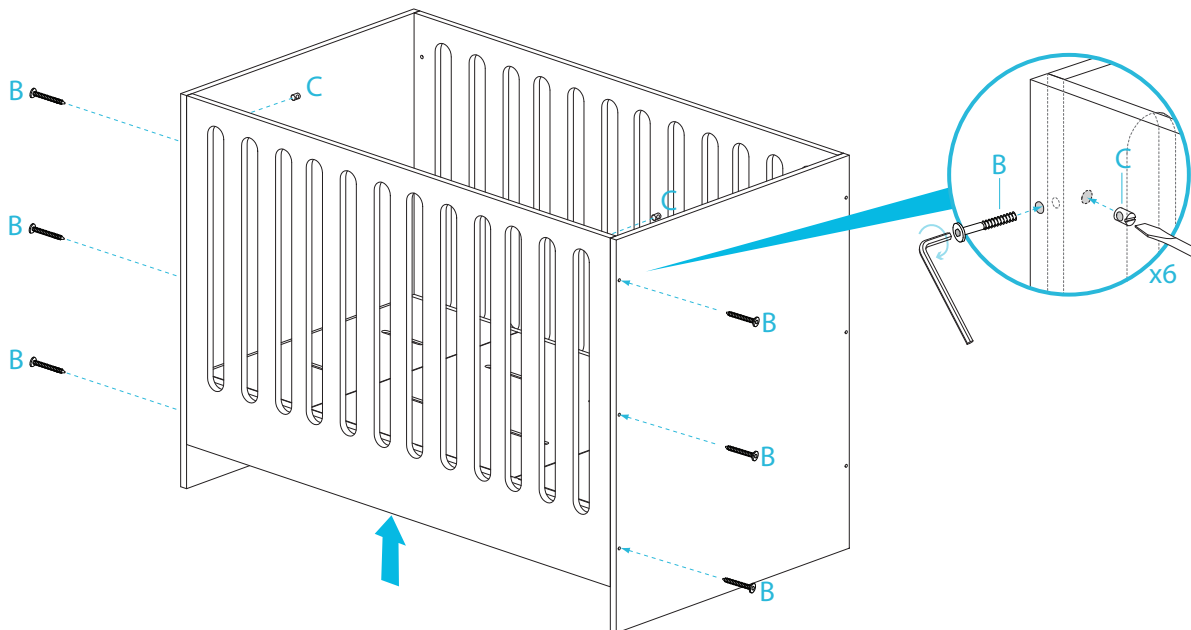
3

# Mocka Amalfi Cot

## Assembly Instructions

mocka

3



Flip cot back over. Slide the remaining side panel into place and attach using 6x long screws (B) and bolt nuts (C) repeating the process in step 1. You may need to turn cot over to insert all screws and nuts. Tighten all screws using the allen key (D).

[mocka.co.nz](http://mocka.co.nz) | [mocka.com.au](http://mocka.com.au)

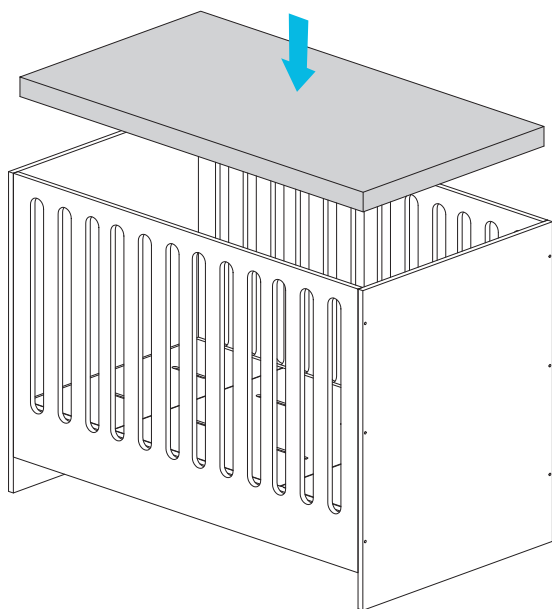
4

# Mocka Amalfi Cot

## Assembly Instructions

mocka

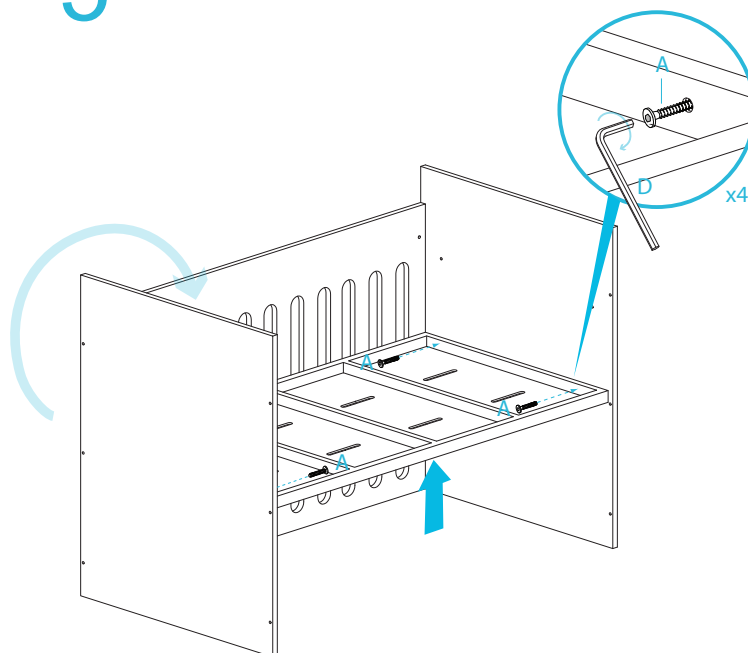
4



All done! Regularly check all screws are suitably tightened. Place the correct size mattress into the cot before use. To clean use a damp cloth, avoiding the use of detergents or abrasives. Once assembled lift furniture into place, do not drag.

[mocka.co.nz](http://mocka.co.nz) | [mocka.com.au](http://mocka.com.au)

5



OPTIONAL: To adjust mattress base setting, repeat steps 2 and 3 by removing the side panel, unscrewing screws (A), (B) & (E), and move the base to the corresponding holes. Securely fasten again in the adjusted position and replace the screws, using the spare holes you took the base from.

5