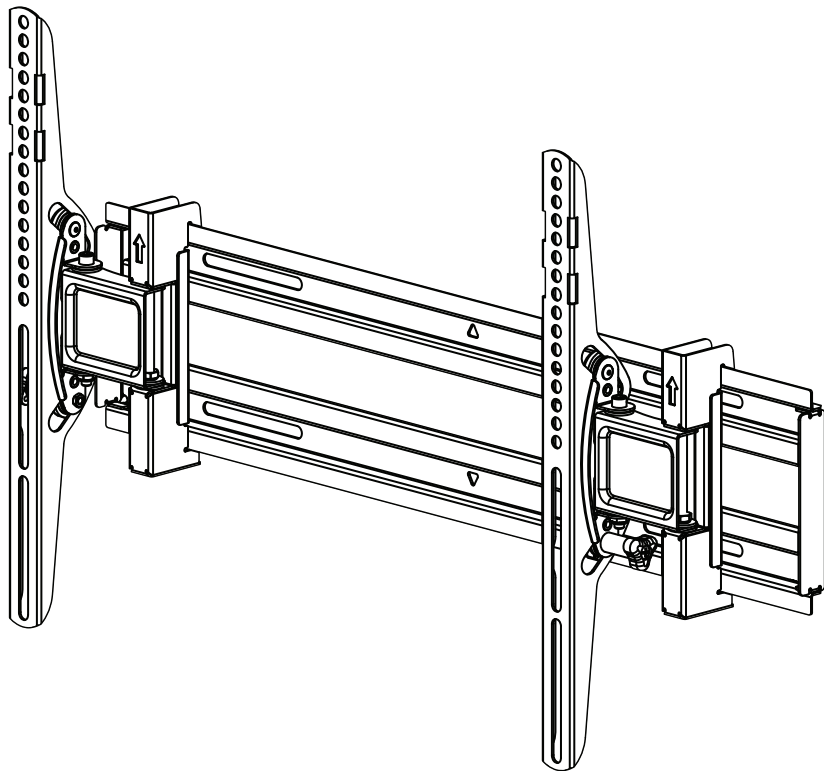


DYNEX™

Large Extended Tilt Mount

DX-MLET21



INSTALLATION GUIDE

Before using your new product, please read these instructions to prevent any damage.

Contents

IMPORTANT SAFETY INSTRUCTIONS	2
Features	2
VESA TV screw hole patterns	2
Dimensions.....	3
Tools needed	3
Package contents	4
Parts	4
TV Hardware Bag	4
Installation instructions	5
STEP 1 - Determine whether your TV has a flat back or an irregular or obstructed back	5
STEP 2 - Select screws, washers, and spacers	6
STEP 3 - Attach the mounting hardware to a TV	7
STEP 4 - Determine the wall-mount location	9
STEP 5 - Option 1: Install on a wood stud wall	10
STEP 5 - Option 2: Install on a solid concrete or concrete block wall	12
STEP 5 - Option 3: Install on a steel stud wall	14
STEP 6 - Securing your TV to the wall plate.....	17
Managing cables.....	19
Adjusting the position of your TV.....	19
Adjusting the tilt.....	19
Adjusting the lateral position	20
Removing your TV from the wall plate	21
90-DAY LIMITED WARRANTY	23

IMPORTANT SAFETY INSTRUCTIONS

SAVE THESE INSTRUCTIONS

CAUTION: Do not use this product for any purpose not explicitly specified by Dynex.

- Improper installation may cause property damage or personal injury. If you do not understand these directions, or have doubts about the safety of the installation, contact Customer Service or call a qualified contractor. Dynex is not responsible for damage or injury caused by incorrect installation or use.
- The weight of your TV must not exceed 80 lbs. (36.3 kg). The wall must be capable of supporting five times the weight of your TV and wall mount combined.
- This product contains small items that could be a choking hazard if swallowed. Keep these items away from young children!

Features

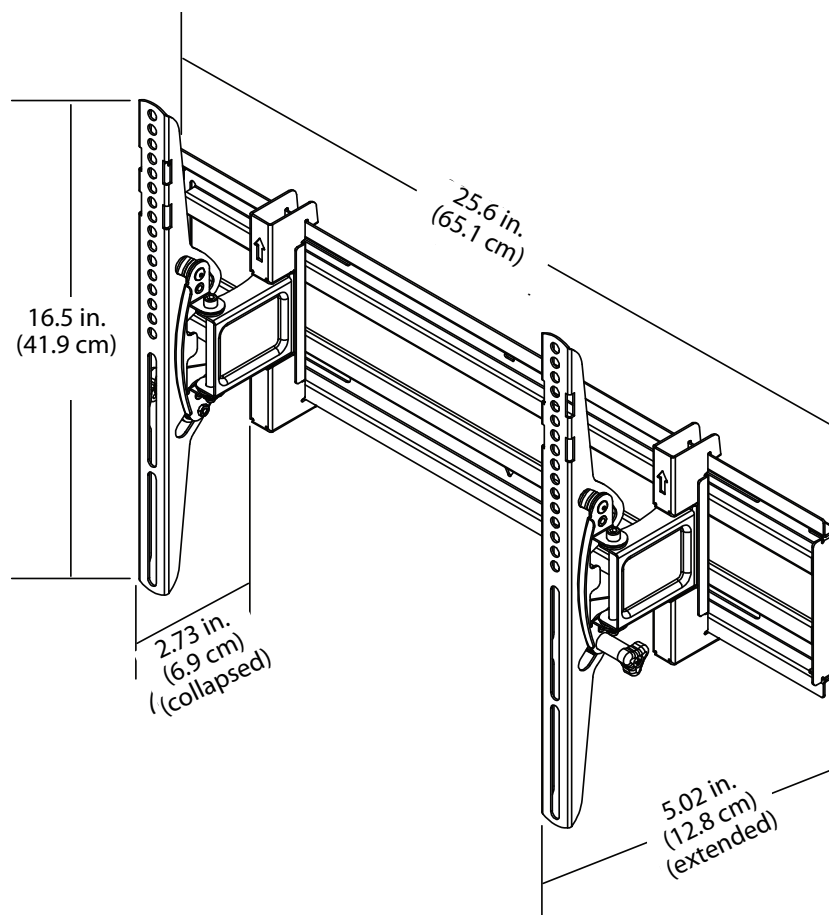
- Supports TVs 32– 70" (81.3 – 177.8 cm) and up to 80 lbs (36.3 kg)
- Up to 12° tilt lets you adjust the angle to suit your viewing position
- Lateral shift capability easily centers your TV
- Compatible with VESA patterns from 100 × 100 up to 400 × 600 with all common sizes in between
- Sturdy steel construction for years of dependable use
- Full assortment of mounting hardware included for a wide range of TVs

VESA TV screw hole patterns

Your wall mount works with the following VESA TV screw hole patterns:

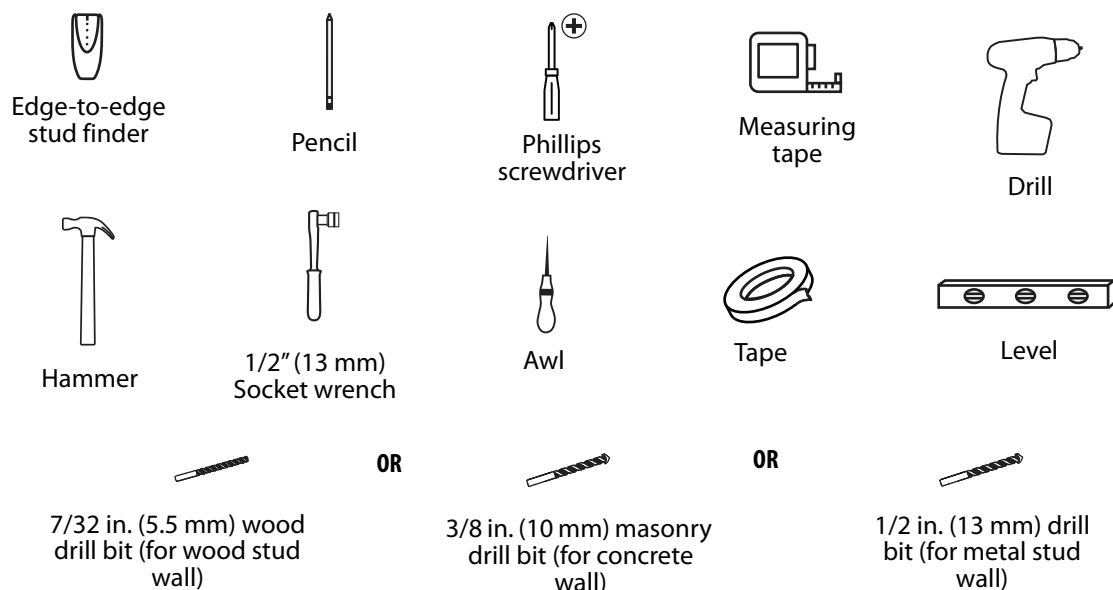
100 x 100 mm (3.9 x 3.9")	400 x 200 mm (15.7 x 7.9")
200 x 200 mm (7.9 x 7.9")	400 x 300 mm (15.7 x 11.8")
300 x 200 mm (11.8 x 7.9")	400 x 400 mm (15.7 x 15.7")
300 x 300 mm (11.8 x 11.8")	400 x 600 mm (15.7 x 23.6")

Dimensions



Tools needed

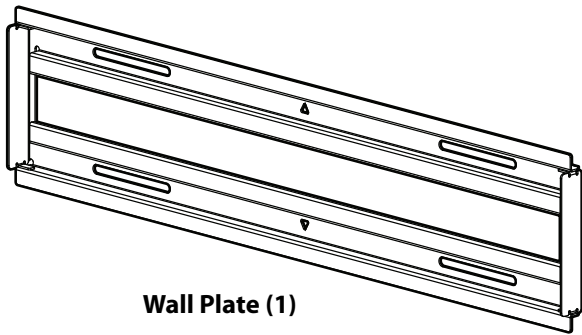
You need the following tools to install your new TV wall mount:



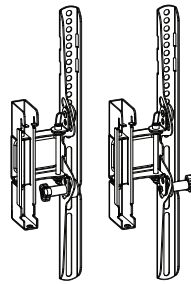
Package contents

Parts

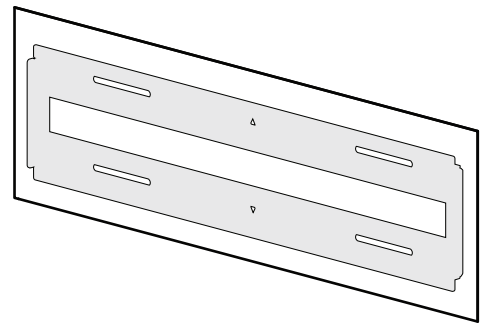
Make sure that you have all the parts and hardware necessary to assemble your new TV wall mount:



Wall Plate (1)











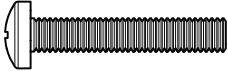

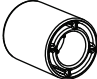


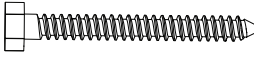


TV Brackets (2)



Wall Plate Template (1)

TV Hardware Bag

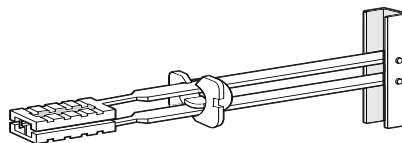
HARDWARE	QTY.
 M4 × 12 mm screw	4
 M4 × 35 mm screw	4
 M6 × 12 mm screw	4
 M6 × 20 mm screw	4
 M6 × 35 mm screw	4
 M8 × 16 mm screw	4
 M8 × 25 mm screw	4
 M8 × 35 mm screw	4

HARDWARE	QTY.
 M8 × 50 mm screw	4
 Spacer (thin)	4
 Spacer (thick)	4
 M4 washer	4
 M6/M8 washer	4
 Lag bolt	4
 Lag bolt washer	4
 10 x 32 x 1 1/4" Locking screw	2

Not included with TV Mount (Contact customer service at 1-800-305-2204)



Concrete anchor (4)
Fischer UX10 x 600R



1/4-20 Snap Toggle BB (4)



Screw 1/4-20 x 1 3/4 in. (4)

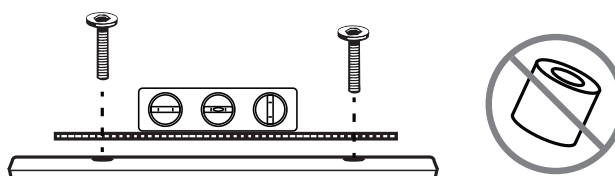


Washer 1/4 in. (4)

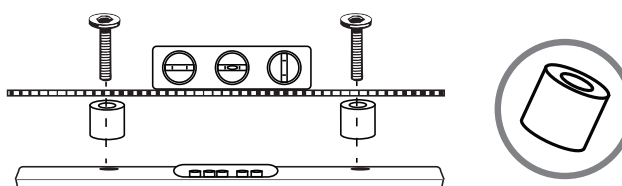
Installation instructions

STEP 1 - Determine whether your TV has a flat back or an irregular or obstructed back

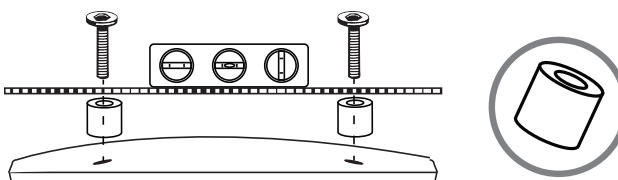
- 1 Carefully place your TV screen face-down on a cushioned, clean surface to protect the screen from damages and scratches.
- 2 If your TV has a table-top stand attached, remove the stand. See the documentation that came with your TV for instructions.
- 3 Lay the TV brackets, oriented vertically, on the back of your TV.
- 4 Align the screw holes in the TV brackets with the mounting screw holes on your TV.
- 5 Identify which type of back your TV has:
 - **Flat back:** The brackets lay flush against the back of your TV and do not block any jacks. You do not need spacers when assembling the wall mount.



- **Obstructed back:** The brackets block one or more of the jacks on the back of your TV. You need spacers when assembling the wall mount.



- **Irregularly-shaped back:** There is a gap between a bracket and some part of the back of your TV. You need spacers when assembling the wall mount.



- 6 Remove the TV brackets.

STEP 2 - Select screws, washers, and spacers

1 Select the hardware for your TV (screws, washers, and spacers). A limited number of TVs come with mounting hardware included. (If there are screws that came with your TV, they are almost always in the holes on the back of your TV.) If you don't know the correct length of the mounting screws your TV requires, test various sizes by hand-threading the screws.

Select one of the following types of screws:

For a TV with a flat back:

- M4 X 12 mm screws
- M6 X 12 mm screws
- M8 X 16 mm screws

For a TV with an irregular/obstructed back:

- M4 X 35 mm screws
- M6 X 20 mm screws
- M6 X 35 mm screws
- M8 X 25 mm screws
- M8 X 35 mm screws
- M8 X 50 mm screws

If you use M4 screws, select the M4 washers or if you use M6 or M8 screws, select the M6/M8 washers. For an irregular or obstructed TV back, also use the spacers.

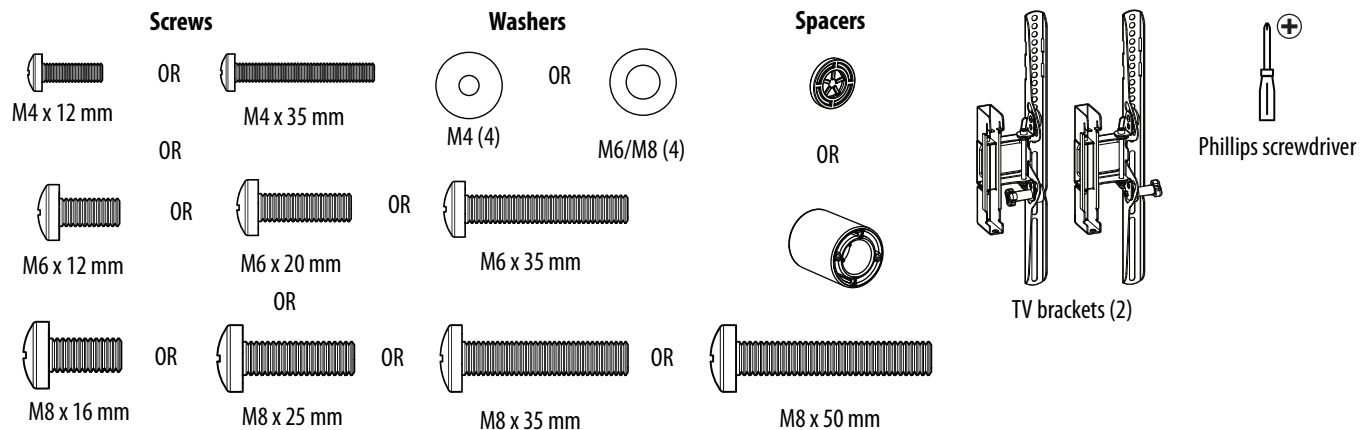
CAUTION: To avoid potential personal injuries and property damage, make sure that there are adequate threads to secure the brackets to your TV. If you encounter resistance, stop immediately and contact customer service. Use the shortest screw and spacer combination to accommodate your TV. Using hardware that is too long may damage your TV. However, using a screw that is too short may cause your TV to fall from the mount.

Screw fits correctly Screw is too long Screw is too short

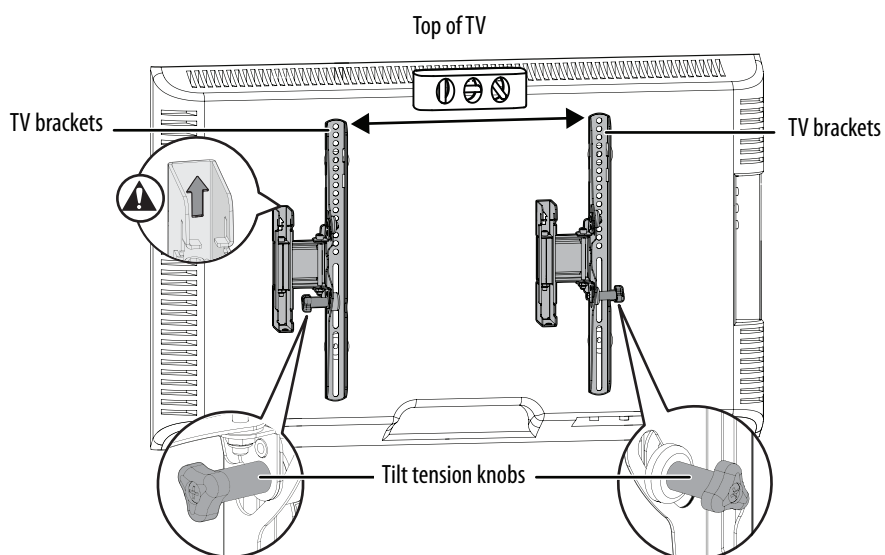
2 Remove the screws from the holes in the back of your TV.

STEP 3 - Attach the mounting hardware to a TV

You'll need



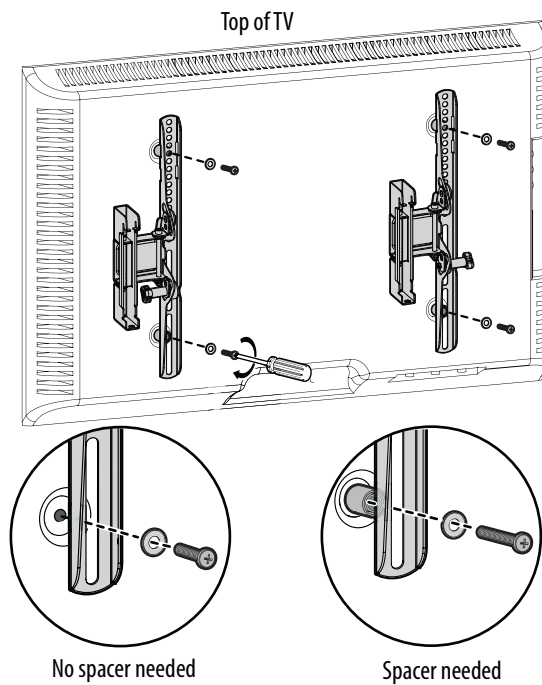
- 1 Align the left and right TV brackets with the screw holes on the back of your TV. Make sure that the brackets are level.



Important: Tilt tension knobs should be oriented to the outside edges.

- 2 Install washers (M4 or M6/M8), spacers (if needed, see STEP 1 - Determine whether your TV has a flat back or an irregular or obstructed back on page 5), and screws (M4, M6, or M8) into the holes in the back of your TV.

CAUTION: To avoid potential personal injuries and equipment damage, DO NOT use power tools for the following step. Tighten the screws only enough to secure the TV brackets to the TV. DO NOT over tighten.



- 3 Tighten the screws with a Phillips screwdriver until they are snug against your TV brackets.

STEP 4 - Determine the wall-mount location

You'll need



Measuring tape



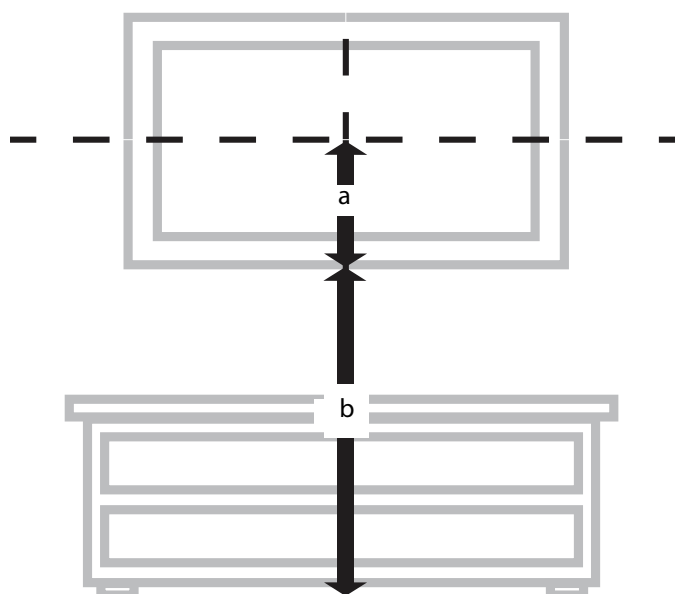
Pencil

Notes:

- For more detailed information on determining where to drill your holes, visit our online height-finder at: <http://mf1.bestbuy.selectionassistant.com/index.php/heightfinder>
- Your TV should be high enough so your eyes are level with the middle of the screen. This is normally 40 to 60 in. (101 to 152 cm) from the ground.

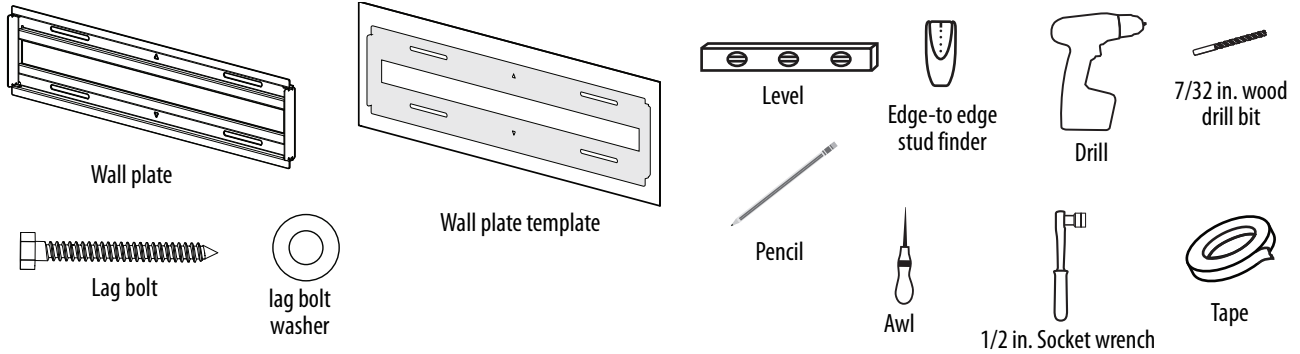
The center of your TV will be offset .8 in. (2 cm) lower than the center of the wall plate on the wall-mount. Before you drill holes in the wall:

- 1 Measure the distance from the bottom of your TV to the center point halfway between the top and bottom mounting holes on the back of your TV. This is measurement **a**.
- 2 Measure the distance from the floor to where you want the bottom of your TV to be placed on the wall. Keep in mind that the bottom of your TV should be placed above any furniture (such as entertainment centers or TV stands). Your TV should also be above items placed on top of the furniture (like a Blu-ray player or cable box). This measurement is **b**.
- 3 Add **a + b**. The total measurement is the height where you want the center of the wall plate to be on the wall.
- 4 Use a pencil to mark this spot on the wall.



STEP 5 - Option 1: Install on a wood stud wall

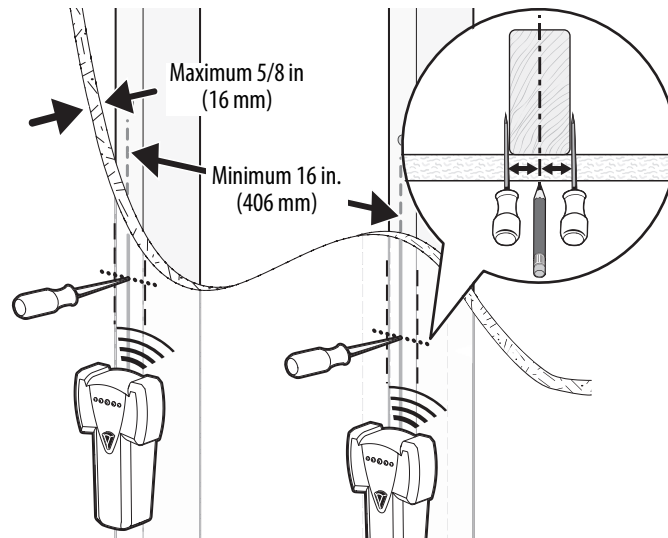
You'll need



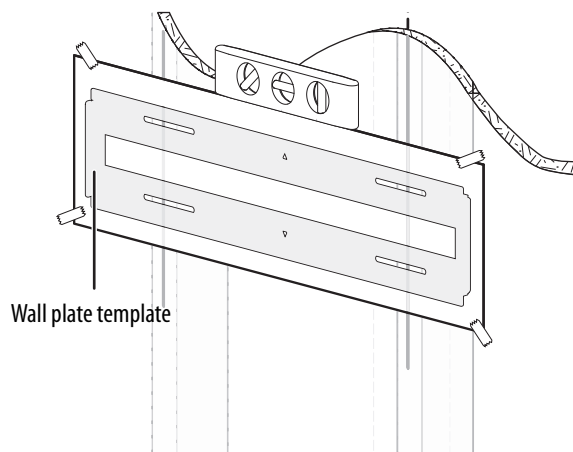
CAUTIONS:

- Drywall thickness must not exceed 5/8 in. (16 mm).
- Minimum wood stud size is 2 x 4 in. (51 x 102 mm) nominal or 1-1/2 x 3-1/2 in. (38 x 89 mm) actual.
- Minimum horizontal space between fasteners is 16 in. (406 mm).
- Stud center must be verified.

- 1 Locate and verify the centers of the studs with an edge-to-edge stud finder, then mark the centers with an awl.



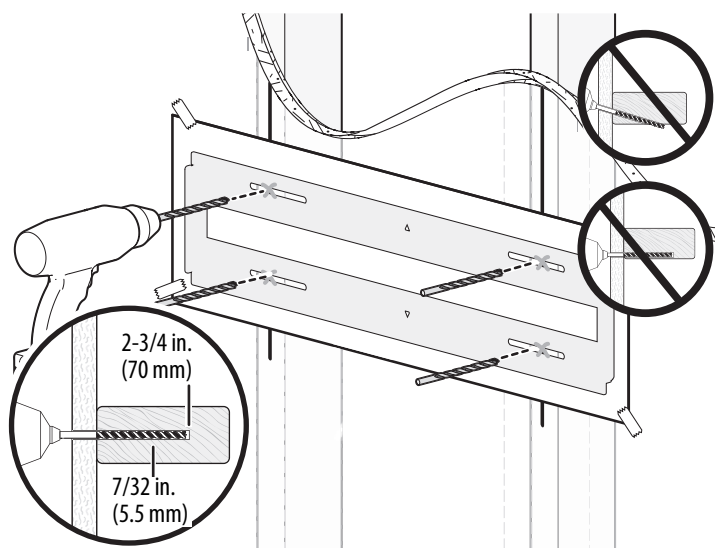
- 2 Align the center of the wall plate template at the height (a + b) you determined in the previous step, make sure that the template is level, then tape it to the wall.



Note: After mounting, your TV will shift 2.28 in. (58 mm) to the right when the TV mount is extended. You can fine tune the wall plate and TV mount to compensate.

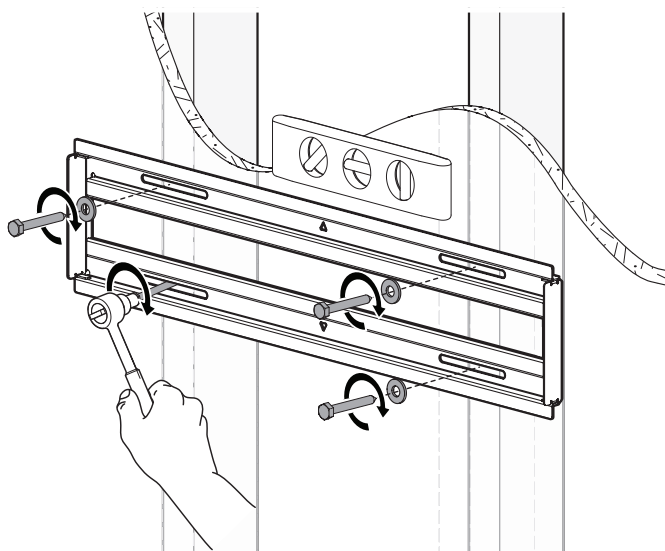
- 3 Drill four pilot holes through the template to a depth of 2-3/4 in. (70 mm) using a 7/32 in. (5.5 mm) diameter drill bit, then remove the template.

Important: Make sure that you drill into the center of the studs.



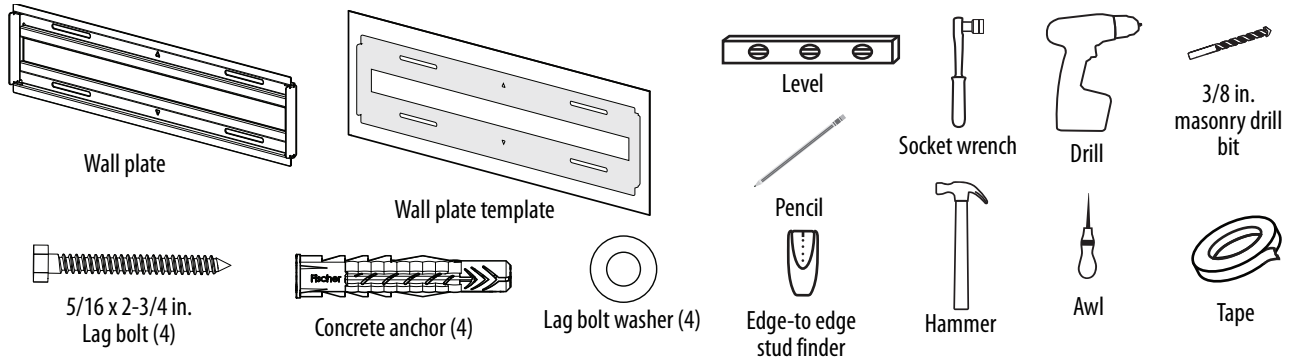
- 4 Align the wall plate with the pilot holes, insert the lag bolts through the lag bolt washers, then through the holes in the wall plate. Make sure that the wall plate is level. Tighten the lag bolts with a socket wrench only until they are firm against the wall plate.

CAUTION: DO NOT over-tighten the lag bolts.



STEP 5 - Option 2: Install on a solid concrete or concrete block wall

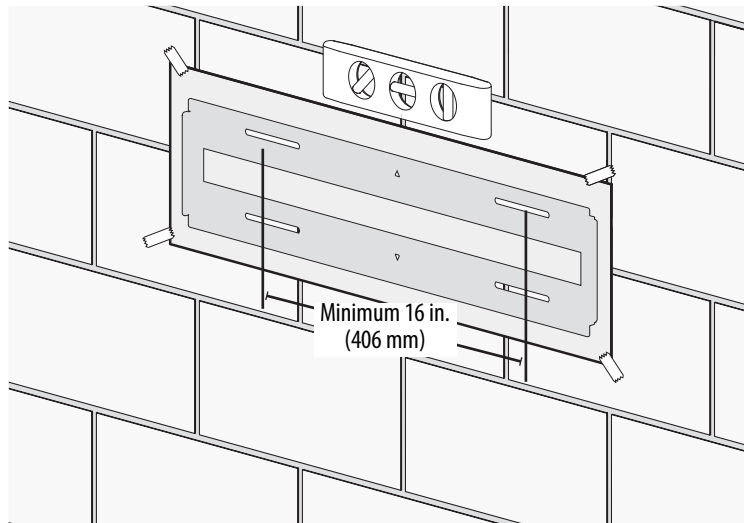
You'll need (Note: Concrete wall installation kit not included)



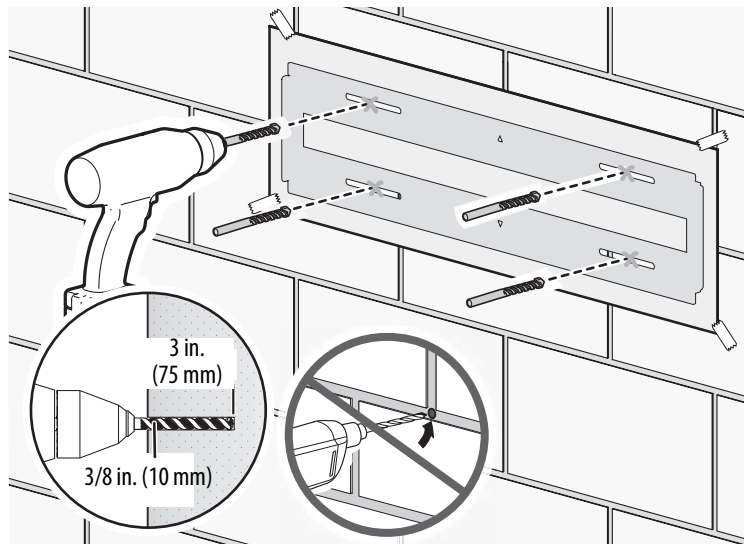
CAUTIONS:

- To prevent property damage or personal injury, never drill into the mortar between blocks.
- Mount the wall plate directly onto the concrete surface (no wall covering).
- Minimum concrete block size: 8 x 8 x 16 in. (203 x 203 x 406 mm).
- Minimum horizontal space between fasteners: 16 in (406 mm).

- 1 Align the center of the wall plate template at the height (**a + b**) you determined in the previous step, make sure that it is level, then tape it to the wall.



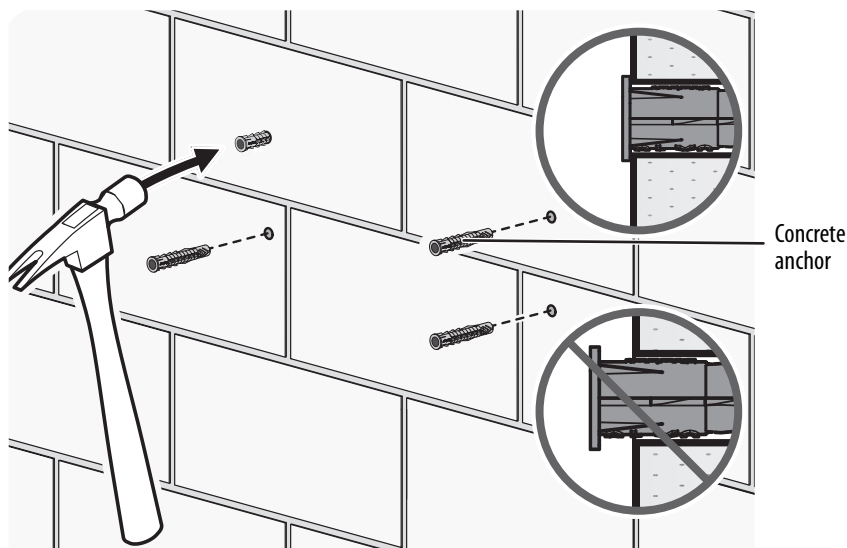
- 2 Drill four pilot holes through the template to a depth of 3 in. (75 mm) using a 3/8 in. (10 mm) diameter masonry drill bit, then remove the template.



Note: After mounting, your TV will shift 2.28 in. (58 mm) to the right when the TV mount is extended. You can fine tune the wall plate and TV mount to compensate.

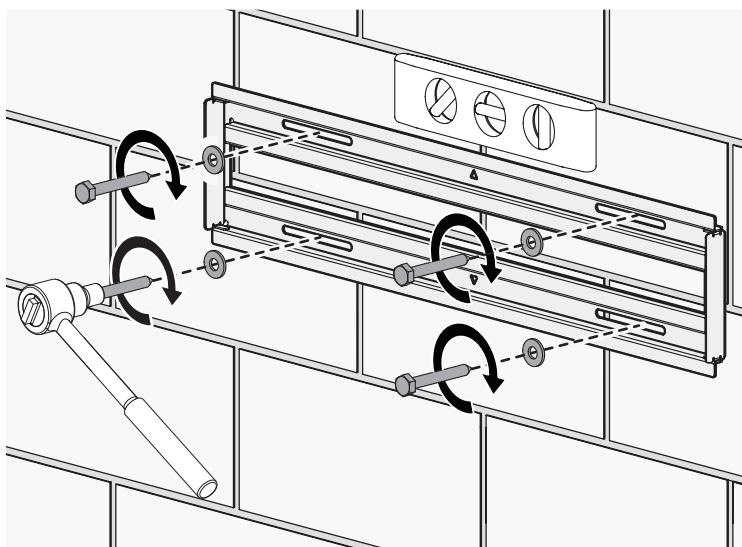
- 3 Insert the concrete wall anchors into the pilot holes and use a hammer to make sure that the anchors are flush with the concrete surface.

CAUTION: Make sure that the concrete anchors are seated flush with the surface of the concrete or block wall.



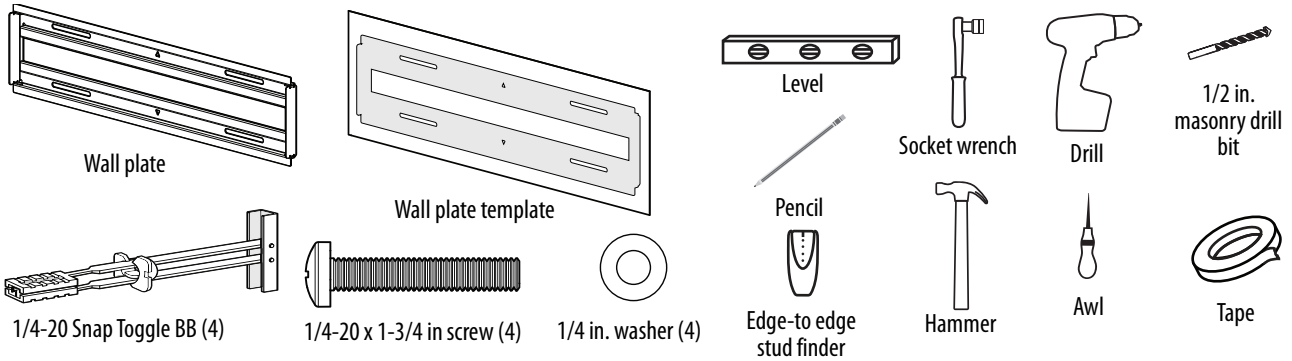
- 4 Align the wall plate on the wall mount with the anchors, insert the lag bolts through the lag bolt washers, then through the holes in the wall plate. Make sure that the wall plate is level. Tighten the lag bolts with a socket wrench only until they are firm against the wall plate.

CAUTION: DO NOT over-tighten the lag bolts.



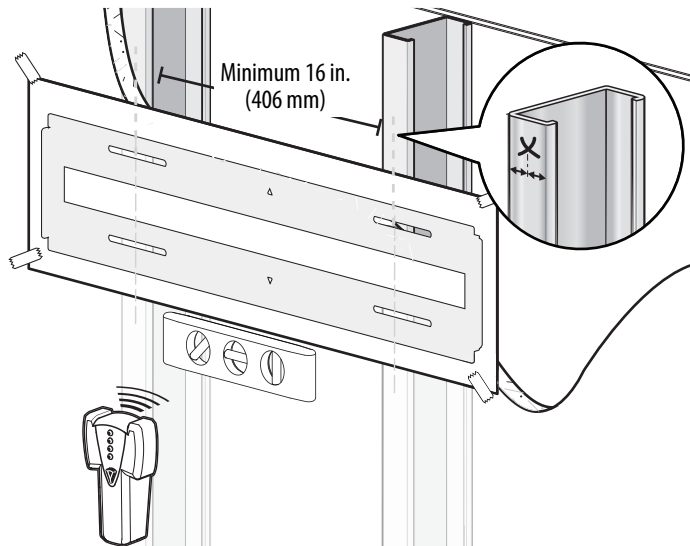
STEP 5 - Option 3: Install on a steel stud wall

You'll need (Note: Steel stud installation kit not included)

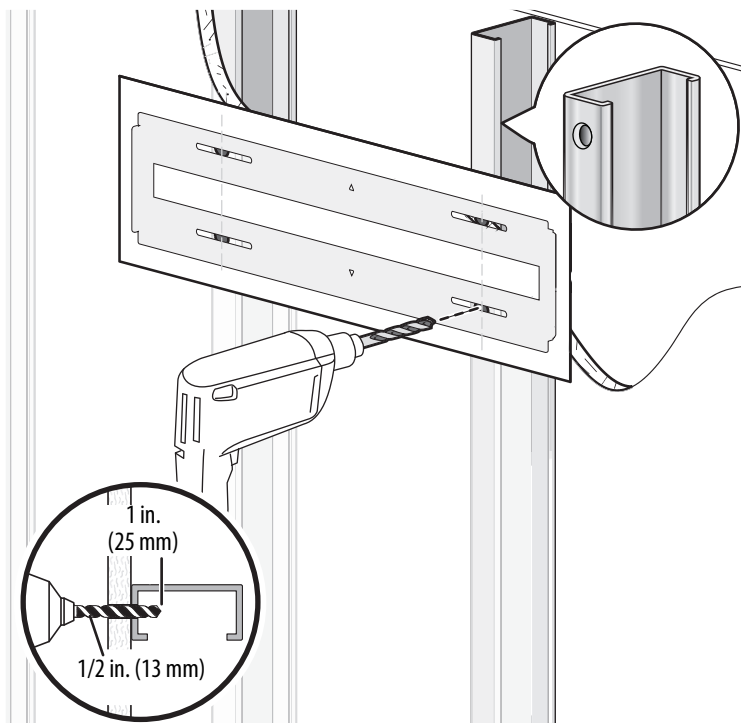


- CAUTIONS:**
- Studs must be at least 2 x 4 in./25 gauge.
 - If the back side of the wall is unfinished, drywall must be installed to a minimum of one stud left and right of the stud(s) being used to install the TV mount.
 - Drywall must be a minimum of 1/2 in. (13 mm) thick on each side of the studs, and a minimum clearance of 1 in. (48 mm) behind the wall is required.
 - Pilot holes **MUST** be drilled to a depth of 1 in. (26 mm), using a 1/2 in. (13 mm.) diameter drill bit.
 - Steel stud anchors must be centered on the studs.
 - Stud type and structural strength must conform to the North American Specification for the Design of Cold-Formed Steel Structural Members [362 S 125 18, C-Shape, S - Stud Section].
 - Drywall must be secured to studs with screws 12 in. (304.8 mm) on center.

- 1 Align the center of the wall plate template at the height (**a + b**) you determined in the previous step, make sure that it is level, then tape it to the wall.

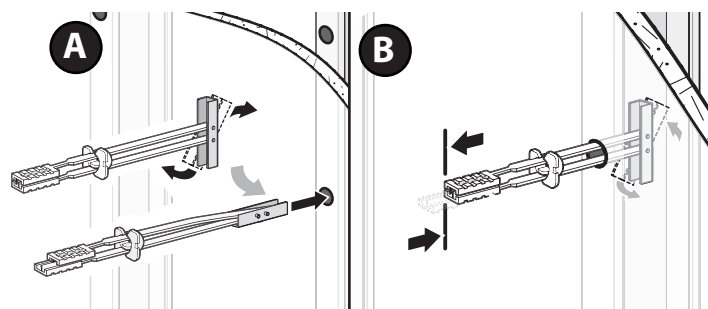


- 2 Drill four pilot holes through the template to a depth of 1 in. (25 mm) using a 1/2 in. (13 mm) diameter masonry drill bit, then remove the template.



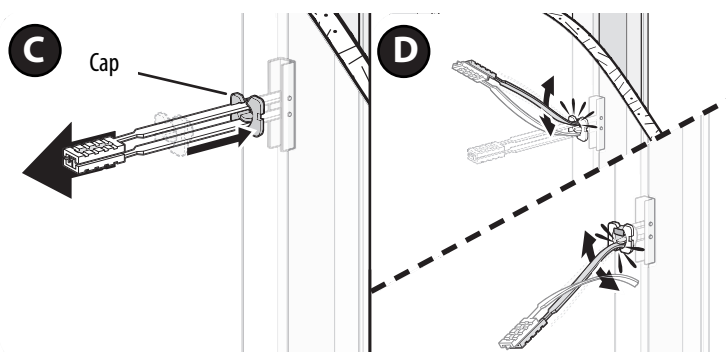
Note: After mounting, your TV will shift 2.28 in. (58 mm) to the right when the TV mount is extended. You can fine tune the wall plate and TV mount to compensate.

- 3 Pivot the toggle at the end of the steel stud anchor to align it, so that it can be inserted into the holes you drilled, insert the steel stud anchors into the pilot holes (A), then align the finger grips at the end of the steel stud anchor to open the toggle inside the wall (B).



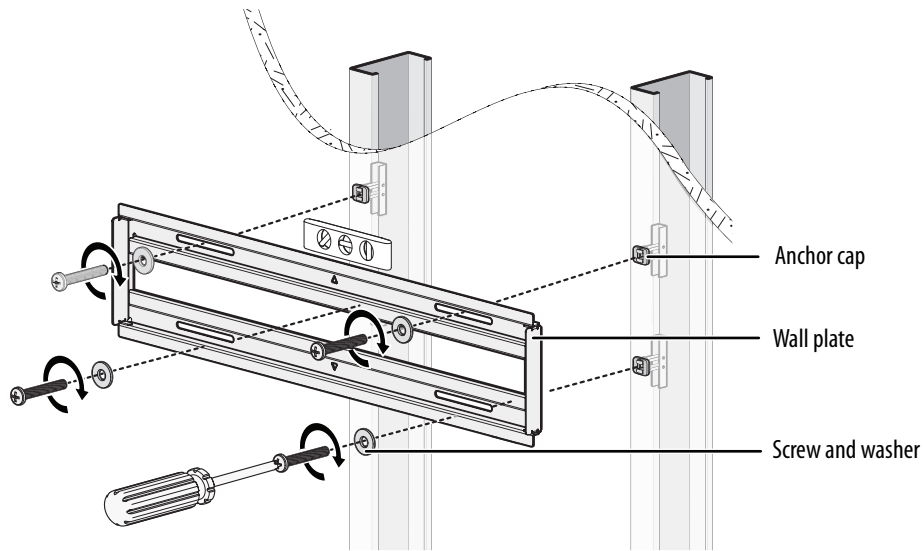
- 4 Slide the plastic cap down the installation rods until it's flush with the wallboard (C), then bend to snap the excess off of the installation rods (D).

CAUTION: Make sure that the caps are flush with the wall board surface.



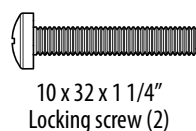
- Align the wall plate on the wall mount with the anchor caps, insert the 1/4-20 x 1-3/4 in. screws through the 1/4 in. washers, then through the holes in the wall plate. Make sure that the wall plate is level. Tighten the screws with a Phillips screwdriver only until they are firm against the wall plate.

CAUTION: DO NOT over-tighten the screws.



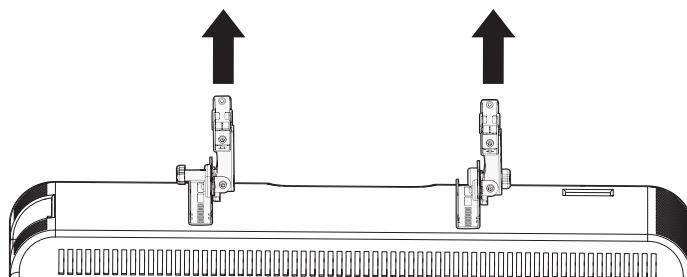
STEP 6 - Securing your TV to the wall plate

You'll need

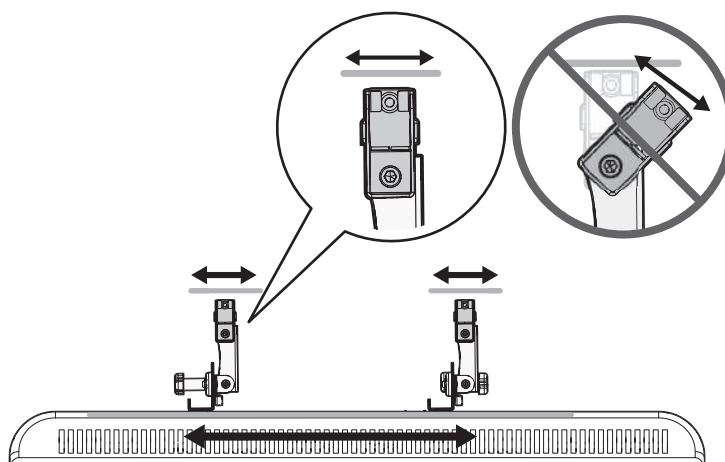


CAUTION: The TV brackets contain potential pinch points. Keep your fingers away from pinch points when retracting or extending your TV.

- 1 Extend the TV brackets as shown below.

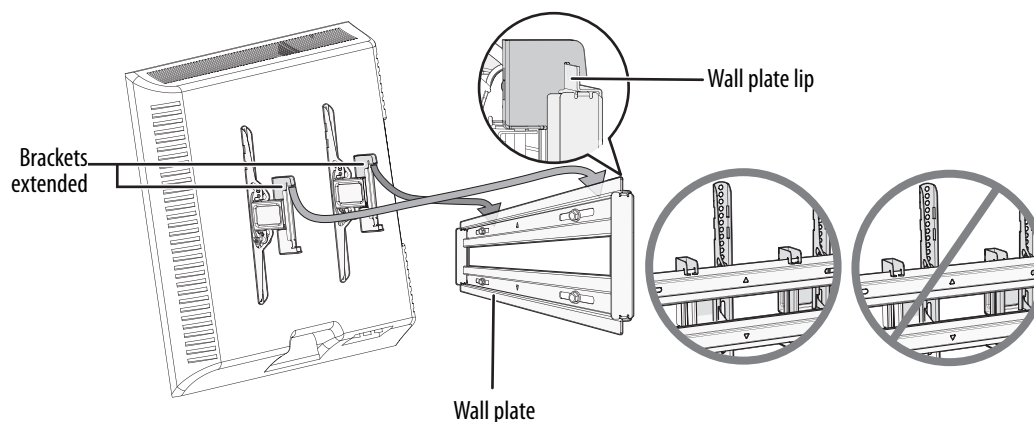


- 2 Align the ends of the TV brackets with your TV.



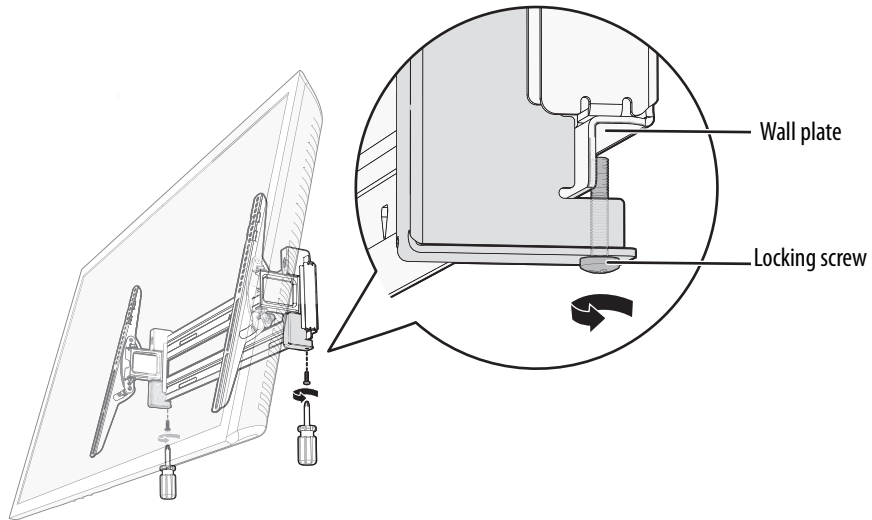
- 3 Holding your TV with the top of the screen tilted toward the wall, slide the upper edges of the extended right and left TV brackets onto the upper lip of the TV wall plate.

Important: Make sure that both TV brackets are hooked over the top of the wall plate.



- 4 Rest the bottom of the TV/bracket assembly against the wall plate, then install the locking screws in the bottom of the TV brackets to secure the TV to the wall plate.

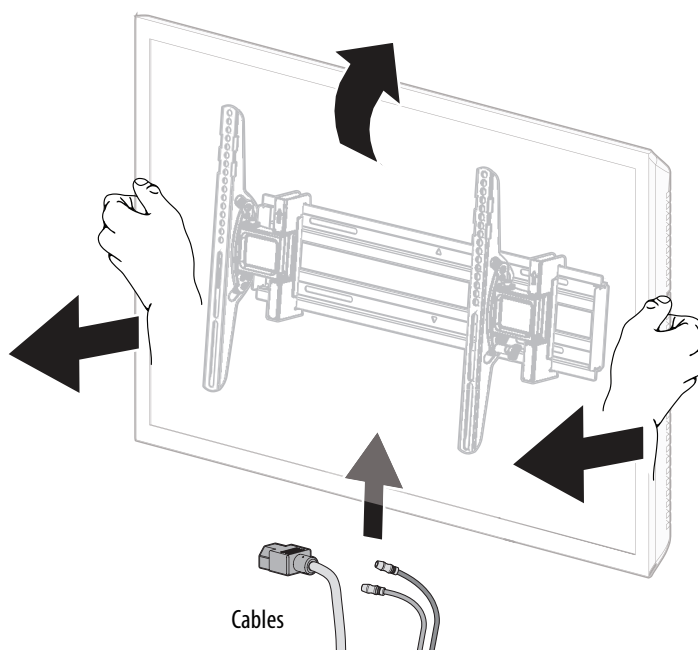
Important: Before extending or retracting your TV on the wall plate, make sure that both locking screws are properly installed.



Note: After mounting, your TV will shift 2.28 in. (58 mm) to the right when the TV mount is extended. You can fine tune the wall plate and TV mount to compensate.

Managing cables

Move your TV as needed in order to attach the cables to the connection points on the back of the TV, then adjust the TV as needed.



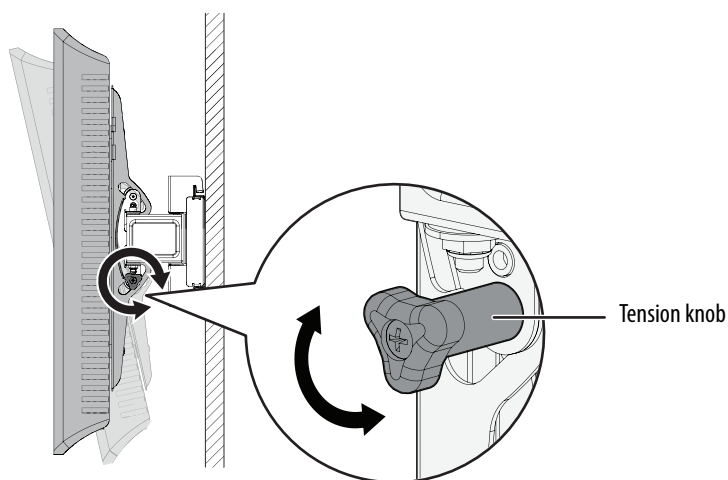
Adjusting the position of your TV

CAUTION: The TV brackets contain potential pinch points. Keep your fingers away from pinch points when retracting or extending your TV.

- Extend or retract your TV, as necessary, by pulling gently from the wall to extend or pushing gently against the TV to retract.

Adjusting the tilt

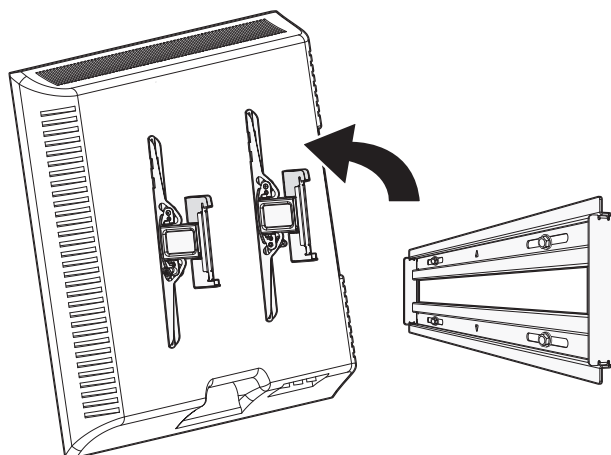
- Your TV should adjust easily, then stay in place. If your TV is too loose or too tight, adjust the side tension knobs.



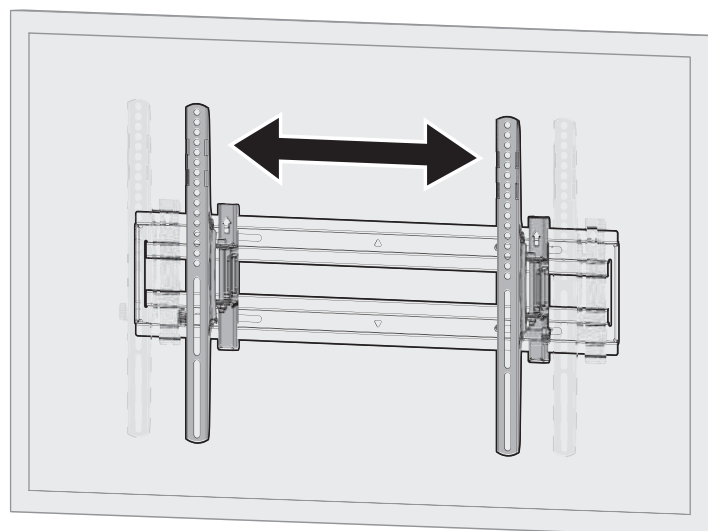
Note: After your TV is in place, tighten the side tension knobs to prevent unwanted movement.

Adjusting the lateral position

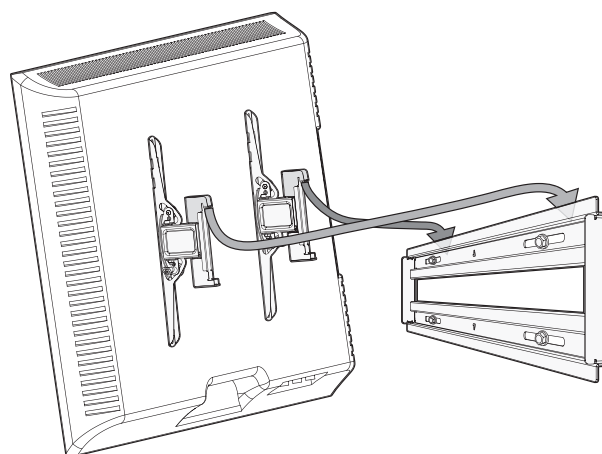
- 1 Before adjusting the lateral position of your TV on the wall, remove the TV from the wall plate (see [Removing your TV from the wall plate on page 21](#)).



- 2 Determine where on the wall plate you want your TV.

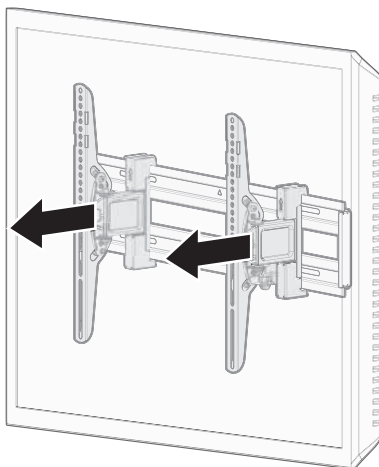


- 3 Rehang the TV on the wall plate following the directions in [STEP 6 - Securing your TV to the wall plate on page 17](#).

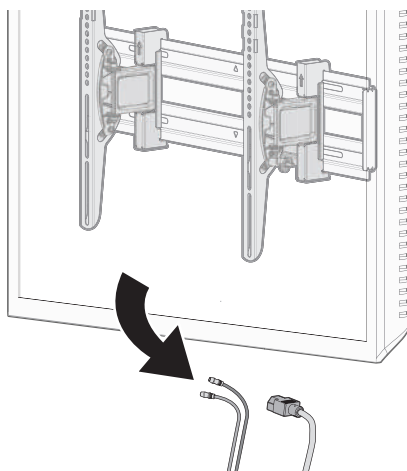


Removing your TV from the wall plate

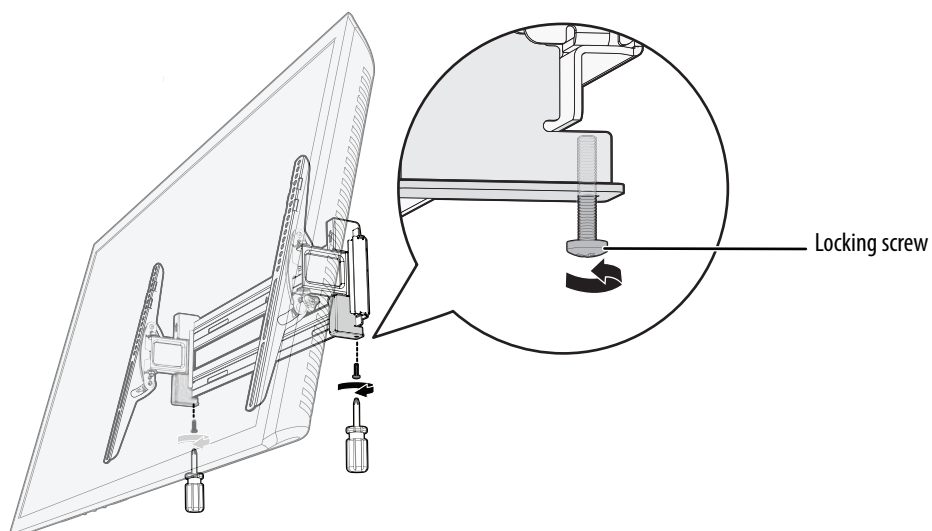
- 1 Extend the TV mount fully.



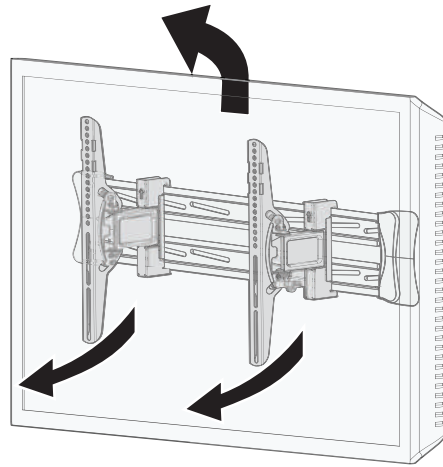
- 2 Remove all cables and connections.



- 3 Loosen the locking screws.



- 4 Pull out the bottom of the TV, then lift it off the wall plate.



90-DAY LIMITED WARRANTY

Definitions:

The Distributor* of Dynex branded products warrants to you, the original purchaser of this new Dynex-branded product ("Product"), that the Product shall be free of defects in the original manufacturer of the material or workmanship for a period of ninety (90) days from the date of your purchase of the Product ("Warranty Period").

For this warranty to apply, your Product must be purchased in the United States or Canada from a Best Buy branded retail store or online at www.bestbuy.com or www.bestbuy.ca and is packaged with this warranty statement.

How long does the coverage last?

The Warranty Period lasts for ninety (90) days from the date you purchased the Product. Your purchase date is printed on the receipt you received with the Product.

What does this warranty cover?

During the Warranty Period, if the original manufacture of the material or workmanship of the Product is determined to be defective by an authorized Dynex repair center or store personnel, Dynex will (at its sole option): (1) repair the Product with new or rebuilt parts; or (2) replace the Product at no charge with new or rebuilt comparable products or parts. Products and parts replaced under this warranty become the property of Dynex and are not returned to you. If service of Products or parts are required after the Warranty Period expires, you must pay all labor and parts charges. This warranty lasts as long as you own your Dynex Product during the Warranty Period. Warranty coverage terminates if you sell or otherwise transfer the Product.

How to obtain warranty service?

If you purchased the Product at a Best Buy retail store location or from a Best Buy online website (www.bestbuy.com or www.bestbuy.ca), please take your original receipt and the Product to any Best Buy store. Make sure that you place the Product in its original packaging or packaging that provides the same amount of protection as the original packaging.

To obtain warranty service, in the United States and Canada call 1-800-305-2204. Call agents may diagnose and correct the issue over the phone.

Where is the warranty valid?

This warranty is valid only in the United States and Canada at Best Buy branded retail stores or websites to the original purchaser of the product in the country where the original purchase was made.

What does the warranty not cover?

This warranty does not cover:

- Customer instruction/education
- Installation
- Set up adjustments
- Cosmetic damage
- Damage due to weather, lightning, and other acts of God, such as power surges
- Accidental damage
- Misuse
- Abuse
- Negligence
- Commercial purposes/use, including but not limited to use in a place of business or in communal areas of a multiple dwelling condominium or apartment complex, or otherwise used in a place of other than a private home.
- Modification of any part of the Product, including the antenna
- Display panel damaged by static (non-moving) images applied for lengthy periods (burn-in).
- Damage due to incorrect operation or maintenance
- Connection to an incorrect voltage or power supply
- Attempted repair by any person not authorized by Dynex to service the Product
- Products sold "as is" or "with all faults"
- Consumables, including but not limited to batteries (i.e. AA, AAA, C etc.)
- Products where the factory applied serial number has been altered or removed
- Loss or Theft of this product or any part of the product
- Display panels containing up to three (3) pixel failures (dots that are dark or incorrectly illuminated) grouped in an area smaller than one tenth (1/10) of the display size or up to five (5) pixel failures throughout the display. (Pixel based displays may contain a limited number of pixels that may not function normally.)
- Failures or Damage caused by any contact including but not limited to liquids, gels or pastes.

REPAIR REPLACEMENT AS PROVIDED UNDER THIS WARRANTY IS YOUR EXCLUSIVE REMEDY FOR BREACH OF WARRANTY. DYNEX SHALL NOT BE LIABLE FOR ANY INCIDENTAL OR CONSEQUENTIAL DAMAGES FOR THE BREACH OF ANY EXPRESS OR IMPLIED WARRANTY ON THIS PRODUCT, INCLUDING, BUT NOT LIMITED TO, LOST DATA, LOSS OF USE OF YOUR PRODUCT, LOST BUSINESS OR LOST PROFITS. DYNEX PRODUCTS MAKES NO OTHER EXPRESS WARRANTIES WITH RESPECT TO THE PRODUCT, ALL EXPRESS AND IMPLIED WARRANTIES FOR THE PRODUCT, INCLUDING BUT NOT LIMITED TO ANY IMPLIED WARRANTIES OF AND CONDITIONS OF MERCHANTABILITY AND FITNESS FOR A PARTICULAR PURPOSE, ARE LIMITED IN DURATION TO THE WARRANTY PERIOD SET FORTH ABOVE AND NO WARRANTIES, WHETHER EXPRESS OR IMPLIED, WILL APPLY AFTER THE WARRANTY PERIOD. SOME STATES, PROVINCES AND JURISDICTIONS DO NOT ALLOW LIMITATIONS ON HOW LONG AN IMPLIED WARRANTY LASTS, SO THE ABOVE LIMITATION MAY NOT APPLY TO YOU. THIS WARRANTY GIVES YOU SPECIFIC LEGAL RIGHTS, AND YOU MAY ALSO HAVE OTHER RIGHTS, WHICH VARY FROM STATE TO STATE OR PROVINCE TO PROVINCE.

Contact Dynex:

1-800-305-2204

www.dynexproducts.com

DYNEX is a trademark of Best Buy and its affiliated companies

*Distributed by Best Buy Purchasing, LLC

7601 Penn Ave South, Richfield, MN 55423 U.S.A.

©2020 Best Buy. All rights reserved

DYNEX™

Legrand Part Number: 6907-302048

For product inquiries, please contact us with the information below:

1-800-305-2204

www.dynexproducts.com

DYNEX is a trademark of Best Buy and its affiliated companies.

Distributed by Best Buy Purchasing, LLC

7601 Penn Ave South, Richfield, MN 55423 U.S.A.

©2020 Best Buy. All rights reserved.

V2 ENGLISH
20-0601