

Using the Microphone

Connect the included microphone to either of the two input jacks (1) on the unit. Turn on the unit and choose Bluetooth, AUX, or CDG modes using the Mode Selector (19).
 1. Slide the switch on the Microphone to ON. Now you can sing in any of the modes, and hear your voice through the speaker!
 2. When not in use, slide the Microphone switch to OFF. Unhook the removable slots on the side of the unit, to store your microphone, as shown in the image on the right.

CDG Mode

This unit plays CD, CDR, and CDG formats. To play a CD or CDR, turn on the unit and set the Mode Selector (19) to CDG.
 • Open the disc compartment on the front of the unit and insert the disc.
 • Use the controls to play/pause (6), stop (20), or navigate tracks (3-4). For CD/CDR formats, press & hold (3-4) to fast-rewind or fast-forward within current playing track.

- To play a CDG disc on your television:
 • Connect the included RCA cable (white and red connectors) to the RCA audio output jacks located at rear of the unit (23).
 • Connect the other end of the audio cable to the RCA audio input jacks on the television.
- Connect the RCA video cable (yellow connector) to the RCA video output jack located at rear of the unit (23).
- Connect the other end of the video cable to the RCA video input jack on the television and make sure your television is set to receive video from the unit.
- Turn on the unit and set the Mode Selector (19) to CDG.
 • Insert a CDG disc into the unit and press the Play/Pause Button (6). Now you can follow the lyrics on the screen and sing along.
 • Use the Previous Track (3) and Next Track (4) buttons to navigate tracks on the CDG.

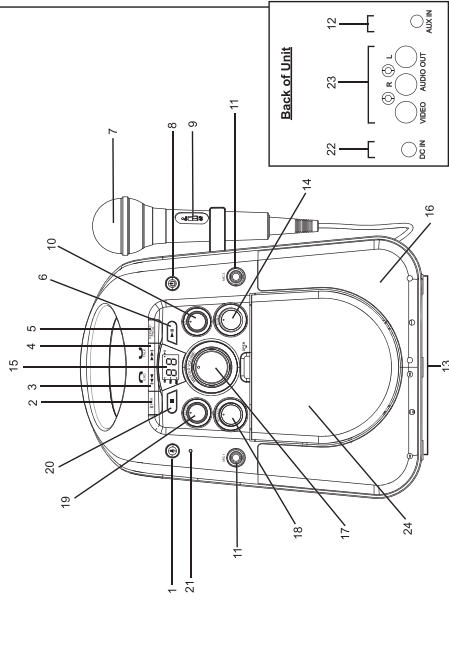
Repeat/Program Button

To repeat a track on your CD, press the Program/Repeat Button (5) on the unit. The Repeat LED indicator will blink. Press again to cancel the play mode.

You can also program up to 20 tracks of the CD in a desired order. With CD playback stopped, press the Program/Repeat Button (5) on the unit. The Repeat LED indicator blinks, and the LED display shows the program number.

Press the Previous Track (3) and Next Track (4) Buttons to select a track number. When the desired track number is selected, press the Program/Repeat Button (5) to enter it. To begin programmed playback, press the Play/Pause Button (6). To cancel programmed playback, press the STOP button twice.

- 7. Microphone
- 8. Power On/Off
- 9. Microphone On/Off
- 10. Microphone/Voice Control
- 11. Microphone Input
- 12. AUX Input
- 13. Color LEDs
- 14. Echo Rotary Dial
- 15. LED Screen + Indicators
- 16. Speaker
- 17. Master Volume
- 18. Microphone Volume
- 19. Mode Selector Dial
- 20. Stop Button
- 21. Speakerphone/Voice Control
- 22. AV Input
- 23. AV Output
- 24. CD Compartment



Vocal Effects

Use the AVC Rotary Dial (10) or the Echo Rotary Dial (14) to add vocal effects while you sing! Make sure your microphone is connected to the unit and the microphone switch is turned ON.

1. Turn on the unit and set the Mode Selector Dial to AUX.
2. Connect one end of the included audio cable into the AUX-IN jack and the other end to the headphone jack of your audio device.
3. Press PLAY on your audio device to start playback. Control/navigate tracks from your audio device, too.

AUX Mode

This unit has an AUX-IN jack, through this jack other audio sources (MP3 players, etc) can be connected to this unit and be amplified.

1. Turn on the unit and set the Mode Selector Dial to AUX.
2. Connect one end of the included audio cable into the AUX-IN jack and the other end to the headphone jack of your audio device.
3. Press PLAY on your audio device to start playback. Control/navigate tracks from your audio device, too.

Pairing Your Device Via Bluetooth

Make sure your Bluetooth device is fully charged. Turn on your Bluetooth device and turn on Bluetooth mode (check in Options or Settings).
 • Press and hold the Mode Selector Dial (19) in BT mode. Press and hold the Bluetooth Pairing Button (2) for 3 seconds. A tone will sound and the LED screen will flash 'bt' as the speaker enters pairing mode.
 • 'Karaoke 672.mdy' should appear on your device's screen. If 'Karaoke 672.mdy' is not visible, you may need to enter the passcode, enter '1234'.
 • Once paired, a confirmation tone will sound and 'bt' will glow on the LED screen. The speaker will now stream audio to the device OR the Play/Pause, Previous Track, and Next Track buttons on the unit to control audio functions.
 • Use your favorite karaoke apps while in BT mode, too!

Voice Control Button

When the unit is in BT mode, you can access Siri or Google Assistant via the Voice Control Button (1) for 3 seconds to activate Siri or Google Assistant via your paired smartphone. When you hear a confirmation tone, speak Voice Control Microphone (21) to make your voice commands.

Melody App

The Voice Control Button can be used to activate Melody, which lets you use voice commands to play any music from 'HeartRadio' or Spotify. To use this feature:
 • Download the Melody app on your smartphone using the App Store or Google Play.
 • Log into your account with your HeartRadio and/or Spotify account within the Melody app.
 • With the unit in BT mode, tap the Voice Control Button (1) to activate the Melody app via your paired smartphone.
 • Tap the Melody app icon on the screen to speak into the Voice Control Microphone (21) to make your voice commands.
 • If music is playing, tap the Voice Control Button once to Pause. To make a new voice command, press the Voice Control Button once, wait one second, then press it again.

*HeartRadio not available in Canada
 *Spotify Premium account required

Speakerphone

The unit is equipped with a speakerphone function that allows you to answer and end phone calls when connected via Bluetooth. This function can be used while in BT mode.

1. When your smartphone receives an incoming call, you will hear a ringtone. Press the Answer Call Button (4) to answer the call, and speak into the Speakerphone/Voice Control Microphone (21).
2. To end the call, press the Previous Track/End Call Button (3).