

# GEORGE FOREMAN®



## **5** serving CONTACT SUBMERSIBLE™ GRILL porciones PARRILLA DE CONTACTO SUBMERSIBLE™

USE AND CARE MANUAL  
MANUAL DE USO Y CUIDADO

GRECV075B  
GRECV075BZ



[www.georgeforemancooking.com](http://www.georgeforemancooking.com)

PLEASE READ AND SAVE THIS USE AND CARE BOOK.

## IMPORTANT SAFEGUARDS.

When using electrical appliances, always follow basic safety precautions to reduce the risk of fire, electric shock, and/or injury, including the following:

- Read all instructions.
- Do not touch hot surfaces. Use handles or knobs.
- Do not lift by probe or cord
- The appliance is not intended to be operated by means of an external timer or separate remote-control system.
- To protect against electrical shock do not immerse cord, plugs, or probe in water or other liquid.
- Close supervision is necessary when any appliance is used by or near children.
- Unplug from outlet when not in use and before cleaning. Allow to cool before putting on or taking off parts and before cleaning the appliance.
- Do not operate any appliance with a damaged cord or plug, or after the appliance malfunctions or has been damaged in any manner. Contact customer support or call the appropriate toll-free number in this manual.
- The use of accessory attachments not recommended by the appliance manufacturer may cause injuries.
- Do not use outdoors.
- Do not let cord hang over edge of table or counter, or touch hot surfaces.
- Do not lift by probe or cord
- Do not place on or near a hot gas or electric burner, or in a heated oven.
- Extreme caution must be used when moving an appliance containing hot oil or other hot liquids.
- Always attach plug to appliance first, then plug cord in the wall outlet. To disconnect, turn any control to "off", then remove plug from wall outlet.
- Do not use this appliance for other than intended use.
- The appliance is only to be operated in the closed position.
- This appliance is not intended for use by persons (including children) with reduced physical, sensory or mental capabilities, or lack of experience and knowledge, unless they have been given supervision or instruction concerning use of the appliance by a person responsible for their safety.
- Children should be supervised to ensure that they do not play with the appliance.

## SAVE THESE INSTRUCTIONS.

This product is for household use only.

### POLARIZED PLUG

This appliance has a polarized plug (one blade is wider than the other). To reduce the risk of electric shock, this plug is intended to fit into a polarized outlet only one way. If the plug does not fit fully into the outlet, reverse the plug. If it still does not fit, contact a qualified electrician. Do not attempt to modify the plug in any way.

### TAMPER-RESISTANT SCREW

Warning: This appliance is equipped with a tamper-resistant screw to prevent removal of the outer cover. To reduce the risk of fire or electric shock, do not attempt to remove the outer cover. There are no user-serviceable parts inside. Repair should be done only by authorized service personnel.

### ELECTRICAL CORD

a) A short power-supply cord is provided to reduce the risks resulting from becoming entangled in or tripping over a longer cord.  
b) Extension cords are available and may be used if care is exercised in their use.  
c) If an extension cord is used:

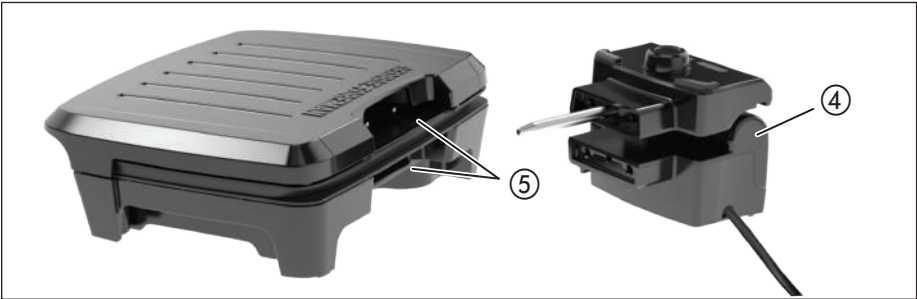
1) The marked electrical rating of the extension cord should be at least as great as the electrical rating of the appliance;

2) If the appliance is of the grounded type, the extension cord should be a grounding-type 3-wire cord; and

3) The cord should be arranged so that it will not drape over the counter top or tabletop where it can be pulled on by children or tripped over.

**Note:** If the power cord is damaged, please contact the warranty department listed in these instructions.

# GETTING TO KNOW YOUR GRILL



- 1. Variable temperature dial
- 2. Power indicator light
- 3. Preheat indicator light
- 4. Probe
- 5. Probe connections
- 6. Handle

- 7. Grill top
- 8. Grill bottom
- † 9. Nested drip tray

**Note:** † indicates consumer replaceable/removable parts.  
 Product may vary slightly from what is illustrated.

## HOW TO USE

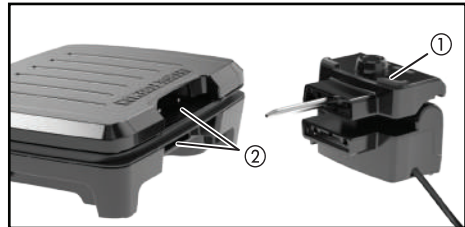
This product is for household use only.

### GETTING STARTED

- Remove all packing material, any stickers, and plastic bands around the power plug and unit before use.
- Remove and save literature.
- Please go to [www.prodprotect.com/georgeforeman](http://www.prodprotect.com/georgeforeman) to register your warranty.

### ASSEMBLING AND PREHEATING THE GRILL

- Align top housing with the bottom housing as shown.
- Align the probe (1) with the probe connections (2) and push the parts together until the probe is firmly inserted into both the top and bottom grill plate/housings.
- Once the grill is plugged in, the indicator light will turn on. If grill is not assembled correctly, the light will not turn on, the unit will not heat, and the probe will need to be inserted further into the grill.
- Slide drip tray under front of grill.
- Turn the variable temperature dial to the level you desire: minimum (left), medium (straight up) maximum (all the way to the right).
- Allow grill to preheat approximately 4½ minutes in the closed position before grilling. When grilling temperature is reached, the green preheat indicator light turns on.



### GRILLING

- Using a pot holder, carefully open the lid.

**Note:** Aerosol cooking spray should not be used on nonstick surface. Chemicals that allow spray to come out of a can build up on surface of grill plates and reduce their efficiency.

- Carefully place foods to be cooked on lower grilling plate. Close lid.

**Note:** Do not overload grill.

- Close cover and allow food to cook for desired time. (See cooking chart.)

**Note:** Always use heatproof plastic, nylon or wood utensils to avoid scratching nonstick surface of grill plates. Never use metal skewers, tongs, forks or knives.

- Using a potholder or oven mitts, carefully open the lid and remove the food.
- When finished cooking, unplug the appliance to cool it down.
- Allow drip tray to cool before removing it from under the grill.
- Allow unit to cool before removing probe and before washing.
- Wash and dry the drip tray and the grill top and bottom after each use.

### USING ADJUSTABLE COOKING HEIGHT

This grill has a unique hinge that allows the grill cover to adjust to the thickness of food. For even browning and cooking, when grilling more than one sandwich or piece of meat, it is important that the thickness of each be about the same.

### USING THE VARIABLE TEMPERATURE DIAL

The Minimum setting (left) is 300°F, the Medium (straight up) setting is 350°F, and the Max (far right) setting is 400°F. If you don't know what temperature you wish to grill at, try a medium setting. You may later adjust the temperature to be lower (left) or higher (right) to your preference.

### SUGGESTED COOKING CHART

The cooking times and temperatures in the below chart are meant to be used as a guideline only. Cooking time will depend upon the food thickness and cut being used. **Grill was set on the highest (Max) temperature for cook times listed below.** Use a meat thermometer to test for doneness by inserting the thermometer into the thickest portion of the meat. For reasons of personal preference, you may choose to cook food to a higher temperature.



#### BEEF BURGER PATTY (8 OZ)

Grill time : 4-7 min.  
Cooked to 145°F



#### BRATS (UNCOOKED)

Grill time : 12-15 min.  
Cooked to 160°F



#### CHICKEN BREAST (6 OZ)

Grill time : 9-13 min.  
Cooked to 165°F



#### SALMON (8 OZ)

Grill time : 7-10 min.  
Cooked to 145°F



#### NEW YORK STRIP (12 OZ)

Grill time : 6-9 min.  
Cooked to 145°F



#### BACON (THICK CUT)

Grill time : 10-15 min.  
Cook to desired crispness



#### PORK CHOP (4 OZ)

Grill time : 4-7 min.  
Cooked to 145°F



#### VEGETABLES

Grill time : 6-9 min.  
Cooked to desired doneness

## CARE AND CLEANING

**Caution:** To avoid accidental burns, allow your grill to cool completely before disassembling and cleaning.

This product contains no user serviceable parts. Refer service to qualified service personnel.

- Thoroughly clean all parts after each use.
- Avoid particle buildup in probe connection areas.

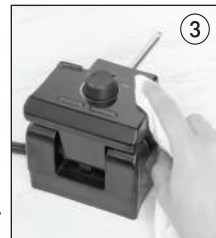
### HOW TO REMOVE PROBE FOR DISHWASHING (DISASSEMBLE)

1. Push the probe away from the grill with one or two thumps by using the ridges on top of the panel as a grip.



**Note:** You can also disassemble by holding on to the back of the probe and pulling away from the grill while also holding on to the handle of the grill with the other hand. However, this will require a bit more force than pushing away with your thumbs.

2. Probe will fully come out and separate from the plates.
3. **Probe should not get wet:** wipe with a damp cloth and dry thoroughly.



4. Empty the drip tray.
5. Wash these parts in warm water with dish soap or in a dishwasher (can fully submerge the grill):

- grill top
- grill bottom
- drip tray (dishwasher top rack only)

6. Thoroughly dry all parts before putting back together.

- DO NOT use steel wool, scouring pads or abrasive cleaners on any part of the grill.



7. Re-assemble by reinserting the probe. (follow assembly instructions)
8. For storage, loosely wrap the cord around the probe.
9. The unit can store vertically, resting on the probe.



# RECIPE

## BACON WRAPPED CHEESE STUFFED BURGER

Prep Time: 5 minutes

Cooking Time: 8-10 minutes

Total Time: 13-15 minutes

Servings: 4 burgers

### Ingredients:

- 1-pound 80/20 ground beef
- 1 envelope of French Onion Soup dry mix
- 1 tbsp Worcestershire sauce
- 1 egg
- ½ medium onion; finely diced
- 1 tbsp minced garlic
- 2 tbsp Dijon, whole grain, or brown mustard
- ¼ cup breadcrumbs
- 2 ounces of sharp cheddar cheese; cut from a block; cubed into ½ inch chunks
- 8 slices of bacon
- 4 hamburger buns
- 4 slices of tomato
- 4 slices of red onion
- 4 pieces of iceberg lettuce

### Directions:

1. Put ground beef, soup mix, Worcestershire sauce, egg, finely diced onion, garlic, mustard, and breadcrumbs in a medium bowl. Mix until well blended using either your hands or with a wooden spoon.
2. Divide the beef mixture into four even amounts. Form those 4 pieces into balls and put a dent into the center of the ball and place a cube of cheese in the dent. Gently fold the rest of the ball around the cheese cube and seal the edges so the cheese will stay inside of burger. Set them burgers aside.
3. Using 2 of the slices of bacon, lay one slice horizontally over the top of the burger and lay the other slice vertically over the burger. Tuck the ends under the burger. It should look like a bacon cross on the burger. Repeat with the other burgers until they are all wrapped in the bacon.
4. Preheat the grill to the highest heat setting that you can. Once the grill is preheated, place 2 of the burgers on the grill and gently close the lid. The burgers will take about 8-10 minutes to cook. Repeat with the remaining burgers.
5. Once the burgers are cooked to the desired internal temperature, place on a bun and top with lettuce, tomato & onion.

# WARRANTY AND CUSTOMER SERVICE INFORMATION

For support or any questions regarding your appliance, call the appropriate 800 number listed within this section. Please DO NOT return the product to the place of purchase. Also, please DO NOT mail product back to manufacturer, nor bring it to a service center. You may also want to consult our Product Protection Center at [www.prodprotect.com/georgeforeman](http://www.prodprotect.com/georgeforeman).

## **Three-Year Limited Warranty**

(Applies only in the United States and Canada)

### **What does my warranty cover?**

Your warranty covers any defect in material or workmanship provided; however, the liability of Spectrum Brands Inc. will not exceed the purchase price of product.

### **How long is the warranty period?**

Your warranty extends three years from the date of original purchase with proof of purchase.

### **What support does my warranty provide?**

Your warranty provides you with a reasonably similar replacement product that is either new or factory refurbished.

### **How do you get support?**

Save your receipt as proof of date of sale.

- Visit the online service website at [www.prodprotect.com/georgeforeman](http://www.prodprotect.com/georgeforeman), or call toll-free 1-800-947-3745, for general warranty service.
- If you need parts or accessories, please call 1-800-738-0245.

### **How does state law affect my warranty?**

This warranty gives you specific legal rights. You may also have other rights that vary from state to state or province to province.

### **What does my warranty not cover?**

Damage from commercial use

- Damage from misuse, abuse or neglect
- Products that have been modified in any way
- Products used or serviced outside the country of purchase
- Glass parts and other accessory items that are packed with the unit
- Shipping and handling costs associated with the replacement of the unit
- Consequential or incidental damages (Please note, however, that some states do not allow the exclusion or limitation of consequential or incidental damages, so this limitation may not apply to you.)

### **Are there additional warranty exclusions?**

**This warranty shall not be valid where it is contrary to U.S. and other applicable laws, or where the warranty would be prohibited under any economic sanctions, export control laws, embargos, or other restrictive trade measures enforced by the United States or other applicable jurisdictions. This includes, without limitation, any warranty claims implicating parties from, or otherwise located in, Cuba, Iran, North Korea, Syria and the disputed Crimea region.**



POR FAVOR LEA ESTE INSTRUCTIVO ANTES DE USAR EL PRODUCTO.

# INSTRUCCIONES IMPORTANTES DE SEGURIDAD.

Al utilizar cualquier aparato eléctrico siempre deben tomarse precauciones básicas de seguridad, incluyendo las siguientes:

- Lea todas las instrucciones.
- No toque las superficies calientes. Use las asas o las perillas.
- Este aparato no está diseñado para funcionar a través de un reloj automático externo o con un sistema de control remoto separado.
- A fin de protegerse contra un choque eléctrico y lesiones a las personas, no sumerja el cable, los enchufes ni el aparato en agua ni en ningún otro líquido.
- Todo aparato eléctrico usado en la presencia de los niños o por ellos mismos requiere la supervisión de un adulto.
- Desconecte el aparato del tomacorriente cuando no esté en uso y antes de limpiarlo. Espere que el aparato se enfríe antes de instalarle o retirarle piezas y antes de limpiarlo.
- No use ningún aparato eléctrico que tenga el cable o el enchufe averiado, que presente un problema de funcionamiento o que este dañado. Acuda a un centro de servicio autorizado para que lo examinen, reparen o ajusten. O bien, llame al número gratuito apropiado que aparece en la portada de este manual.
- El uso de accesorios no recomendados por el fabricante del aparato puede ocasionar incendio, choque eléctrico o lesiones a las personas.
- No use este aparato a la intemperie.
- No permita que el cable cuelgue del borde de la mesa o del mostrador ni que entre en contacto con superficies calientes.
- No coloque el aparato sobre ni cerca de las hornillas de gas o eléctricas ni adentro de un horno caliente.
- No alce por la sonda ni el cable
- Tome mucha precaución al mover de un lugar a otro un aparato que contenga aceite u otros líquidos calientes.
- Siempre conecte el enchufe primero y después enchufe el cable en el tomacorriente. Para desconectar, gire todo control a la posición de "apagado", luego retire el enchufe del tomacorriente.
- Este aparato se debe usar únicamente con el fin previsto.
- Este aparato se debe ser utilizado cerrado solamente
- Este aparato no está diseñado para ser usado por personas (incluido niños) con capacidad limitada física, mental o sensoriales disminuidas y falta de experiencia o conocimiento que les impida utilizar el aparato con toda seguridad sin supervisión o instrucción.
- Se debe asegurar la supervisión de los niños para evitar que usen el aparato como juguete.

## CONSERVE ESTAS INSTRUCCIONES.

Este aparato eléctrico es para uso doméstico solamente.

### ENCHUFE POLARIZADO

Este aparato cuenta con un enchufe polarizado (un contacto es más ancho que el otro). A fin de reducir el riesgo de un choque eléctrico, este enchufe encaja en un tomacorriente polarizada en un solo sentido. Si el enchufe no entra en el tomacorriente, inviértalo y si aun así no encaja, consulte con un electricista. Por favor no trate de alterar esta medida de seguridad.

### TORNILLO DE SEGURIDAD

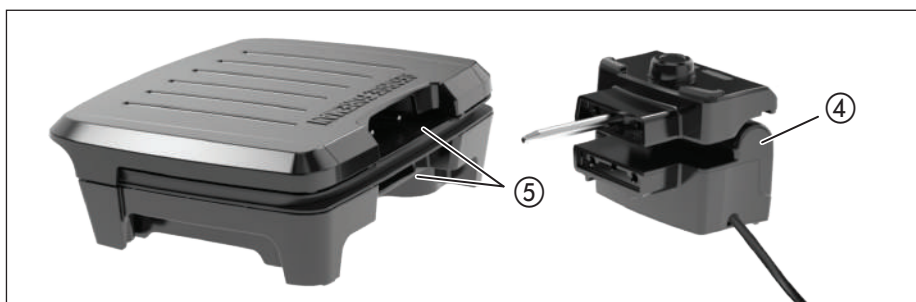
**Advertencia:** Este aparato cuenta con un tornillo de seguridad para evitar la remoción de la cubierta exterior del mismo. A fin de reducir el riesgo de incendio o de choque eléctrico, por favor no trate de remover la cubierta exterior. Este producto no contiene piezas reparables por el consumidor. Toda reparación se debe llevar a cabo únicamente por personal de servicio autorizado.

### CABLE ELÉCTRICO

- a) Un cable de alimentación corto es provisto para reducir los riesgos de enredarse o tropezar con un cable más largo.
- b) Existen cables de extensión disponibles y estos pueden ser utilizados si se toma el cuidado debido en su uso.
- c) Si se utiliza un cable de extensión:
  - 1) La clasificación eléctrica marcada del cable de extensión debe ser, como mínimo, igual a la clasificación eléctrica del aparato;
  - 2) Si el aparato es del tipo de conexión a tierra, el cable de extensión debe ser un cable de tres alambres de conexión a tierra; y
  - 3) El cable debe ser acomodado de manera que no cuelgue del mostrador o de la mesa para evitar que un niño tire del mismo o que alguien se tropiece sin darse cuenta.

**Nota:** Si el cable de alimentación está dañado, por favor llame al número del departamento de garantía que aparece en estas instrucciones.

# CONOZCA SU PARRILLA



1. Dial para ajustar la temperatura
2. Luz indicadora de funcionamiento (POWER)
3. Luz indicadora de precalentamiento
4. Enchufe de la sonda
5. Conexiones de sonda
6. Asa

7. Tapa de la parrilla
8. Placa de la parrilla
- † 9. Bandeja de goteo encajable

**Nota:** † indica piezas desmontables/ reemplazables por el consumidor.

El producto puede variar ligeramente del que aparece ilustrado.

## COMO USAR

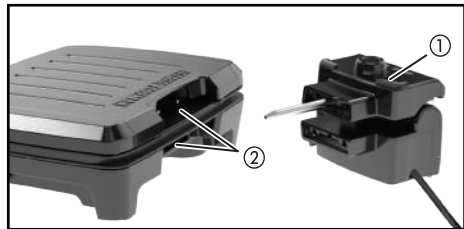
Este producto es para uso doméstico solamente.

### PASOS PRELIMINARES

- Retire todo material de empaque y cualquier etiqueta adherida al producto.
- Retire y conserve toda literatura.
- Por favor visite el sitio [www.prodprotect.com/georgeforeman](http://www.prodprotect.com/georgeforeman) para registrar su garantía.

### PRECALENTAMIENTO DE LA PARRILLA

- Alinee la caja superior con la caja inferior, como se muestra.
- Alinee la sonda (1) con las conexiones de la sonda (2) y empuje las piezas juntas hasta que la sonda esté insertada firmemente dentro de la placa/ caja superior e inferior.
- Cuando la parrilla esté enchufada, la luz indicadora se encenderá. Si la parrilla no está ensamblada correctamente, la luz no se enciende, la unidad no calentará y será necesario insertar la sonda más adentro de la parrilla.
- Deslice la bandeja de goteo debajo de la parte frontal de la parrilla.
- Gire el dial de temperatura variable al nivel deseado: mínimo (hacia la izquierda), medio (directo hacia arriba) y máximo (completamente hacia la derecha).
- Permita que la parrilla se precaliente 4½ minutos antes de asar. La luz indicadora de precalentamiento (verde) se enciende cuando la parrilla haya alcanzado la temperatura deseada.



### ALIMENTOS A LA PARRILLA

- Con un agarrador de cocina, abra cuidadosamente la parrilla precalentada.

**Nota:** Nunca use rociadores de cocinar sobre las superficies antiadherentes de las placas. Los químicos de los rociadores, se acumulan en las superficies y reducen la eficiencia de las placas.

- Coloque cuidadosamente los alimentos que desea cocinar en la placa

inferior de la parrilla precalentada. Cierre la tapa.

**Nota:** No sobrecargue la placa de cocción.

- Cierre la tapa y permita que los alimentos se cocinen el tiempo deseado.

**Nota:** Utilice siempre utensilios de plástico, nailon o madera que sean resistentes al calor para no rayar la superficie antiadherente de las placas.

Nunca utilice pinchos de metal, pinzas, tenedores o cuchillos.

- Utilizando una agarradera para ollas o guantes de cocina, abra cuidadosamente la tapa y retire los alimentos.
- Cuando haya terminado la cocción, desenchufe el aparato para enfriarlo.
- Espere a que la bandeja de goteo se enfríe antes de sacarla de debajo de la parrilla.
- Espere a que la unidad se enfríe antes de retirar la sonda y antes de limpiarla.
- Lave y seque la bandeja de goteo y la parte superior e inferior de la parrilla después de cada uso.

## **CÓMO UTILIZAR EL SOPORTE PARA LA PARRILLA DE DOBLE POSICIÓN**

1. Para cocinar alimentos de manera inclinada como hamburguesas o pollo: Desdoble el soporte para la parrilla de doble posición hacia afuera. (A)
2. Para cocinar alimentos de manera horizontal como emparedados o perros calientes: Doble el soporte para almacenarlo debajo de la parrilla.

## **USO DEL CONTROL DE TEMPERATURA VARIABLE**

El ajuste de temperatura mínima (al extremo izquierdo) es 300°F, el ajuste mediano (en el centro) es 350°F y el ajuste de temperatura máxima es 400°F. Si no sabe a que temperatura desea cocinar, trate el ajuste de temperatura mediana (el ajuste de temperatura en el centro). Más tarde puede ajustar la temperatura a más baja (hacia la izquierda) o más alta (hacia la derecha) según su preferencia.

## **TABLA DE COCCIÓN SUGERIDA**

Los tiempos de cocción y las temperaturas en la siguiente tabla se deben utilizar sólo como una guía. El tiempo de cocción dependerá del grosor de los alimentos y el corte de carne utilizado. Utilice un termómetro para carnes para comprobar el punto de cocción del alimento, insertando el termómetro en la parte más gruesa de la carne. Por razones de preferencia personal, usted puede optar por cocinar los alimentos a una temperatura más alta.



### HAMBURGESAS (8 ONZAS)

Tiempo de cocción : 4-7 minutos  
Cocinado a 145°F



### BRATS (UNCOOKED)

Tiempo de cocción : 12-15 minutos  
Cocinado a 160°F



### PECHUGA DE POLLO (6 ONZAS)

Tiempo de cocción : 9-13 minutos  
Cocinado a 165°F



### SALMÓN (8 ONZAS)

Tiempo de cocción : 7-10 minutos  
Cocinado a 145°F



### BISTECS (12 ONZAS)

Tiempo de cocción : 6-9 minutos  
Cocinado a 145°F



### TOCINO

Tiempo de cocción : 10-15 minutos  
Cocinado al crujido deseado



### CHULETAS DE CERDO (4 ONZAS)

Tiempo de cocción : 4-7 minutos  
Cocinado a 145°F



### VEGETALES

Tiempo de cocción : 6-9 minutos  
Cocinado al punto de cocción  
deseado

## CUIDADO Y LIMPIEZA

**Precaución:** Para evitar quemaduras, deje que la parrilla se enfrie por completo antes de limpiarla.

Este producto no contiene piezas reparables por el consumidor. Para servicio, por favor acuda a personal calificado.

- Limpiar a fondo todas las piezas después de cada uso.
- Evite la acumulación de partículas en las áreas de conexión de la sonda.

## CÓMO RETIRAR LA SONDA PARA LAVARLA EN LA MÁQUINA LAVAPLATOS

1. Empuje la sonda fuera de la parrilla dándole uno o dos golpes, usando una de las hendiduras encima del panel como agarre.

**Nota:** También puede desensamblar sujetando la parte posterior de la sonda y tirando de la misma hacia fuera de la parrilla mientras que con la otra mano también sujeta el asa de la parrilla. Sin embargo, esto requerirá ejercer un poco más de fuerza que empujando hacia afuera con sus dedos gordos.

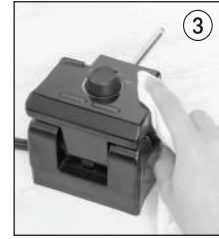


2. La sonda saldrá completamente y se separará de las placas.

3. **La sonda no debe mojarse:** límpiela con un paño húmedo y séquela bien.
4. Vacíe la bandeja de grasa
5. Lave estas piezas en agua caliente con líquido de fregar o en una máquina lavaplatos (puede sumergir por completo la parrilla):

- Tapa de la parrilla
- Placa de la parrilla
- Bandeja de goteo encajable (máquina lavaplatos, solo en la rejilla superior)

6. Seque bien todas las piezas antes de ensamblarlas. **NO USE** estropajos de aluminio, esponjillas para fregar o limpiadores abrasivos en ninguna parte de la parrilla.
7. Vuelva a ensamblar, insertando de nuevo la sonda. (siga las instrucciones de montaje)
8. Para guardar, enrolle holgadamente el cable alrededor de la sonda.
9. La unidad se puede guardar en posición vertical, descansando sobre la sonda.



## RECETA

### HAMBURGUESA RELLENADA CON QUESO Y ENVUELTA EN TOCINO

Tiempo de preparación: 5 minutos

Tiempo de cocción: 8 a 10 minutos

Tiempo total: 13 a 15 minutos

Porciones: 4 hamburguesas

#### Ingredientes:

1 libra de carne molida 80/20

1 sobre de mezcla de sopa de cebolla francesa seca

1 cucharada de salsa Worcestershire

1 huevo

1 cucharada de ajo picado

2 cucharadas de mostaza Dijon, grano entero o mostaza marrón

1/4 de taza de migas de pan

2 onzas de queso cheddar de sabor fuerte, cortado de un bloque, cortado en cubos de 1/2 pulgada

8 tiras de tocino

4 panes de hamburguesa

4 rebanadas de tomate

4 rebanadas de cebolla roja

4 pedazos de hoja de lechuga

#### Preparación:

1. Coloque la carne molida, mezcla de sopa, salsa Worcestershire, el huevo, la cebolla roja picada finamente, el ajo, la mostaza y las migas de pan en un recipiente mediano. Mezcle hasta que estén bien mezclados usando sus manos o una cuchara de madera.
2. Divida la mezcla de carne en cuatro porciones uniformes. Forme las 4 piezas en bolas y haga un hundido en el centro de la bola y coloque un cubo de queso en la hendidura. Incorpore suavemente el resto de las bolas alrededor del cubo de queso y selle los bordes de manera que el queso se mantenga dentro de la hamburguesa. Deje las hamburguesas a un lado.
3. Utilizando 2 tiras de tocino, coloque una tira plana encima de la hamburguesa y coloque la otra tira en posición vertical sobre la hamburguesa. Pliegue los extremos debajo de la hamburguesa. Debe lucir como una cruz de tocino sobre la hamburguesa. Repita con las otras hamburguesas hasta que todas estén envueltas en el tocino.
4. Precaliente la parrilla al ajuste de temperatura más alta posible. Una vez que la parrilla esté precalentada, coloque 2 hamburguesas en la parrilla y cierre la tapa suavemente. Las hamburguesas tomarán de 8 a 10 minutos para cocinarse. Repita con el resto de las hamburguesas.
5. Una vez que las hamburguesas estén cocinadas a la temperatura deseada, colóquelas sobre pan y cúbrala con lechuga y cebolla.

# INFORMACIÓN DE GARANTÍA Y SERVICIO AL CLIENTE

Para servicio, reparaciones o preguntas relacionadas al producto, por favor llame al número del centro de servicio que se indica para el país donde usted compró su producto. NO devuelva el producto al fabricante. Llame o lleve el producto a un centro de servicio autorizado. Usted también puede consultar a nuestro Centro de Protección del Producto en [www.prodprotect.com/georgeforeman](http://www.prodprotect.com/georgeforeman).

## Tres Años de Garantía Limitada

(No aplica en México, Estados Unidos y Canada)

### ¿Qué cubre mi garantía?

- Su garantía cubre cualquier defecto de material o de mano de obra, siempre y cuando la responsabilidad de Spectrum Brands, Inc. no exceda el precio de compra del producto.

### ¿Por cuánto tiempo es válida la garantía?

- Su garantía se extiende por tres años a partir de la fecha original de compra mientras que tenga una prueba de la compra.

### ¿Qué tipo de asistencia provee mi garantía?

- Su garantía le brinda un producto de reemplazo similar que sea nuevo o que ha sido restaurado de fábrica.
- ¿Cómo se puede obtener asistencia?
- Conserve el recibo original de compra.
- Para servicio al cliente y para registrar su garantía, visite [www.prodprotect.com/georgeforeman](http://www.prodprotect.com/georgeforeman), o llame al número 1-800-947-3745, para servicio al cliente
- Por favor llame al número del centro de servicio autorizado. 1-800-738-0245.

### ¿Cómo afecta a mi garantía la ley estatal?

- Esta garantía le otorga derechos legales específicos y el consumidor podría tener otros derechos que varían de una región a otra.

### ¿Qué no cubre mi garantía?

- Los productos que han sido utilizados en condiciones distintas a las normales.
- Los daños ocasionados por el mal uso, el abuso o negligencia.
- Los productos que han sido alterados de alguna manera.
- Los daños ocasionados por el uso comercial del producto.
- Los productos utilizados o reparados fuera del país original de compra.
- Las piezas de vidrio y demás accesorios empacados con el aparato.
- Los gastos de tramitación y embarque asociados al reemplazo del producto.
- Los daños y perjuicios indirectos o incidentales.

### ¿Existen exclusiones de garantía adicionales?

- **Esta garantía no será válida donde exista oposición a EE.UU. y otras leyes aplicables, o donde la garantía sería prohibida bajo cualquier sanción económica, ley de control de exportación, embargo u otra medida comercial impuesta por los Estados Unidos u otras jurisdicciones aplicables. Esto incluye, sin limitación, cualquier reclamo de garantía que implique partes de, u de otro modo localizadas en, Cuba, Irán, Corea del Norte, Siria y la región disputada de Crimea.**



# PÓLIZA DE GARANTÍA

(Válida sólo para México)

## Duración

Spectrum Brands de México SA de CV garantiza este producto por 3 años a partir de la fecha original de compra.

## ¿Qué cubre esta garantía?

- Esta Garantía cubre cualquier defecto que presenten las piezas, componentes y la mano de obra contenidas en este producto.
- Requisitos para hacer válida la garantía
- Para reclamar su Garantía deberá presentar al Centro de Servicio Autorizado la póliza sellada por el establecimiento en donde adquirió el producto. Si no la tiene, podrá presentar el comprobante de compra original.

## ¿Dónde hago válida la garantía?

- Llame sin costo al teléfono 01 800 714 2503, para ubicar el Centro de Servicio Autorizado más cercano a su domicilio en donde usted podrá encontrar partes, componentes, consumibles y accesorios.

## Procedimiento para hacer válida la garantía

Acuda al Centro de Servicio Autorizado con el producto con la póliza de Garantía sellada o el comprobante de compra original, ahí se reemplazará cualquier pieza o componente defectuoso sin cargo alguno para el usuario final. Esta Garantía incluye los gastos de transportación que se deriven de su cumplimiento.

## Excepciones

Esta Garantía no será válida cuando el producto:

- A) Se hubiese utilizado en condiciones distintas a las normales.
- B) No hubiese sido operado de acuerdo con el instructivo de uso que le acompaña.
- C) Cuando el producto hubiese sido alterado o reparado por personas no autorizadas por Spectrum Brands de México SA de CV.

**Nota:** Usted podrá encontrar partes, componentes, consumibles y accesorios en los centros de servicios autorizados. Esta garantía incluyen los gastos de transportación que se deriven de sus cumplimiento dentro de sus red de servicio.

## ¿Existen exclusiones de garantía adicionales?

- **Esta garantía no será válida donde exista oposición a EE.UU. y otras leyes aplicables, o donde la garantía sería prohibida bajo cualquier sanción económica, ley de control de exportación, embargo u otra medida comercial impuesta por los Estados Unidos u otras jurisdicciones aplicables. Esto incluye, sin limitación, cualquier reclamo de garantía que implique partes de, u de otro modo localizadas en, Cuba, Irán, Corea del Norte, Siria y la región disputada de Crimea.**

## ¿NECESITA AYUDA?

### **Garantía limitada de TRES años**

**(Solamente aplica en los Estados Unidos y el Canadá).**

Para servicio, reparaciones o cualquier pregunta sobre su electrodoméstico, por favor llame a nuestra Línea de Servicio al Cliente al 1-800-947-3745. Por favor, NO devuelva el producto al lugar donde lo compró. Además, por favor NO envíe el producto por correos al fabricante ni lo lleve a un centro de servicio. También puede consultar el sitio web que aparece en la portada de este manual.

### **¿Qué cubre mi garantía?**

- Su garantía cubre cualquier defecto de material o de mano de obra, siempre y cuando la responsabilidad de Spectrum Brands, Inc. no exceda el precio de compra del producto.

### **¿Por cuánto tiempo es válida la garantía?**

- Su garantía se extiende por tres años a partir de la fecha original de compra mientras que tenga una prueba de la compra.

### **¿Qué tipo de asistencia provee mi garantía?**

- Su garantía le brinda un producto de reemplazo similar que sea nuevo o que ha sido restaurado de fábrica.

### **¿Cómo se puede obtener asistencia?**

- Conserve el recibo original de compra.
- Para servicio al cliente y para registrar su garantía, visite [www.prodprotect.com/georgeforeman](http://www.prodprotect.com/georgeforeman), o llame al número **1-800-947-3745**, para servicio al cliente
- Por favor llame al número del centro de servicio autorizado. **1-800-738-0245**.

### **¿Cómo afecta a mi garantía la ley estatal?**

- Esta garantía le otorga derechos legales específicos y el consumidor podría tener otros derechos que varían de una región a otra.
- Los productos que han sido utilizados en condiciones distintas a las normales.
- Los daños ocasionados por el mal uso, el abuso o negligencia.
- Los productos que han sido alterados de alguna manera.
- Los daños ocasionados por el uso comercial del producto.
- Los productos utilizados o reparados fuera del país original de compra.
- Las piezas de vidrio y demás accesorios empacados con el aparato.
- Los gastos de tramitación y embarque asociados al reemplazo del producto.
- Los daños y perjuicios indirectos o incidentales.

### **¿Existen exclusiones de garantía adicionales?**

- **Esta garantía no será válida donde exista oposición a EE.UU. y otras leyes aplicables, o donde la garantía sería prohibida bajo cualquier sanción económica, ley de control de exportación, embargo u otra medida comercial impuesta por los Estados Unidos u otras jurisdicciones aplicables. Esto incluye, sin limitación, cualquier reclamo de garantía que implique partes de, u de otro modo localizadas en, Cuba, Irán, Corea del Norte, Siria y la región disputada de Crimea.**

Por favor llame al número correspondiente que aparece en la lista a continuación para solicitar que se haga efectiva la garantía y donde Ud. puede solicitar servicio, reparaciones o partes en el país donde el producto fué comprado.

#### **Argentina**

Atención al consumidor  
0800 444 7296  
Horario de atención:  
Lunes a viernes de 9 a 13 hs  
y de 14.30 a 17 hs.  
email: servicios@spectrumbrands.com  
Humboldt 2495 piso 3  
C.A.B.A. - Argentina

#### **Bolivia**

Atención al consumidor La Paz: c. Villalobos  
N°100 esq. Busch, Miraflores. Tel. (02)  
2224924 Santa Cruz: Av. Paraguá C. Socoris  
N°2415 (03) 3602002 Cochabamba: c.  
Uruguay N°211 esq. Nataniel Aguirre (04)  
4501894

#### **Chile**

Atención al consumidor  
Inversiones la Mundial Ltda.  
Dirección: Libertad 790,  
Santiago de Chile.  
Teléfonos: +56 226820217 - 226810032

#### **Colombia**

Spectrum Brands Corp, S.A.S.  
Transversal 23 # 97-73  
Oficinas 403-404-405,  
Bogotá, Colombia  
Línea Servicio al Cliente: 018000510012

#### **Costa Rica**

Aplicaciones Electromecánicas  
Calle 22 y 24 en Avenida 3 BLV de la torre  
Mercedes Benz  
200 mts norte y 50 mts este  
San José, Costa Rica  
Tel. (506) 2257-5716

#### **Ecuador**

Servicio Master  
Dirección: Capitán Rafael  
Ramos OE 1-85 y Galo plaza Iasso.  
Tel (593) 2281-3882 / 2240-9870

#### **El Salvador**

Sede black  
Calle San Antonio Abad, Colonia Lisboa  
No 2936  
San Salvador, Depto. de San Salvador  
Tel. (503) 2284-8374

#### **Guatemala**

Kinal  
17 avenida 26-75, zona 11 Centro  
comercial Novicentro,  
Local 37 - Ciudad  
Guatemala  
Tel. (502)-2476-7367

#### **Honduras**

Serviteca  
San Pedro Sula, B Los Andes, 2 calle-entre  
11-12 Avenida  
Honduras  
Tel. (504) 2550-1074

#### **México**

Artículo 123 # 95 Local 109 y 112  
Col. Centro, Cuauhtemoc,  
México, D.F.  
Tel. 01 800 714 2503

#### **Nicaragua**

LRM ELECTRONICA  
Managua - Sinsa Altamira 1.5  
kilómetros al norte  
Nicaragua  
Tel. (505) 2270-2684

#### **Panamá**

Supermercados  
Centro comercial El dorado, Plaza  
Dorado, Local 2.  
Panama  
Tel. (507) 392-6231

#### **Perú**

Servicio Central Fast Service  
Av. Angamos Este 2431  
San Borja, Lima Perú  
Tel. (511) 2251 388

#### **Puerto Rico**

Buckeye Service  
Jesús P. Piñero #1013  
Puerto Nuevo, SJ PR 00920  
Tel.: (787) 782-6175

#### **Republica Dominicana**

Prolongación Av. Rómulo  
Betancourt  
Zona Industrial de Herrera  
Santo Domingo, República  
Dominicana  
Tel.: (809) 530-5409

#### **Venezuela**

Inversiones BDR CA  
Av. Casanova C.C.  
City Market Nivel Plaza Local 153  
Diagonal Hotel Melia,  
Caracas.  
Tel. (582) 324-0969

Sello del Distribuidor:  
Fecha de compra:  
Modelo:

**Código de fecha / Date Code / Le code de date :**

GRECV075B 1300W 120 V ~ 60 Hz  
GRECV075BZ 1300W 120 V ~ 60 Hz

**Comercializado por:**

Spectrum Brands de México,  
SA de C.V Avenida 1° de Mayo No. 120  
Piso 7, Oficina 702.  
Colonia San Andres Atoto,  
C.P. 53500 Naucalpan de Juárez,  
Estado de México, México

**SERVICIO Y REPARACIÓN**

Art. 123 No. 95 Col. Centro, C.P. 06050 Deleg.  
Cuauhtemoc Servicio al Consumidor, Venta de  
Refacciones y Accesorios 01 800 714 2503

**Importado y Distribuido por:**

SPECTRUM BRANDS ARGENTINA S.R.L  
Av. Del Libertador 6810,  
piso 2 dpto. A  
1429, CABA, Argentina  
+ 54 11 5353-9500  
CUIT: 30-70706168-1  
Importador N° # 76983

**IMPORTADO POR / IMPORTED BY:**

AIDISA BOLIVIA S.A.  
Av. Chacaltaya No. 2141- Zona  
Achachicala La Paz, Bolivia.

USA/Canada 1-800-947-3745  
Accessories/Parts 1-800-738-0245  
Register your product at [www.prodprotect.com/  
georgeforeman](http://www.prodprotect.com/georgeforeman)

EE.UU./Canadá 1-800-947-3745  
Accesorios/Partes 1-800-738-0245  
Registre su producto a [www.prodprotect.com/  
georgeforeman](http://www.prodprotect.com/georgeforeman)

Made in China.  
Fabricado en China.

® Registered Trademark and ™ Trademark of Spectrum Brands, Inc.

Los símbolos ® y ™, respectivamente, indicant una marca registrada y una marca  
comercial de Spectrum Brands, Inc.

© 2022 Spectrum Brands Inc, All rights reserved/ Todos los derechos reservados  
Spectrum Brands Inc., Middleton, WI 53562

COMERCIALIZADO POR:  
SPECTRUM BRANDS DE MEXICO, S.A. DE C.V.  
Avenida 1° de Mayo No. 120 Piso 7, Oficina 702.  
Colonia San Andres Atoto, C.P.53500 Naucalpan de  
Juárez, Estado de México, México  
Tel. 01-800-714-2503  
SERVICIO Y REPARACIÓN  
Art. 123 No. 95 Col. Centro, C.P. 06050 Deleg.  
Cuauhtemoc SERVICIO AL CONSUMIDOR,  
VENTA DE REFACCIONES Y ACCESORIOS  
01 800 714 2503

Teléfono (591)2- 2305353  
NIT 1020647023,  
Resolución Ministerial 0661-12.

**IMPORTADO POR / IMPORTED BY:**

Inversiones la Mundial Ltda.  
Rut: 78.146.900-9  
Libertad 790, Santiago – Chile  
Fono: (562) 26810217 [info@ilm.cl](mailto:info@ilm.cl)

**IMPORTADO POR / IMPORTED BY:**

Spectrum Brands de México, SA de C.V  
Avenida 1° de Mayo No. 120  
Piso 7, Oficina 702. Colonia San Andres Atoto,  
C.P. 53500 Naucalpan de Juárez, Estado de México,  
México

Para atención de garantía marque:  
01 (800) 714 2503

**IMPORTADO POR / IMPORTED BY:**

Spectrum Brands Corp, S.A.S.  
Transversal 23 #97-73  
Oficinas 403-404-405,  
Bogotá, Colombia  
Línea Servicio al Cliente:  
018000510012

At the end of this product's life, you can mail it to  
Spectrum Brands at 507 Stokely Drive, Deforest, WI  
53532 marked "Product Takeback: Please Recycle!"

Al final de la vida útil de este producto, puede enviarlo  
por correo a Spectrum Brands, 507 Stokely Drive,  
Deforest, WI 53532  
marcado "Product Takeback: Please Recycle!"



T22-9002504-B  
29009 E/S