

INSIGNIA™

v1
R1

USER GUIDE

8,000 BTU Portable Air Conditioner

NS-AC8PWH8



Before using your new product, please read these instructions to prevent any damage.

Contents

- Introduction 2
- Important Safety Instructions..... 3
- Electrical Safety 6
 - Integrated circuit breaker 6
 - Preferred grounding method 6
 - Temporary grounding..... 7
- Features 8
 - Package contents 8
 - Main components 9
 - Control panel 10
 - Remote control 11
- Setting up your portable air conditioner 12
 - Placing your air conditioner 13
 - Installing your air conditioner 14
- Using your portable air conditioner..... 18
 - Inserting the batteries in the remote control 18
 - Using the air conditioner..... 19
- Troubleshooting 21
 - Intelligent error indication 22
- Cleaning and maintaining your air conditioner..... 22
 - Cleaning the case 23
 - Cleaning the air filter..... 23
 - Emptying the water collection tank..... 24
 - Storing your air conditioner 25
- ONE-YEAR LIMITED WARRANTY..... 26

Introduction

Congratulations on your purchase of a high-quality Insignia product. Your NS-AC8PWH8 represents the state of the art in portable air conditioner design and is designed for reliable and trouble-free performance.

Important Safety Instructions



This symbol indicates that dangerous voltage constituting a risk of electric shock is present within your portable air conditioner.



This symbol indicates that there are important operating and maintenance instructions in the literature accompanying your portable air conditioner.

WARNING

- 1 Read these instructions.
- 2 Keep these instructions.
- 3 Heed all warnings.
- 4 Follow all instructions.
- 5 Do not use this machine near water.
- 6 Clean only with damp cloth.
- 7 Do not block any ventilation openings. Install in accordance with the manufacturer's instructions.
- 8 Do not install near any heat sources such as radiators, heat registers, stoves, or other apparatus (including amplifiers) that produce heat.
- 9 Do not defeat the safety purpose of the polarized or grounding-type plug. A polarized plug has two blades with one wider than the other. A grounding type plug has two blades and a third grounding prong. The wide blade or the third prong are provided for your safety. If the provided plug does not fit into your outlet, consult an electrician for replacement of the obsolete outlet.
- 10 Protect the power cord from being walked on or pinched particularly at plugs, convenience receptacles, and the point where they exit from the machine.
- 11 Do not attempt to modify or extend the power cord of this machine.
- 12 Unplug this machine during lightning storms or when it will not be used for long periods of time.
- 13 Make sure that the available AC power matches the voltage requirements of this machine.

- 14 Do not handle the plug with wet hands. This could result in an electric shock.
- 15 Unplug the power cord by holding the plug, never by pulling the cord.
- 16 Do not turn the machine on or off by plugging or unplugging the power cord.
- 17 Turn off the machine before unplugging it.
- 18 Refer all servicing to qualified service personnel. Servicing is required when the machine has been damaged in any way, such as power-supply cord or plug is damaged, liquid has been spilled or objects have fallen into the machine, the machine has been exposed to rain or moisture, does not operate normally, or has been dropped.
- 19 To reduce the risk of fire or electric shock, do not expose this machine to rain, moisture, dripping, or splashing, and no objects filled with liquids should be placed on top of it.
- 20 Batteries should not be exposed to excessive heat such as sunshine, fire, or the like.

Caution

Danger of explosion if battery is incorrectly replaced. Replace only with the same or equivalent type.

Additional precautions

- This machine is intended for household use. Do not use for any other purpose.
- Use this machine indoors in a dry location only. Do not use it outdoors.
- Do not place heavy objects on the machine, as this could damage the machine.
- Wipe the machine with a soft cloth to clean it. Do not use wax, thinner, or irritating detergents.
- Do not allow children or pets to drink the water discharged by the machine.
- Do not disassemble or attempt to repair the machine yourself.
- Do not plug this machine into an outlet with several other high electrical usage appliances.
- Keep the machine away from heat sources and avoid direct sunlight.
- If the machine is making a loud noise or producing an odor or smoke, switch off it, disconnect the plug, and immediately try to determine the cause.
- Do not place heavy objects on the power cord to avoid it being crushed and causing an electric shock.
- Do not put your fingers or hard objects into the outlet air guide bars.
- Turn the machine off and unplug it if there is water inside the machine, then contact qualified service personnel for servicing.

- Turn the machine off and unplug it before cleaning, moving, or servicing it.
- To avoid injury, do not allow children or other individuals with special needs to touch or operate the machine. The machine should only be used with adult supervision.
- Place the air conditioner on a flat surface and upright to ensure the normal operation of the compressor.
- Do not use the machine near gasoline or other flammable liquids.
- Do not use aerosol sprays or other solvents near the machine. This may cause plastic deformation or possibly damage the electrical components of the machine.



WARNING

Electric Shock Hazard

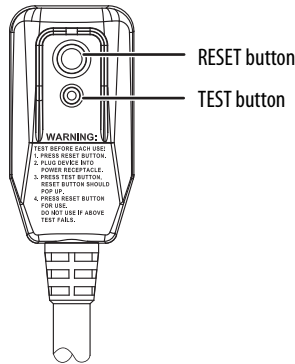
Failure to follow these instructions can result in electric shock, fire, or death.

- **This unit must be properly grounded.**
- **Do not, under any circumstances, cut or remove the grounding plug.**
- **If you do not have a properly grounded AC outlet, or if there is any doubt that the outlet is not properly grounded, a qualified electrician should check the outlet and circuit and, if necessary, install a properly grounded outlet.**
- **This air conditioner must be plugged into a grounded 120V, 60 Hz AC outlet, protected by a 15 amp time-delay fuse or circuit breaker.**
- **This air conditioner must be installed in accordance with national wiring codes.**
- **Do not alter or modify the plug or cord of this air conditioner.** If the power cord becomes worn or damaged, the cord should only be replaced by a qualified service technician using genuine replacement parts.
- **Do not use an extension cord.**

Electrical Safety

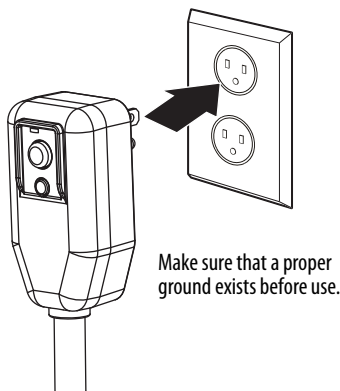
Integrated circuit breaker

For additional safety, the power cord on this air conditioner features an integrated circuit breaker. You can test and reset the circuit breaker using the buttons provided on the plug case.



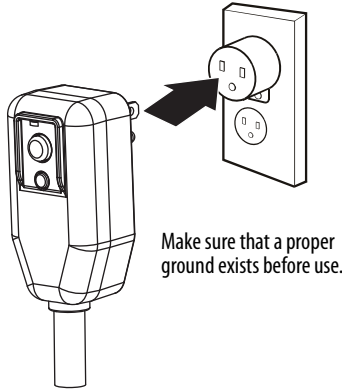
The circuit breaker should be tested periodically by pressing the **TEST** button then the **RESET** button. If the **TEST** button does not cause the circuit breaker to trip, or if the **RESET** button will not stay engaged, unplug the air conditioner immediately and contact an Insignia technician.

Preferred grounding method



Temporary grounding

Due to potential safety hazards, we strongly discourage the use of an adapter plug. If an adapter plug must be used for a temporary connection, use only a UL-listed adapter with a minimum capacity of 110-120V~60Hz, 10A, and 1150W. Make sure that the large slot of the adapter is aligned with the large slot in the outlet.



To prevent damage to the adapter's ground terminal, hold the adapter in place while plugging or unplugging the air conditioner.

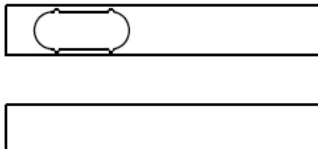
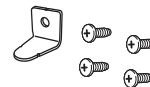
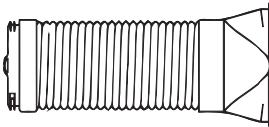
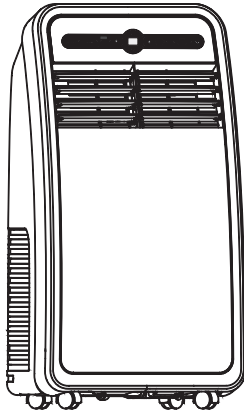
Attaching the adapter ground terminal to the wall receptacle cover screw does not ground the appliance unless the cover screw is metal and not insulated and the wall receptacle is grounded through the house wiring.

Frequent connection and disconnection can damage the ground terminal on the adapter. Never use a broken or damaged adapter.

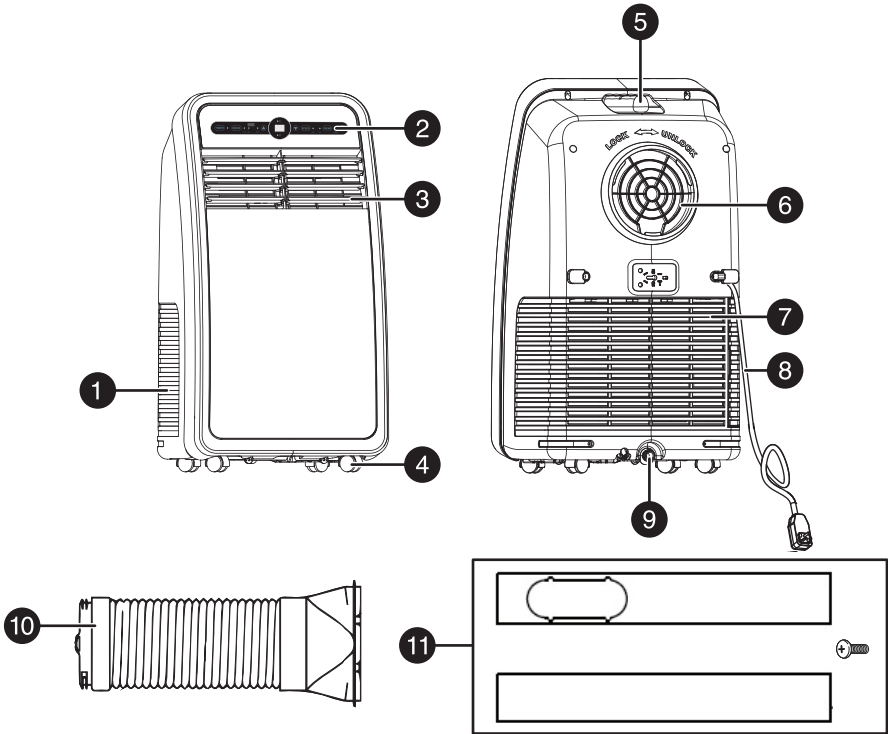
Features

Package contents

- 8,000 Btu portable air conditioner
- Exhaust hose with diffuser
- Window seal plate assembly (window seal plates [2], security bracket, and four screws [two type A, one type B (big head), and one type C])
- Remote control (with two AAA batteries)
- *Quick Setup Guide*

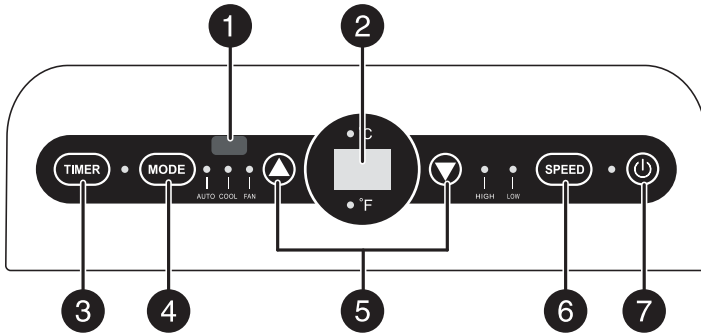


Main components



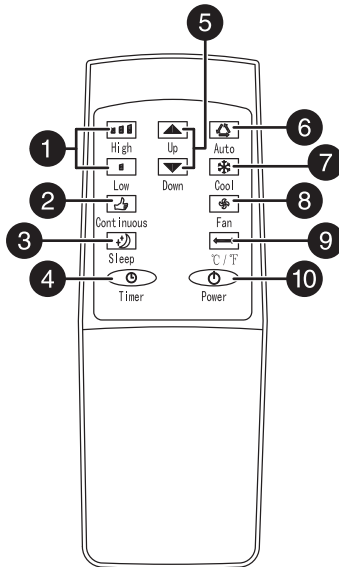
#	Item	Description
1	Air inlet	Allows air to enter the air conditioner. Do not block.
2	Control panel and display	Displays air conditioner settings. Press the buttons to change settings.
3	Adjustable louvered air discharge	Opens automatically when the air conditioner is turned on. Can also be set to oscillate.
4	Swiveling casters	Allow you to move the air conditioner easily on most surfaces.
5	Handle	Provides a convenient grip when moving your air conditioner.
6	Air outlet	Allows warm air to exit the back of the air conditioner into the exhaust hose. Do not block.
7	Filter and filter case	Remove the filter from this case to clean it at least every two weeks. See "Cleaning the air filter" on page 23.
8	Power cord	Plug this in to a 120V 60 Hz AC outlet to power your air conditioner.
9	Drain outlet	Use to drain the condensation from the air conditioner.
10	Exhaust hose and diffuser	Connects the air conditioner to the window installation kit to vent exhaust air.
11	Window seal plate assembly	Includes two adapter plates and a screw. Lets you route the air conditioner exhaust through a vertical or horizontal window opening and seal your window at the correct height/width.

Control panel



#	Item	Description
1	Remote control receiver	Receives signals from the remote control. Do not block.
2	LED Display Temperature/Time display	Shows the temperature and time. (Note to reviewers: Does the display show the current time or the time left on the Timer?)
3	TIMER button	Press to set the air conditioner to turn on or off automatically.
4	MODE button	Press to cycle the air conditioner through the available modes. Options include COOL , FAN , DRY , and AUTO .
5	▲ ▼ (TEMP/TIMER) buttons	COOLING mode—press to raise or lower the temperature setting. Press at the same time to change from Fahrenheit to Celsius. TIMER mode—press to turn the timer on or off.
6	SPEED button	Press to select low, medium, or high speed.
7	⏻ Power button	Press to turn the air conditioner on or off.

Remote control



#	Item	Description
1	Speed settings	Press to select the high, mid, or low setting.
2	Continuous	Press to set the air conditioner to continuous mode.
3	Sleep	Press to set the air conditioner to sleep mode.
4	Timer	Press to set the air conditioner to turn on or off automatically.
5	Up/Down	COOLING mode—press to raise (up) or lower (down) the temperature setting. TIMER mode—press to turn the timer on (up) or off (down).
6	Auto	Press to set the air conditioner to AUTO mode.
7	Cool	Press to set the air conditioner to cooling mode.
8	Fan	Press to turn on the air conditioner fan only (no cooling).
9	C° / F°	Press to switch between Fahrenheit and Celsius.
10	Power	Press to turn the air conditioner on or off.

Setting up your portable air conditioner

Remove and store (optional) packing materials for reuse. Remove any shipping tape before using the air conditioner. Remove tape residue with liquid dish soap and a damp cloth. Do not use sharp tools, alcohol, thinners, or abrasive cleaners to remove adhesive, which could damage the finish.

Notes

- Do not remain in the direct airflow from the air conditioner for extended periods.
- When used at the same time as stoves, fireplaces, or other combustion/heating devices, make sure that there is sufficient flow of fresh air into the room. Do not use in tightly closed spaces with these types of devices.
- This air conditioner is intended for household use as a consumer comfort appliance. Do not use it as a precision climate control system for the purpose of cooling precision equipment, food, pets, plants, artwork, and so on. Such items could be damaged.
- Do not bend the hose downward when the window installation kit is not being used. Doing so may cause inferior performance or failure of the air conditioner.

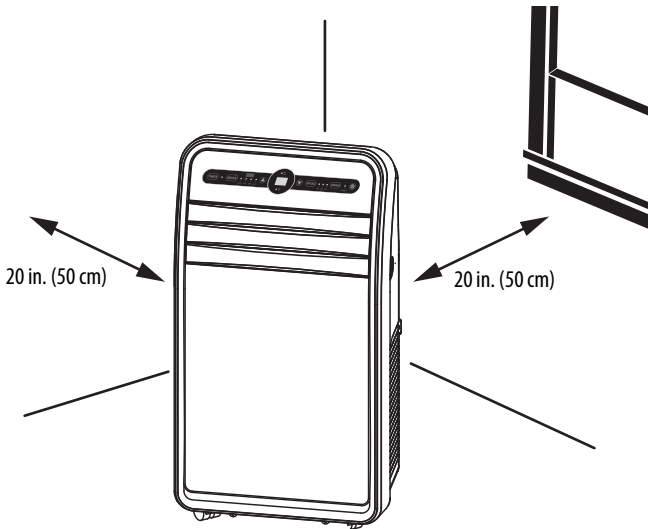
Placing your air conditioner

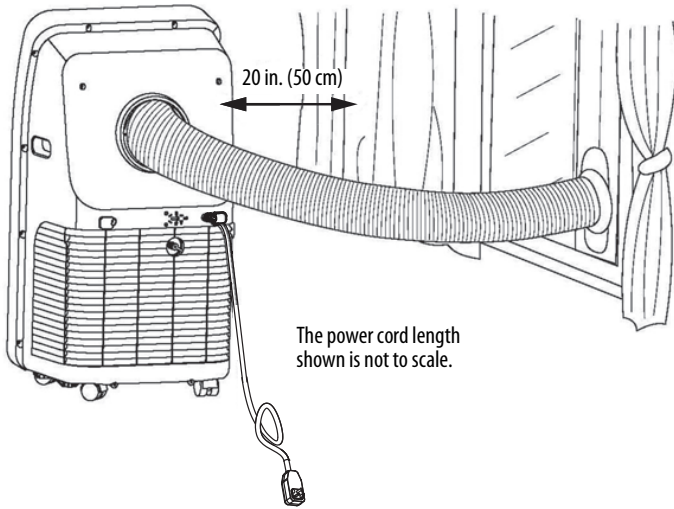
Place the unit on a flat, dry area near a window, so you can use the hose and diffuser to connect the air conditioner to the window installation kit in order to vent the exhaust air outside.

To maintain good air circulation and optimum machine performance, leave a 20 in. (50 cm) space around it.

Note

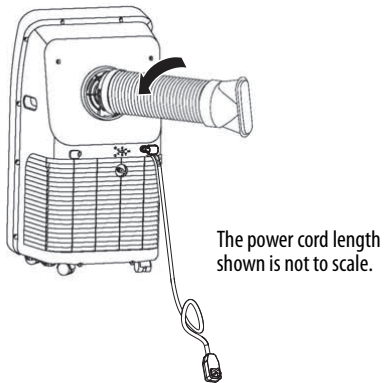
The AC units shown in the following graphics are for instructive purposes only, and may not look like your specific unit.



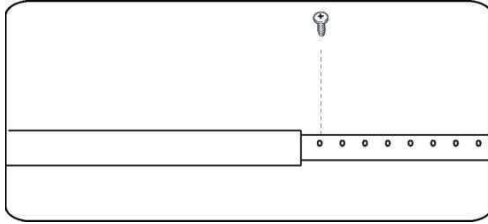


Installing your air conditioner

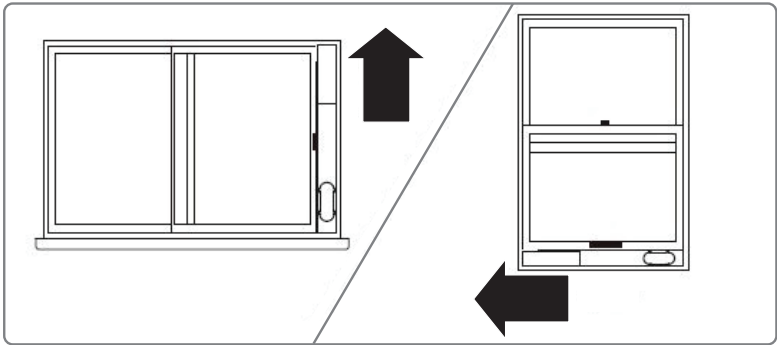
- 1 Screw the exhaust hose assembly to the air outlet on the back of your portable air conditioner.



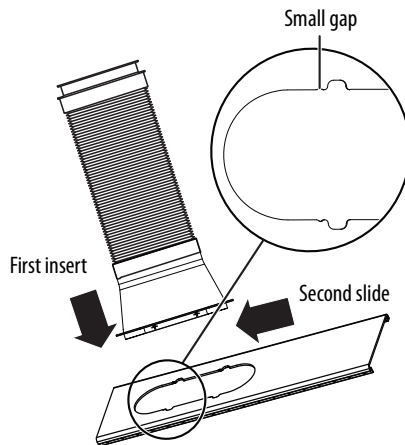
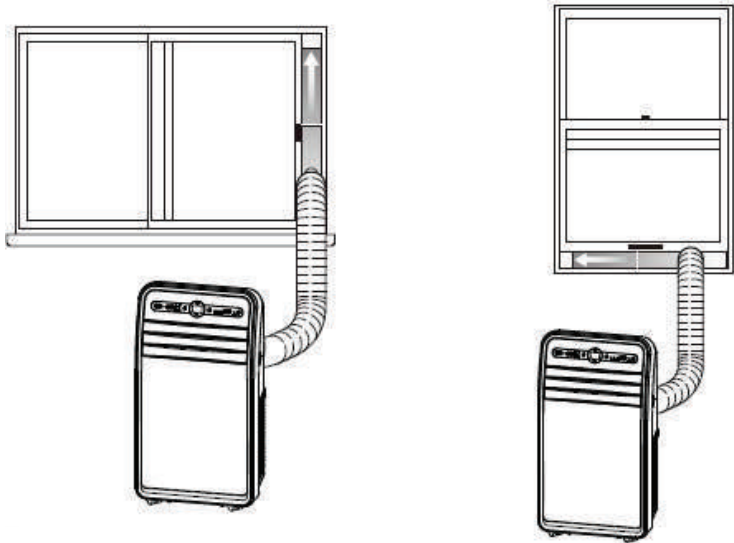
- 2 Measure the window size.
- 3 Adjust the length of the window sealing plate to fit the window opening and secure it with a screw.



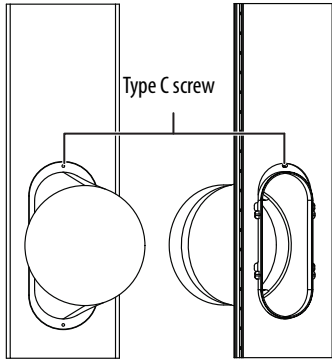
- 4 Install the window sealing plate in the window opening and secure it with the screws provided.



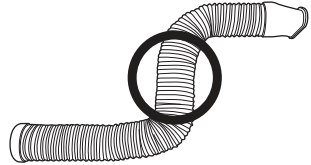
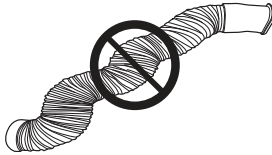
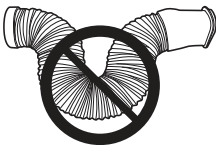
- 5 Insert the diffuser into the vent panel, then slide it down/left until it clicks into place.



- 6 If desired, attach the diffuser to the vent panel with a type C screw.

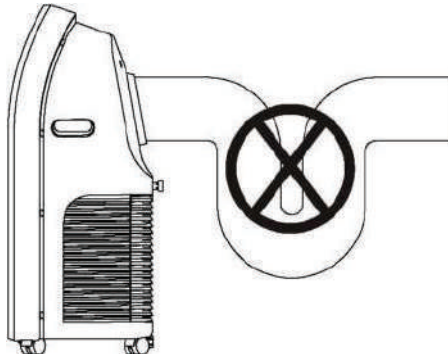


- For optimum performance, do not twist the venting hose. For better efficiency, shorten the hose, if possible.

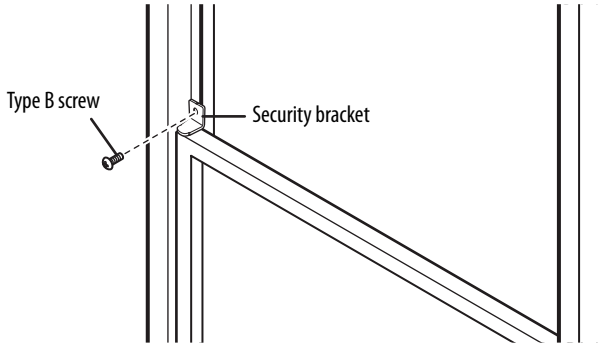


Caution

The exhaust duct is designed especially for this air conditioner. Replacing or lengthening the duct could result in damage to your unit.



- 7 If desired, install the security bracket with the type B screw.

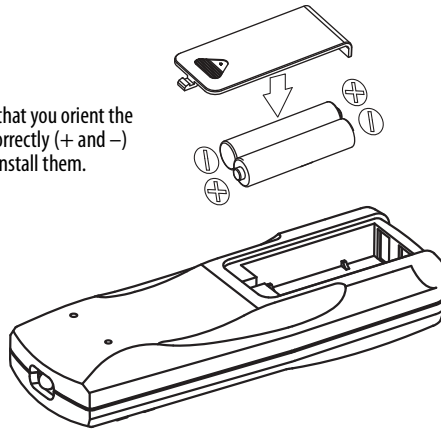


Using your portable air conditioner

Inserting the batteries in the remote control

- 1 Press down on the arrow on the back of the remote control, then slide the battery compartment cover from the battery compartment.

Make sure that you orient the batteries correctly (+ and -) when you install them.



- 2 Insert **three** AAA carbon-zinc batteries (provided) into the battery compartment. Note the proper orientation of the + and - polarity of the batteries.

- 3 Reinstall the battery compartment cover, making sure the tab locks into place.

Notes




- Use only carbon-zinc or alkaline batteries. Do not use rechargeable batteries.
- When you replace the batteries, always replace them with new batteries. Do not mix old and new batteries.
- If your air conditioner will not be used for an extended period of time, remove the batteries from the remote control.



Cautions

- If the fluid from inside the batteries comes into contact with your skin or clothes, wash immediately with clean water.
- Do not use the remote control if the batteries are leaking.
- If the fluid from inside the batteries gets into your mouth or eyes, flush immediately with clean water and contact a doctor for treatment.

Using the air conditioner

You can control your air conditioner by using the control panel on the front of the unit, or by using the remote control. If using the remote control, always point it at the air conditioner.

Button	Description
	<p>Press to turn your air conditioner on or off.</p> <p>When you turn the air conditioner on, you will hear a tone and the air discharge automatically opens. The display shows the set temperature and the current mode.</p> <p>When you turn your air conditioner off, you will hear a tone and the air discharge closes. Control settings, such as Mode, Set Temperature, and so on, are retained in memory when the power is off (unless the unit has been unplugged).</p>
	<p>Press to cycle through the operating modes (COOL, FAN, or ENERGY SAVER [AUTO]). The LED next to the Mode button displays the active mode. The default mode is COOL.</p> <p>COOL—The compressor runs and cools the room. Use the ▲ or ▼ and SPEED buttons to set the desired temperature and fan speed.</p> <p>FAN—The fan circulates the air, but the compressor does not run to cool it. Use the SPEED button to set the desired fan speed.</p> <p>AUTO (ENERGY SAVER)—If the ambient temperature is above 77° F (25°C), the air conditioner operates in cooling mode. If the ambient temperature is below 77° F (25°C), the air conditioner operates in fan mode.</p>
	<p>Cycles through the available fan speeds (F1-Low, F2-Medium, F3-High). The LED next to the SPEED button displays the fan speed. The speed can be selected in either the COOL or FAN modes.</p>

Button	Description
	<p>COOL mode—press to adjust the temperature setting up to 86°F (30°C) or down to 62°F (17°C), in one degree increments. The temperature can be switched between Fahrenheit and Celsius by pressing ▲ and ▼ at the same time, or by pressing the °F/°C switching button on the remote control.</p> <p>TIMER mode—press ▲ ▼ to adjust the delay time from one to 24 hours, in one hour increments. If you press and hold ▲ ▼, the set temperature or time changes automatically.</p> <p>NOTE: The temperature displayed is the room temperature, not the set temperature. In COOL or AUTO mode, the thermostat in the air conditioner runs the compressor until the set temperature is reached, then the compressor cycles on and off to maintain the set temperature.</p>
	<p>Press to set your air conditioner to turn off or turn on after a delay of up to 24 hours. The default is 0.</p> <p>Automatic off—press ▲ ▼ while the air conditioner is running to set the delay time from one to 24 hours, in one hour increments. The air conditioner automatically turns off when the set delay time is reached.</p> <p>Automatic on—press ▲ ▼ while the air conditioner is off to set the delay time from one to 24 hours, in one hour increments. The air conditioner automatically turns on when the set delay time is reached.</p> <p>Press the TIMER button to see the delay time you have set on the LED display.</p> <p>To change the set delay time (on or off), press the TIMER button, then adjust the time with the ▲ ▼ buttons when the number begins to blink.</p> <p>To cancel the Timer function, press the TIMER button, then press the ▲ ▼ buttons when the number begins to blink to adjust the time to 0. You can also press the TIMER button, then press it again when the number begins to blink.</p> <p>NOTE: Do not unplug the air conditioner while using the Timer function. After setting the Timer function, if you use the remote control to change to another mode without resetting the Timer function, the timer is reset.</p>

Running your air conditioner in DRY mode (Note in source material indicated that this AC has no DRY mode. Please confirm that we need to remove this section.)

If you run your air conditioner continually in DRY mode because of high humidity or other reasons, the water collection tank should drain continuously. To accomplish this:

- 1 Unplug your air conditioner and move it to a location where you can work on it.
- 2 Remove the rubber plug from the unit.
- 3 Remove the filter case.
- 4 Install a 1/2 in. inside diameter drain hose on the back of the unit where you removed the rubber plug. Use a hose clamp to make sure that there are no leaks.
- 5 Replace the filter case.
- 6 Place the open end of the hose in a suitable location to drain continuously.
- 7 Plug in your air conditioner and restart it.

Troubleshooting

Caution

Do not try to repair your portable air conditioner yourself. Doing so invalidates the warranty.

Problem	Possible cause	Possible solution
Air conditioner does not start	The air conditioner is unplugged.	Make sure that the air conditioner is plugged in and that the plug is pushed completely into the outlet.
	The fuse on the circuit is blown or the circuit breaker is tripped.	Check the house fuse/circuit breaker box and replace the fuse or reset the circuit breaker.
	Power failure.	If a power failure occurs, the air conditioner turns off. When the power is restored, wait three minutes to restart the air conditioner to prevent tripping the compressor overload.
	The current interrupter device in the power cord has tripped.	Press the RESET button located on the power cord plug. If the RESET button will not stay engaged, discontinue use of the air conditioner and contact a qualified service technician.
	FL appears on the display.	The water collection tank is full and must be drained. Drain the tank and reset your settings. See "Emptying the water collection tank" on page 24.
	Room temperature is less than the set temperature.	This is normal. The air conditioner automatically shuts off when the room temperature equals, or is less than, the set temperature. Adjust the temperature setting, if needed.
The air conditioner does not cool	Airflow is restricted.	Make sure that there are no curtains, blinds, or furniture blocking the front of the air conditioner.
	The temperature control may not be set correctly	In COOL mode, decrease the temperature setting by pressing the ▼ button on the panel or the remote control.
	The air filter is dirty.	Clean the filter at least every two weeks. See "Cleaning and maintaining your air conditioner" on page 22.
	There is a heat source or too many people in the room.	Move any heat sources from the room.
	The room may have been hot.	You need to allow time for the room to cool down after you first turn on the air conditioner.
	The exhaust hose is not connected or is blocked.	Connect the exhaust hose and make sure that it is not obstructed and is functioning properly.
The air conditioner is freezing up	The cooling coils are iced over.	Ice may block the air flow and obstruct the air conditioner from properly cooling the room. Set the mode control to High Fan or High Cool .
The air conditioner runs too often or too long	The area to be cooled is too large for the air conditioner.	Consult your Insignia technician for the air conditioner capacity required to cool the desired area.
	Doors or windows are open.	Make sure that doors and windows are closed.

Problem	Possible cause	Possible solution
The venting hose is hot	When the air conditioner runs continuously for a long time, the hose becomes hot.	This is normal.
The air conditioner is too loud	The unit may seem rather loud for the first two or three minutes of operation.	This is the sound of the compressor starting up and is normal.
	A soft, swishing noise can be heard immediately after turning the unit on or off, and during operation.	This is the sound of the liquid refrigerant flowing in the unit and is normal.
The air conditioner makes an odd noise	An audible gurgling noise may be heard when the unit is operated on a gently sloping floor.	Place the unit on a level floor.

Intelligent error indication

When any of the following error indicators appear on the LED display, turn off your air conditioner and call a professional maintenance technician or service center.

Error code	Description
E1	Coil temperature sensor error.
E2	Indoor temperature sensor error.
E3	Anti-freezing protection. The air conditioner coil temperature is too low and the unit has turned off automatically. The unit resets itself when the temperature reaches 46.4°F (8°C).

Cleaning and maintaining your air conditioner

Your air conditioner is designed for year-round use with only minimal cleaning and maintenance.

For maximum efficiency, we recommend that you have the cooling coils inspected and cleaned annually. Your local Best Buy Service Center can provide this inspection and cleaning for a nominal fee.

Warning

- Unplug the air conditioner before cleaning or performing any maintenance or service.
- Be careful when cleaning coils or removing or reinstalling the filter. The cooling fins are very sharp.
- Failure to follow the above precautions could result in electric shock or personal injury.

Cleaning the case

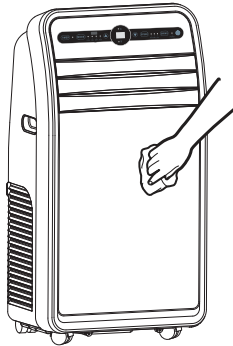
- Wipe the case with a slightly damp cloth, then wipe dry with a dry cloth.

Caution

To prevent damage to the finish, do not use:

- Gasoline, benzine, thinner, or other similar solvents.
- Abrasive cleaners.

Never pour water onto or into the air conditioner. It could damage the internal components and create a shock or fire hazard.

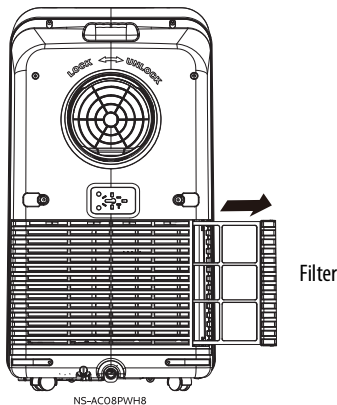


Cleaning the air filter

The air filter should be cleaned every two weeks. Depending on indoor air quality, the filter may require cleaning more often. A dirty air filter decreases the airflow and reduces the efficiency of the air conditioner.

Do not operate the air conditioner without the air filter in place.

- 1 Pull the air filter out the side of the unit by the handle.



- 2 Clean the filter with a vacuum cleaner. If the filter is very dirty, it can be washed by hand in warm water with a mild detergent.

Cautions

- Do not use harsh cleaners or very hot water.
- Do not wash in a dishwasher or washing machine.

- 3 Let the filter dry completely, then reinstall it in the air conditioner.

Note

- When the filter is not replaced in the air conditioner correctly, there is a gap between the filter case and the unit.

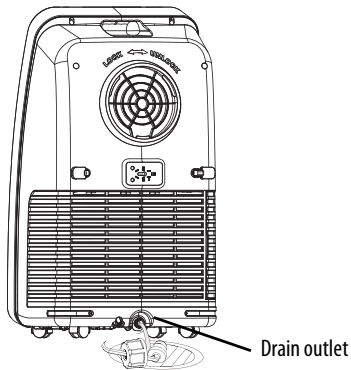
Emptying the water collection tank

When the internal water collection tank is full, "FL" appears on the LED display and your air conditioner turns off until the tank is emptied.

Notes

- When operating or draining water from your air conditioner, always protect carpeting and floors from possible water spillage.
- When you drain the water from your air conditioner, be sure to wipe up any spilled water with a dry cloth or towel.

- 1 Unplug your air conditioner, then disconnect the exhaust hose from the back.
- 2 Move your air conditioner to a location where a suitable drain is available or place a drain pan under the unit that is capable of holding up to 1.3 pints (.6 liters) of water.



- 3 Remove the plug cover and the rubber plug from the drain outlet and allow the water to drain from the unit.
- 4 After you have drained the water collection tank, replace the rubber plug and plug cover, making sure that the cover is secure.

- 5 Place the air conditioner in the desired location, reconnect the exhaust hose, then plug it in. When the air conditioner is restarted after being drained, it automatically starts in COOL mode with a temperature setting of 72°F.

Storing your air conditioner

If your air conditioner will not be used for an extended period of time, we suggest that you prepare it for storage by doing the following:

- 1 Unplug your air conditioner.
- 2 Remove the rubber plug and drain the water collection tank completely.
- 3 Reinstall the rubber plug.
- 4 Remove the filter case and clean the filter. Allow it to dry completely, then reinstall it.
- 5 Remove the batteries from the remote control.
- 6 Store the air conditioner in a cool, dry place, away from direct sunlight, extreme temperatures, and excessive dust.

Restarting your air conditioner after storage

- 1 Make sure that the filter case and rubber plug are in place.
- 2 Make sure that the power cord and plug are in good condition.
- 3 Install new AAA batteries in the remote control.
- 4 Move the air conditioner to the location where you plan to use it and reconnect the exhaust hose and electrical plug.
- 5 Restart your air conditioner and make sure that everything runs smoothly.

ONE-YEAR LIMITED WARRANTY

Definitions:

The Distributor* of Insignia branded products warrants to you, the original purchaser of this new Insignia-branded product ("Product"), that the Product shall be free of defects in the original manufacturer of the material or workmanship for a period of one (1) year from the date of your purchase of the Product ("Warranty Period").

For this warranty to apply, your Product must be purchased in the United States or Canada from a Best Buy branded retail store or online at www.bestbuy.com or www.bestbuy.ca, and is packaged with this warranty statement.

How long does the coverage last?

The Warranty Period lasts for 1 year (365 days) from the date you purchased the Product. Your purchase date is printed on the receipt you received with the Product.

What does this warranty cover?

During the Warranty Period, if the original manufacture of the material or workmanship of the Product is determined to be defective by an authorized Insignia repair center or store personnel, Insignia will (at its sole option): (1) repair the Product with new or rebuilt parts; or (2) replace the Product at no charge with new or rebuilt comparable products or parts. Products and parts replaced under this warranty become the property of Insignia and are not returned to you. If service of Products or parts are required after the Warranty Period expires, you must pay all labor and parts charges. This warranty lasts as long as you own your Insignia Product during the Warranty Period. Warranty coverage terminates if you sell or otherwise transfer the Product.

How to obtain warranty service?

If you purchased the Product at a Best Buy retail store location, please take your original receipt and the Product to any Best Buy store. Make sure that you place the Product in its original packaging or packaging that provides the same amount of protection as the original packaging. If you purchased the Product from a Best Buy online web site (www.bestbuy.com or www.bestbuy.ca), mail your original receipt and the Product to the address listed on the web site. Make sure that you put the Product in its original packaging or packaging that provides the same amount of protection as the original packaging.

To obtain warranty service, in the United States call 1-888-BESTBUY, Canada call 1-866-BESTBUY. Call agents may diagnose and correct the issue over the phone.

Where is the warranty valid?

This warranty is valid only in the United States and Canada at Best Buy branded retail stores or websites to the original purchaser of the product in the county where the original purchase was made.

What does the warranty not cover?

This warranty does not cover:

- Food loss/spoilage due to failure of refrigerator or freezer
- Customer instruction/education
- Installation
- Set up adjustments
- Cosmetic damage
- Damage due to weather, lightning, and other acts of God, such as power surges
- Accidental damage
- Misuse
- Abuse

- Negligence
- Commercial purposes/use, including but not limited to use in a place of business or in communal areas of a multiple dwelling condominium or apartment complex, or otherwise used in a place of other than a private home.
- Modification of any part of the Product, including the antenna
- Display panel damaged by static (non-moving) images applied for lengthy periods (burn-in).
- Damage due to incorrect operation or maintenance
- Connection to an incorrect voltage or power supply
- Attempted repair by any person not authorized by Insignia to service the Product
- Products sold "as is" or "with all faults"
- Consumables, including but not limited to batteries (i.e. AA, AAA, C etc.)
- Products where the factory applied serial number has been altered or removed
- Loss or Theft of this product or any part of the product
- Display panels containing up to three (3) pixel failures (dots that are dark or incorrectly illuminated) grouped in an area smaller than one tenth (1/10) of the display size or up to five (5) pixel failures throughout the display. (Pixel based displays may contain a limited number of pixels that may not function normally.)
- Failures or Damage caused by any contact including but not limited to liquids, gels or pastes.

REPAIR REPLACEMENT AS PROVIDED UNDER THIS WARRANTY IS YOUR EXCLUSIVE REMEDY FOR BREACH OF WARRANTY. INSIGNIA SHALL NOT BE LIABLE FOR ANY INCIDENTAL OR CONSEQUENTIAL DAMAGES FOR THE BREACH OF ANY EXPRESS OR IMPLIED WARRANTY ON THIS PRODUCT, INCLUDING, BUT NOT LIMITED TO, LOST DATA, LOSS OF USE OF YOUR PRODUCT, LOST BUSINESS OR LOST PROFITS. INSIGNIA PRODUCTS MAKES NO OTHER EXPRESS WARRANTIES WITH RESPECT TO THE PRODUCT, ALL EXPRESS AND IMPLIED WARRANTIES FOR THE PRODUCT, INCLUDING, BUT NOT LIMITED TO, ANY IMPLIED WARRANTIES OF AND CONDITIONS OF MERCHANTABILITY AND FITNESS FOR A PARTICULAR PURPOSE, ARE LIMITED IN DURATION TO THE WARRANTY PERIOD SET FORTH ABOVE AND NO WARRANTIES, WHETHER EXPRESS OR IMPLIED, WILL APPLY AFTER THE WARRANTY PERIOD. SOME STATES, PROVINCES AND JURISDICTIONS DO NOT ALLOW LIMITATIONS ON HOW LONG AN IMPLIED WARRANTY LASTS, SO THE ABOVE LIMITATION MAY NOT APPLY TO YOU. THIS WARRANTY GIVES YOU SPECIFIC LEGAL RIGHTS, AND YOU MAY ALSO HAVE OTHER RIGHTS, WHICH VARY FROM STATE TO STATE OR PROVINCE TO PROVINCE.

Contact Insignia:

For customer service please call 1-877-467-4289

www.insigniaproducts.com

INSIGNIA is a trademark of Best Buy and its affiliated companies.

Distributed by Best Buy Purchasing, LLC

7601 Penn Ave South, Richfield, MN 55423 U.S.A.

©2016 Best Buy. All rights reserved.

Made in China

INSIGNIA™

www.insigniaproducts.com

1-877-467-4289 (U.S. and Canada) or 01-800-926-3000 (Mexico)

INSIGNIA is a trademark of Best Buy and its affiliated companies.

Distributed by Best Buy Purchasing, LLC

7601 Penn Ave South, Richfield, MN 55423 U.S.A.

©2015 Best Buy. All rights reserved.

Made in China.

V1 ENGLISH
16-1094