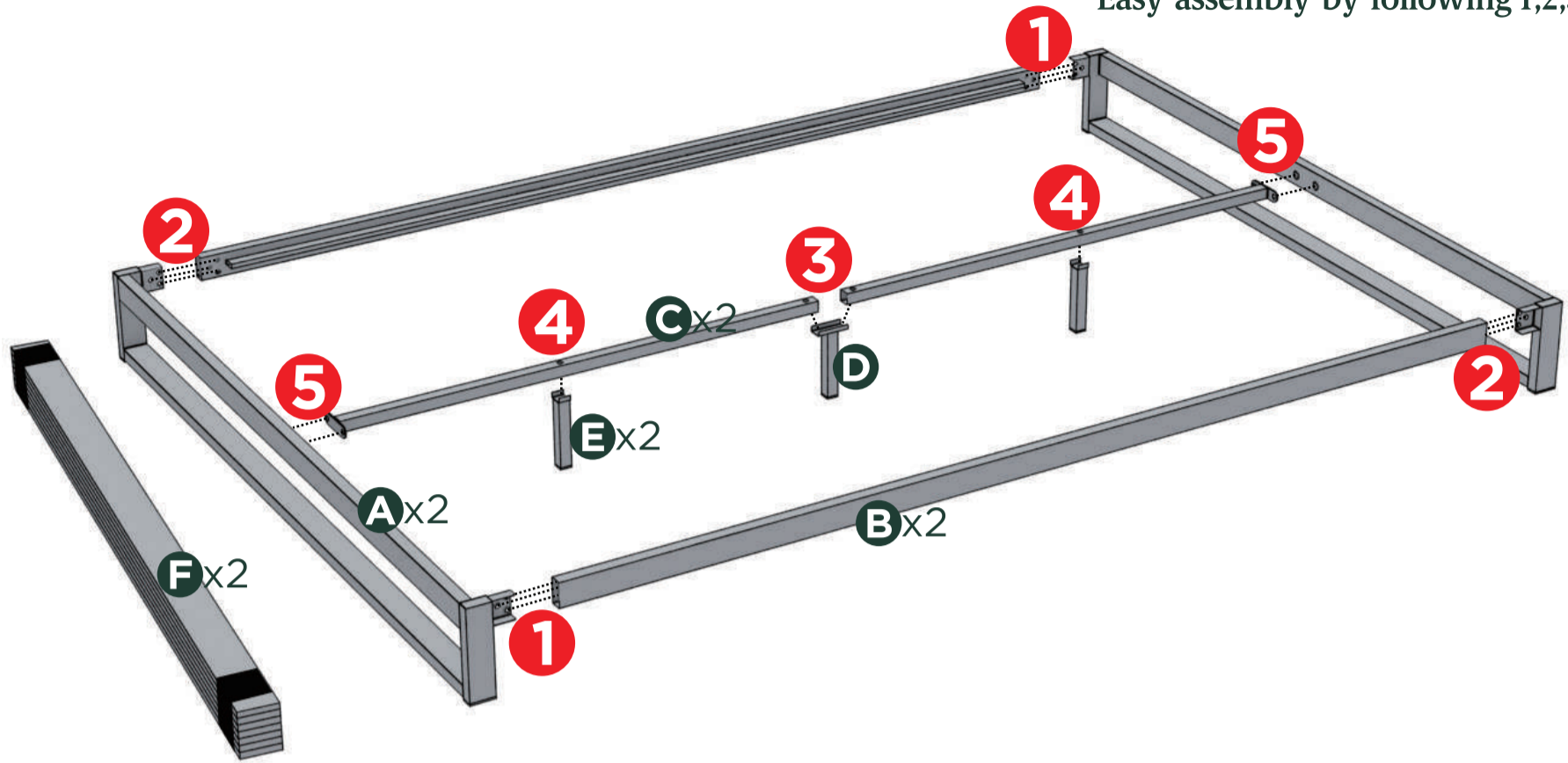




ZINUS®

Numbering System

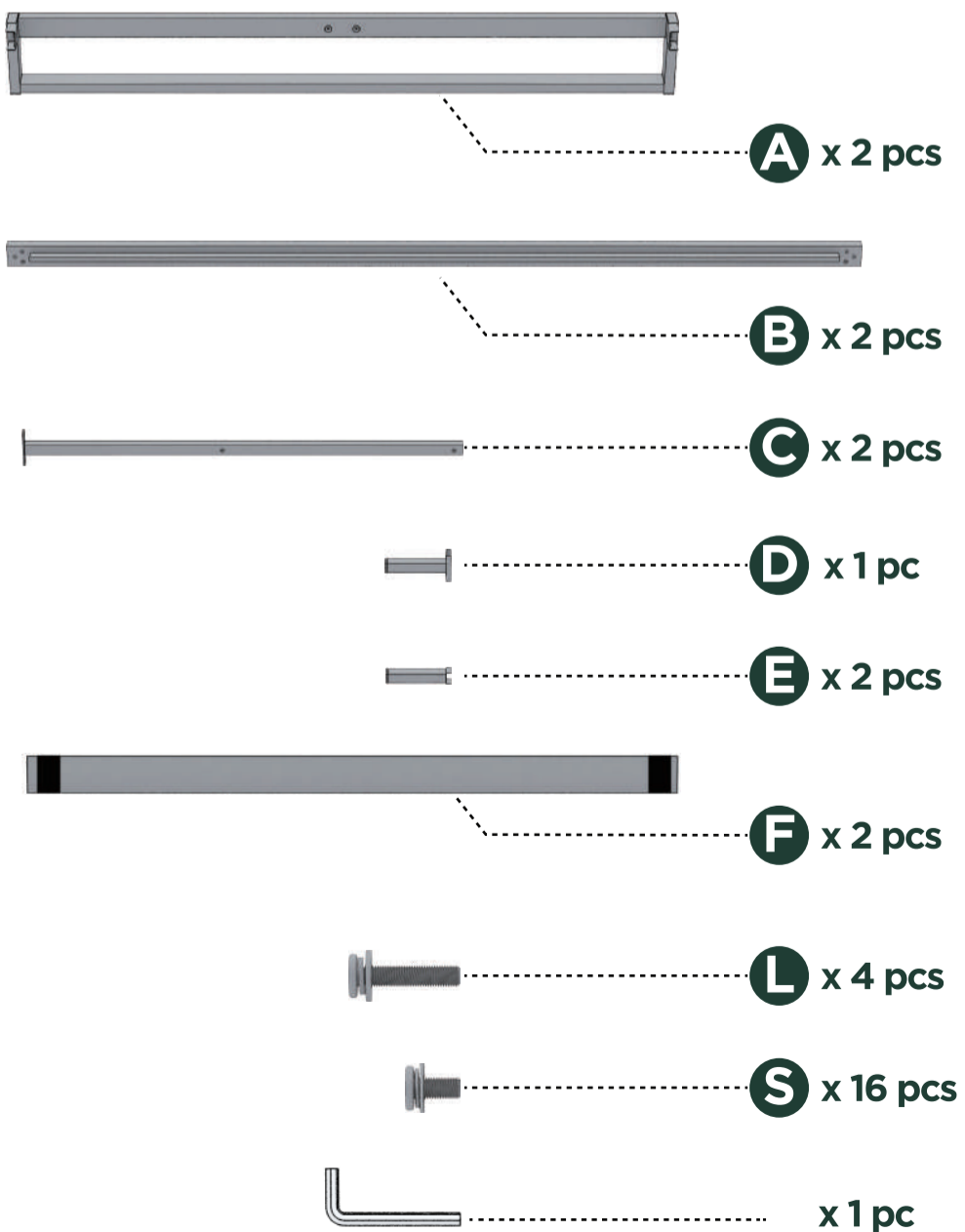
Easy assembly by following 1,2,3...



Heavy Duty Platforma Bed

Available in Full, Queen and King

Components



Return Policy

ZINUS believes you will absolutely love your Heavy Duty Platforma Bed, but if for some reason you want to return the product, please contact us directly before you decide to return your product to the retailer. Our Customer Service organization can answer most concerns and can assist you with any questions you may have about your new product.

Please contact us first by emailing customerservice@zinusinc.com or by submitting a request at <https://support.zinus.com>

The item must be returned in good condition, in original box, with all original proof of purchase, parts and accessories, within the time frame specified by the retailer it was purchased from.

5-Year Limited Warranty Statement For Manufacturing Defects

Please read this Limited Warranty carefully. To maintain your Warranty, you will need to comply with the conditions stated here. This warranty is for manufacturing defects only and does not cover damages as a result of misuse.

1. Please be sure to register your product at www.zinus.com/resources/register to receive up to date warranty and product information.

2. Your new product comes with 5-year warranty against manufacturing defects. The warranty starts on the date of purchase. No warranty will be honored without an original sales receipt. The warranty and financial responsibility of the manufacturer only applies to the product itself and does not extend to any mattress that is put on the product.

3. Manufacturing defects include circumstances where the product has broken under normal use and no longer provides proper support for your mattress. Proper support is defined as a smooth, flat, rigid surface. In the event you encounter a manufacturing defect, please stop using this product immediately and call customer service. Please note that it is not uncommon for some of the short metal welds to become loose in transit or during normal use. A manufacturing defect for these welds is considered to be 5 or more at the time of purchase. The manufacturer cannot be responsible for improper assembly by the consumer.

4. This warranty applies only when the product has been properly used by consumers who purchased the product from authorized dealers as a new product. Proper use means using the product on a level surface where all legs touch the floor with an equal distribution of weight. Proper use also means that the product was not abused by the consumer, as defined by the manufacturer. This warranty does not constitute agreement to replace other parts.

5. If the product fails due to manufacturing defects, the manufacturer will repair or replace at its discretion and reserves the right to substitute comparable materials or models and does not guarantee that the replacement part will match the existing piece or product.

6. In the event the product needs to be inspected by the manufacturer to determine a warranty claim, the transportation cost or removal cost is borne by the consumer.

Easy as 1 2 3

Assembly Instruction

Numbers must Match for Secure Assembly

1 2 3 ... 5

Heavy Duty Platforma Bed

Available in Full, Queen and King

