

# SPEED BREW OWNER'S MANUAL

For models: GRX, BX, SBS, CSB1, CSB2, BTX & CSB3T | English: Pages 2 - 20  
Para modelos: GRX, BX, SBS, CSB1, CSB2, BTX y CSB3T | Español: Páginas 21 - 40  
Modèles: GRX, BX, SBS, CSB1, CSB2, BTX et CSB3T | Français: Pages 41 - 60





# WARNING

RISK OF FIRE OR ELECTRICAL SHOCK



TO REDUCE RISK OF FIRE OR ELECTRIC SHOCK  
DO NOT DISASSEMBLE THE COFFEE MAKER  
NO USER-SERVICEABLE PARTS INSIDE  
REPAIR SHOULD BE DONE BY AUTHORIZED  
SERVICE PERSONNEL ONLY



This symbol alerts you to important operating and service instructions.



This symbol alerts you to the risk of fire or electric shock in the accompanying message.

**NOTE:** The short power supply cord provided reduces the risk of becoming entangled in or tripping over a longer cord.

If an extension cord is used, its marked electrical rating must be at least as great as the electrical rating of the coffee maker.

Make sure the extension cord does not hang over the edge of a table or counter and that it cannot be pulled on by children or tripped over. The extension cord must be a 3-wire cord of the 3-pronged, 3-socketed, grounding type (including grounding conductor).



**IMPORTANT:  
DO NOT PLUG IN UNTIL READING "INITIAL SETUP" SECTION.**

**PLEASE READ ALL INSTRUCTIONS BEFORE STARTING.**

## **SPECIFICATIONS**

**BREW CAPACITY:** 4 to 10 (5) oz. cups per batch

**ELECTRICAL:** UL and C-UL Listed FOR HOUSEHOLD USE ONLY. Coffee maker has an attached, 3-prong grounded cord set and requires 2-wire service with ground.

### **ELECTRICAL RATED:**

**GRX:** 120 volts AC, 7.5 amps, single phase, 60 Hz, 900-watts

**BX:** 120 volts AC, 7.5 amps, single phase, 60 Hz, 900-watts

**SBS:** 120 volts AC, 7.5 amps, single phase, 60 Hz, 900-watts

**CSB1:** 120 volts AC, 7.5 amps, single phase, 60 Hz, 900-watts

**CSB2:** 120 volts AC, 7.5 amps, single phase, 60 Hz, 900-watts

**BTX:** 120 volts AC, 7 amps, single phase, 60 Hz, 850-watts

**CSB3T:** 120 volts AC, 7 amps, single phase, 60 Hz, 850-watts

Not designed for High Altitude locations above 4,000 feet. High Altitude units are available. See [BUNN.COM](http://BUNN.COM) for details.

# TABLE OF CONTENTS

|                             |    |
|-----------------------------|----|
| GETTING STARTED.....        | 5  |
| COFFEE MAKER FEATURES ..... | 6  |
| SAFEGUARDING .....          | 7  |
| INITIAL SETUP .....         | 8  |
| HOW TO BREW.....            | 10 |
| CARE & CLEANING .....       | 11 |
| TROUBLESHOOTING .....       | 15 |
| WARRANTY .....              | 18 |
| <hr/>                       |    |
| <u>Español</u> .....        | 21 |
| <u>Français</u> .....       | 41 |

# GETTING STARTED

Record the model and date code before using.  
The model and date code are located on the  
bottom of your coffee maker.

MODEL: \_\_\_\_\_

GRX, BX, SBS, CSB1, CSB2, BTX or CSB3T

DATE CODE: \_\_\_\_\_

**Register your product:**

<https://retail.bunn.com/support/product-registration>

**Questions?**

Go to:

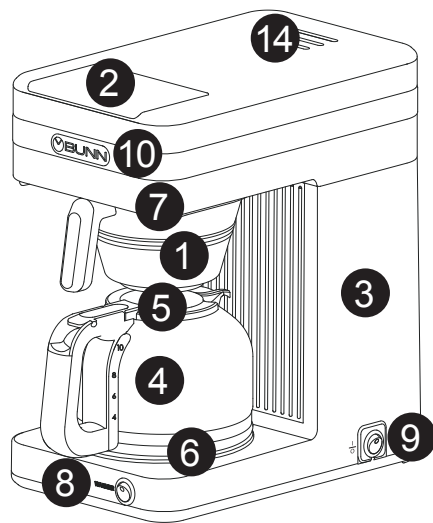
<https://retail.bunn.com/support/support-request>  
or call customer service at 1-800-352-2866 (USA)  
or 1-800-263-2256 (Canada).

Please have your model and date code ready  
when calling for service.

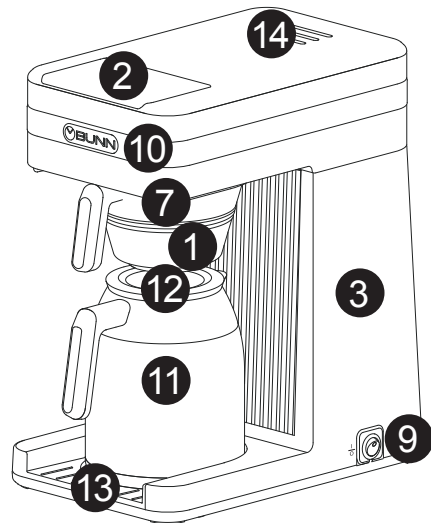
# COFFEE MAKER FEATURES

## FEATURES

- 1 Brew Funnel
- 2 Lid
- 3 Internal Hot Water Tank
- 4 Drip-Free Glass Carafe
- 5 Carafe Lid
- 6 Warmer Plate
- 7 Sprayhead
- 8 Warmer Switch
- 9 Tank Power Switch
- 10 Pour-In Bowl
- 11 Thermal Carafe
- 12 Thermal Carafe Lid
- 13 Base
- 14 Top Cover



With Glass Carafe



With Thermal Carafe

Models shown for reference. Your brewer may differ.

# SAFEGUARDING

## IMPORTANT

Follow basic safety precautions when using electrical appliances to reduce the risk of fire, electric shock and personal injury.

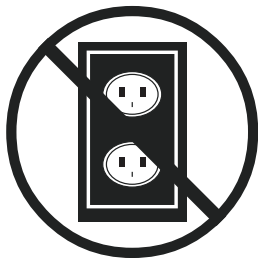
- READ ALL THE INSTRUCTIONS IN THIS MANUAL.
- Use caution. This coffee maker produces hot liquids: hot liquids can burn you
- Place and use coffee maker on a level surface.
- Do not touch hot surfaces. Use handles.
- Do not tip the coffee maker.
- To protect against electric shock, do not place cord, plugs or coffee maker in water or other liquids.
- Close supervision is necessary when coffee maker is used around children.
- Internal hot water tank contains hot water. Before removing or replacing parts, press power switch off, unplug coffee maker and let it cool (up to 2 hours.)
- Do not operate coffee maker with a damaged cord or plug, or any other malfunction or damage. Using an accessory not evaluated for use with this coffee maker may cause injury.

- Use coffee maker indoors only.
- Do not let cord hang over edge of table or counter.
- Do not place coffee maker in or near a hot gas or electric burner, in a heated oven, or in any other heated area.
- Do not use carafe on a range top or in a microwave.
- Do not use coffee maker for any purpose other than its intended use.
- Do not remove brew funnel or carafe while brewing.
- Do not set a hot carafe on a cold surface.
- Do not use a cracked carafe or a carafe with a loose or weakened handle.
- Do not pour any liquid into the internal hot water tank other than water or vinegar for cleaning, as specified in this manual.
- Do not clean carafe with cleansers, steel wool pads, or other abrasive materials.
- When coffee maker is not in use, keep lid in the closed position.
- To disconnect, turn any control to the OFF position, then unplug from wall outlet.

**FOR HOUSEHOLD USE ONLY**

**SAVE THESE INSTRUCTIONS**

## INITIAL SETUP



**DO NOT PLUG IN THE COFFEE MAKER UNTIL STEP 5, OR YOU RISK PERMANENTLY DAMAGING THE MACHINE.**

Follow the steps on the next page for proper set up.



# INITIAL SETUP



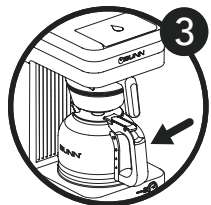
Slide empty brew funnel into funnel rails.



Fill carafe with water.

Pour Water into coffee maker.

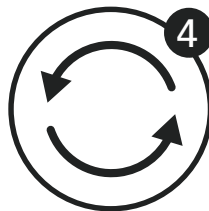
**NOTE:** Keep lid open.



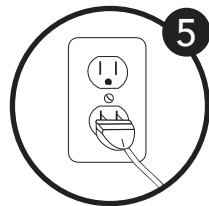
Place carafe under funnel.

Close lid.

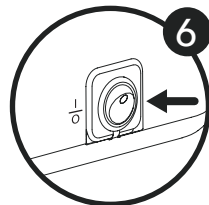
Wait 4 minutes while internal tank partially fills.



Repeat steps 2 and 3, until water flows from funnel.



Plug in coffee maker.



Press power switch located on the side. (I=ON, O=OFF)

Wait 15 minutes for water in tank to heat.

HAVE QUESTIONS?

<https://retail.bunn.com/support/products/speed-brew>

READY TO BREW (NEXT PAGE)

# HOW TO BREW

- 1 Place a **BUNN**® coffee filter into the brew funnel
- 2 Scoop ground coffee into the filter
- 3 Gently shake the brew funnel to level the grounds
- 4 Slide the funnel into the funnel rails
- 5 Fill the carafe with water: *20oz for 4 cups, 50oz for 10 cups.*
- 6 Open lid, and pour water into the coffee maker
- 7 Position the carafe on the warmer plate (or on the base for Thermal models\*)
- 8 Close the lid\*\*
- 9 Flip the warmer switch to ON for a glass carafe brewer.
- 10 Wait 4 minutes for the drip-out to complete

**\*NOTE:** Your thermal carafe holds coffee hot for about 2 hours. For best results, preheat the carafe by filling it with hot water, let sit for 30 seconds, then empty before beginning to brew.

**\*\*NOTE:** Opening lid during the brew will stop water flowing into the funnel. Coffee will stop flowing out of the funnel when drip-out is complete.

## BREWING CHART

| WATER |        | COFFEE      |
|-------|--------|-------------|
| Cups  | Ounces | Tablespoons |
| 4     | 20     | 4-5         |
| 6     | 30     | 6-7         |
| 8     | 40     | 8-9         |
| 10    | 50     | 10-11       |

# BASIC CLEANING

## **FOR SPEED BREW MODELS:** *(Excluding Thermal models)*

- Wash the brew funnel and glass carafe after each use.
- Both are top rack dishwasher safe.

**Important:** Separate the carafe lid from the carafe when washing in the dishwasher, and use the top shelf only for both the glass and the lid. If washing by hand, use a mild, non-abrasive dish soap.

- Wipe the outside of the coffee maker occasionally, including the area above the brew funnel.

**NOTE:** After wipe down, ensure that the warmer switch is in the OFF position.

## **FOR THERMAL MODELS:**

**Important:** Do not place thermal unit in dishwasher. Do not use an abrasive device to clean the carafe, because it will scratch the stainless steel. Occasionally, remove the brew-through valve on the Thermal Carafe lid and clean with mild, non-abrasive detergent. To remove the valve, lift at the edge and pull up. Be sure to clean the passage where the valve is located.

**NOTE:** Brew-through valve is not used with a CSB3T carafe.

- To remove coffee stains from inside the thermal carafe, place a paper filter in the brew funnel and pour 2 teaspoons of powder dishwasher detergent into the brew funnel.
- Pour one carafe of water into the coffee maker.
- Place the carafe under the funnel and close the lid.
- When the brewing cycle stops, remove the brew funnel and discard the filter.
- Rinse the funnel.
- Allow the carafe to sit for about 15 minutes.
- Use a soft bristled brush to clean the inside and outer rim of the carafe.
- Scrub the carafe pour lip and lid with a soft cloth, warm water and mild detergent.
- When finished, pour out the solution in the carafe.
- Rinse the carafe and the lid.

# CLEANING THE SPRAYHEAD

Cleaning the sprayhead tube removes deposits formed by natural mineral content in your water. The more mineral content in your water, the more you should clean.

A good rule of thumb is to clean the sprayhead every 3 months. If you have very hard water, then twice a month may be necessary.

**You will need:** a toothpick, dish soap, and a soft cloth.

- Press the tank power switch to the OFF position, unplug the coffee maker and allow it to cool for at least 30 minutes.

**NOTE:** Water in reservoir may still be hot. Do not tip the machine.

- Remove the funnel and unscrew the sprayhead, loosening with your fingertips.
- Check the sprayhead holes and clear any deposits with the toothpick.
- Clean the sprayhead with a cloth and dish soap. Rinse with water.

- Reinstall the sprayhead.
- Reinsert the brew funnel.
- Plug in the coffee maker. Press the tank power switch to the ON position.
- Wait 15 minutes for the water in the tank to reach brew temperature.
- Your machine is again ready for brewing.

**NOTE:** Cleaning the sprayhead tube with a delimiting tool removes deposits formed by natural mineral content in your water. The more mineral content in your water, the more you should clean.

A good rule of thumb is to clean the machine, sprayhead tube and sprayhead every 3 months. If you have very hard water, then twice a month may be necessary if the brew time slows. See the Troubleshooting section if brew time is too slow.

**NOTE:** For a replacement sprayhead or delimiting tool, call customer service at 1-800-352-2866 (USA) or 1-800-263-2256 (Canada).

# ROUTINE CLEANING

Routinely clean your coffee maker every 3 months. More frequency may be needed, depending on the mineral content in your water.

Routine cleaning of your coffee maker removes mineral deposits in the internal hot water tank and will prolong the life of your coffee maker.

**You will need:** 1 quart (32oz) of white vinegar, a toothpick and dish soap.

- Slide the brew funnel into the funnel rails.
- Place the carafe under the funnel.
- Open the lid and pour the vinegar into the coffee maker.
- Close the lid. Empty the carafe when liquid stops flowing.
- Leave switch in the ON position and allow the vinegar to sit in the coffee maker for at least 2 hours.
- After at least 2 hours, flip the tank switch to the OFF position and unplug the coffee brewer. Allow it to cool for at least 30 minutes.

- Remove the brew funnel and unscrew the sprayhead. Check the sprayhead holes and clear any deposits with the toothpick.
- Clean the sprayhead with a cloth and dish soap.
- Rinse with water.
- Reinsert the funnel.
- Pour a carafe of fresh water into the coffee maker. Place the carafe under the funnel.
- Close the lid (the water will begin to flush out the vinegar from the internal hot water tank).
- Empty the carafe when the liquid stops flowing.
- Repeat the process of cycling fresh cold water 3 or more times, or until you no longer smell vinegar.
- Remove the funnel and reattach the sprayhead.
- Replace the funnel and place the carafe under the funnel. Plug in the coffee maker. Flip the tank switch to the ON position.
- Allow the water in the tank to reach brewing temperature (which should take about 15 minutes). Your coffee maker is again ready for brewing.

**Questions?** Contact customer service at:  
1-800-352-2866 (USA) or 1-800-263-2256 (Canada).

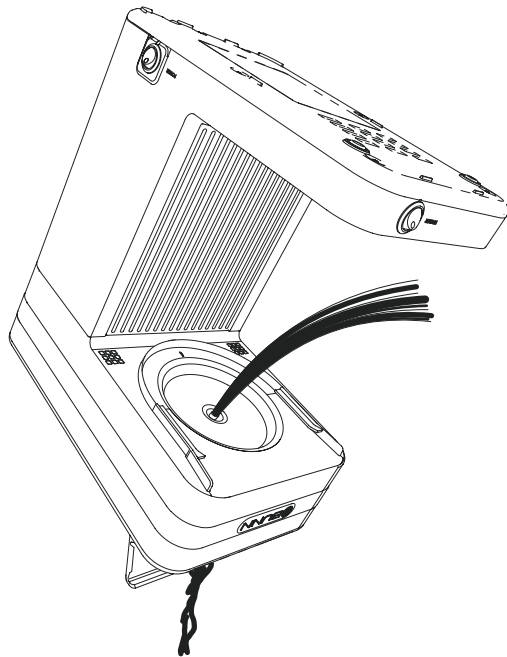
# DRAINING THE COFFEE MAKER

## WATER IN THE COFFEE MAKER SHOULD BE DRAINED WHEN THE COFFEE MAKER IS:

- Transported
- Shipped
- Stored in an unheated location with a chance of freezing
- Not to be used for an extended period of time

## TO DRAIN:

- 1 Flip the tank switch to the OFF position, unplug the coffee maker and allow it to cool for at least 2 hours.
- 2 Remove the funnel and the sprayhead, loosening with your fingertips.
- 3 Grasp the back of the coffee maker and turn it upside down over a sink.
- 4 Continue tipping the coffee maker until the flow from the sprayhead tube and lid stops.
- 5 Attach the sprayhead and insert funnel into coffee maker.
- 6 Return the coffee maker to the upright position.



# TROUBLESHOOTING

|  |   |
|--|---|
| <b>COFFEE IS COLD</b>                    | <ul style="list-style-type: none"><li>• Check if coffee maker is plugged in, and if Tank Power Switch is ON. If the coffee maker was not ON, wait 15 minutes for tank to reach operating temperature.</li><li>• Tank may not have reached operating temperature before brewing. The tank will reach operating temperature 15 minutes after the coffee maker has been turned ON, or after a brew cycle.</li></ul>  |
| <b>COFFEE MAKER MAKES RUMBLING NOISE</b> | <ul style="list-style-type: none"><li>• This is normal if it occurs after a brew, or intermittently throughout the day. This occurs as the water in the tank reheats.</li><li>• This sound may indicate that there is lime build-up on the heater. Clean the unit as directed in the ROUTINE CLEANING section of the manual.</li></ul>  |
| <b>WATER FLOWS BEFORE LID IS CLOSED</b>  | <ul style="list-style-type: none"><li>• Make sure lid is completely open to activate the rubber stopper in the pour-in bowl.</li><li>• The coffee maker is not designed to hold water in the pour-in bowl overnight.</li><li>• Remove the top cover to ensure that the rubber stopper is in place and the area is clean.</li></ul>  |
| <b>FUNNEL OVERFLOWS</b>                  | <ul style="list-style-type: none"><li>• Are you using BUNN filters? Other filters may be the wrong size or porosity. You can order more BUNN filters at <a href="http://bunn.com">bunn.com</a>.</li><li>• Check to see if sprayhead is in place. If sprayhead is missing, the funnel will overflow</li><li>• If you brew decaf, use fine ground coffee, or have soft water, you may require use of a special flow restrictor sprayhead. One can be obtained by completing an online form at <a href="http://retail.bunn.com/support/support-request">retail.bunn.com/support/support-request</a> or by calling 1-800-352-2866 (USA) or 1-800-263-2256 (Canada).</li></ul> |

# TROUBLESHOOTING

|   |   |
|---|---|
| <b>COFFEE ONLY<br/>PARTIALLY BREWED</b> | <ul style="list-style-type: none"><li>• If the coffee maker has been left ON for an extended time without being used, then the water tank may need to be topped off. Now that the tank has been refilled, brewing should provide the same volume as normal.</li></ul> <p><b>NOTE:</b> There will always be slightly less volume of brewed coffee than water poured in the coffee maker due to water absorbed by the coffee grounds.</p>   |
| <b>BREW TIME IS<br/>TOO SLOW</b>        | <ul style="list-style-type: none"><li>• Sprayhead holes may be clogged. Clean the sprayhead as directed in the CLEANING THE SPRAYHEAD section of the manual.</li><li>• The tank and sprayhead tube may have lime build-up. Clean the unit as directed in the ROUTINE CLEANING section of the manual.</li><li>• If the previous solutions do not work, you may need a deliming tool to remove excess lime build-up on the sprayhead tube. A deliming tool can be obtained by completing an online form at <a href="https://retail.bunn.com/support/support-request">retail.bunn.com/support/support-request</a> or by calling 1-800-352-2866 (USA) or 1-800-263-2256 (Canada).</li></ul> |
| <b>COFFEE MAKER<br/>LEAKS</b>           | <ul style="list-style-type: none"><li>• Call 1-800-352-2866 (USA), 1-800-263-2256 (Canada) or visit <a href="https://retail.bunn.com/support/support-request">https://retail.bunn.com/support/support-request</a></li></ul> <p><b>NEVER DISASSEMBLE THE COFFEEMAKER. THERE ARE NO USER SERVICEABLE PARTS INSIDE.</b></p>  |



# TROUBLESHOOTING

|                                    |   |
|------------------------------------|---|
| <b>COFFEE DOESN'T<br/>COME OUT</b> | <ul style="list-style-type: none"><li>• Were at least 20oz of water poured into the coffee maker? Between 20oz and 50oz of water must be poured in for proper brewing. (See HOW TO BREW section of manual).</li><li>• Check that pour-in lid is closed. Water is not released from the reservoir to the tank until the lid is closed.</li><li>• If coffee maker has been left ON for an extended period without being used, the water level in the tank may need to be topped off. Press power switch OFF, unplug the coffee maker, and go through the setup process until water begins to flow as directed in the INITIAL SETUP section of the manual.</li><li>• Has the coffee maker been in storage. Go through the initial setup as directed in the INITIAL SETUP section of the manual.</li><li>• If there is still water in the pour-in bowl, the sprayhead may be clogged. Clean the sprayhead as directed in the CLEANING THE SPRAYHEAD section of the manual.</li><li>• If the previous solutions do not work, you may need a deliming tool to remove excess lime build-up. One can be obtained by completing an online form at <a href="https://retail.bunn.com/support/support-request">retail.bunn.com/support/support-request</a> or by calling 1-800-352-2866 (USA) or 1-800-263-2256 (Canada).</li></ul> |
| <b>NEED HELP?</b>                  | <ul style="list-style-type: none"><li>• Visit <a href="https://retail.bunn.com/support/support-request">https://retail.bunn.com/support/support-request</a></li><li>• Call 1-800-352-2866 (USA) or 1-800-263-2256 (Canada)</li></ul>  |

# WARRANTY

Bunn-O-Matic Corporation (“**BUNN**”) warrants the **BUNN**® Speed Brew Coffee maker, except glass carafe, to be free from defects in materials and workmanship existing at the time of manufacture and appearing within the later of the following warranty periods:

- a) Three (3) years from the date of original purchase of a **NEW** Coffee maker with delivery of a valid receipt evidencing such purchase or, in the absence of such a receipt, from the date of manufacture; or
- b) One (1) year from the date a **REPLACEMENT** Coffee maker is received by customer, in the case **BUNN** determined a coffee maker returned within the **NEW** Coffee maker warranty period required a replacement.
- c) One (1) year from the date of original purchase for thermal carafes included with a **NEW** Coffeemaker with delivery of a valid receipt evidencing such purchase or, in the absence of such a receipt, from the date of manufacture. Glass carafes are excluded.

If such a defect appears during the warranty period, we will (at our sole option) replace the defective Coffee maker, provided Coffee maker is returned at the customer’s expense. See page 5 for customer service info.

Warranty does not cover claims resulting from misuse, failure to follow instructions on installation, set up and use, use with water having a high mineral content, neglect, use of unauthorized attachments, commercial use, use on a current or voltage other than specified on the Coffee maker, lack of maintenance or cleaning, or unauthorized service during the warranty period on conditions otherwise covered by warranty.

**THIS WARRANTY SHALL BE EXCLUSIVE AND SHALL BE IN LIEU OF ANY OTHER WARRANTY, WRITTEN, ORAL, OR IMPLIED INCLUDING BUT NOT LIMITED TO ANY IMPLIED WARRANTY OF MERCHANTABILITY OR FITNESS FOR A PARTICULAR PURPOSE.** In any event, the duration of any warranties implied by law, including but not limited to any implied warranties of merchantability or fitness for a particular purpose, is expressly limited to the duration of this limited

# WARRANTY

warranty. Some states do not allow time limitations on implied warranties, so the above limitation may not apply to you.

THE CUSTOMER'S EXCLUSIVE REMEDY FOR BREACH OF THIS WARRANTY OR OF ANY IMPLIED WARRANTY, OR OF ANY OTHER OBLIGATION ARISING BY OPERATION OF LAW OR OTHERWISE, SHALL BE LIMITED AS SPECIFIED HEREIN TO REPAIR OR REPLACEMENT, AT OUR SOLE OPTION. IN ANY EVENT, RESPONSIBILITY FOR SPECIAL, INCIDENTAL AND CONSEQUENTIAL DAMAGES IS EXPRESSLY EXCLUDED. Some states do not allow limitation or exclusion of incidental or consequential damages, so the above limitation or exclusion may not apply to you.

This warranty gives you specific legal rights; you may have other rights, which vary from state to state.

## TRADEMARKS

**BUNN** Pour-O-Matic, **BUNN**, **BUNN** with the stylized red line, The Horizontal Red Line, Bunn-OMatic, Bunn-O-Matic, Velocity Brew, My Café, Speed Brew, Phase Brew, trifacta, Air Infusion, Quality Beverage Equipment Worldwide, The Mark of Quality in Beverage Equipment Worldwide, A Partner You Can Count On, Brew Better Not Bitter, Brew better, not bitter., Coffee At Its Best, Nothing Brews Like a **BUNN**, Respect Earth, Respect Earth with the stylized leaf and coffee cherry design, are either trademarks or registered trademarks of Bunn-O-Matic Corporation.

ENJOY



# MANUAL DEL PROPIETARIO DE SPEED BREW

Para modelos: GRX, BX, SBS, CSB1, CSB2, BTX y CSB3T





# ADVERTENCIA

RIESGO DE INCENDIO O DESCARGA ELÉCTRICA



PARA REDUCIR EL RIESGO DE INCENDIO O  
DESCARGA ELÉCTRICA

NO DESARME LA CAFETERA  
NO HAY PARTES EN EL INTERIOR QUE EL  
USUARIO PUEDA REPARAR

LA REPARACIÓN SOLO PUEDE REALIZARLA  
PERSONAL DE SERVICIO TÉCNICO AUTORIZADO



Este símbolo alerta de instrucciones operacionales y de servicio importantes.



Este símbolo alerta del riesgo de incendio o descarga eléctrica en el mensaje asociado.

**NOTA:** El cable de alimentación corto suministrado reduce el riesgo de quedar enredado o de tropezar en caso de cables más largos.

Si se utiliza un cable de extensión, su capacidad de corriente debe ser por lo menos la misma de la cafetera.

Asegúrese de que el cable de extensión no cuelgue sobre el borde de una mesa ni cubierta, para no tropezar ni que los niños puedan tirar de él. El cable de extensión debe ser un cable de 3 hilos o de un tipo de 3 secciones, de 3 clavijas, con conexión a tierra (incluido el conductor de protección).



## **IMPORTANTE:**

**NO ENCHUFE LA CAFETERA HASTA LEER LA SECCIÓN "CONFIGURACIÓN INICIAL".**

**LEA TODAS LAS INSTRUCCIONES ANTES DE COMENZAR.**

### **ESPECIFICACIONES**

**CAPACIDAD DE PERCOLACIÓN:** 4 a 10 tazas (150 ml) por carga

**ELECTRICIDAD:** Clasificación UL y C-UL SOLO PARA USO DOMÉSTICO. La cafetera presenta un cable fijo de 3 clavijas con toma de tierra y requiere una conexión de 2 hilos con conexión a tierra.

#### **CAPACIDAD DE CORRIENTE:**

GRX: 120 voltios CA, 7.5 amperios, monofásico, 60 Hz, 900 vatios

BX: 120 voltios CA, 7.5 amperios, monofásico, 60 Hz, 900 vatios

SBS: 120 voltios CA, 7.5 amperios, monofásico, 60 Hz, 900 vatios

CSB1: 120 voltios CA, 7.5 amperios, monofásico, 60 Hz, 900 vatios

CSB2: 120 voltios CA, 7.5 amperios, monofásico, 60 Hz, 900 vatios

BTX: 120 voltios CA, 7 amperios, monofásico, 60 Hz, 850 vatios

CSB3T: 120 voltios CA, 7 amperios, monofásico, 60 Hz, 850 vatios

No diseñada para locaciones a gran altitud por encima de 1200 metros Existen unidades para grandes altitudes. Consulte [BUNN.COM](http://BUNN.COM) para más detalles.

# ÍNDICE

|                                |    |
|--------------------------------|----|
| PRIMEROS PASOS.....            | 25 |
| ELEMENTOS DE LA CAFETERA ..... | 26 |
| PROTECCIÓN .....               | 27 |
| CONFIGURACIÓN INICIAL.....     | 28 |
| CÓMO PERCOLAR.....             | 30 |
| CUIDADO Y LIMPIEZA .....       | 31 |
| RESOLUCIÓN DE PROBLEMAS.....   | 35 |
| GARANTÍA .....                 | 38 |
| <hr/>                          |    |
| <u>Inglés</u> .....            | 2  |
| <u>Français</u> .....          | 41 |



## PRIMEROS PASOS

Registre el modelo y código de fecha antes del uso. El modelo y el código de fecha se encuentran en la parte inferior de su cafetera.

MODELO: \_\_\_\_\_  
GRX, BX, SBS, CSB1, CSB2, BTX o CSB3T

CÓDIGO DE FECHA: \_\_\_\_\_

**Registre su producto:**

<https://retail.bunn.com/support/product-registration>

**¿Alguna pregunta?**

Vaya a:

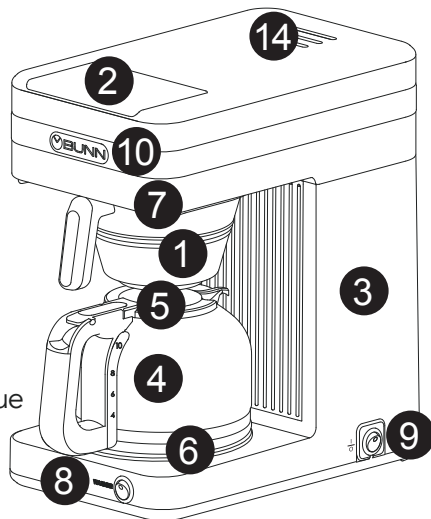
<https://retail.bunn.com/support/support-request>  
o llame al servicio al cliente al 1-800-352-2866 (EE. UU.) o 1-800-263-2256 (Canadá).

Tenga preparados el modelo y el código de fecha cuando llame al servicio al cliente.

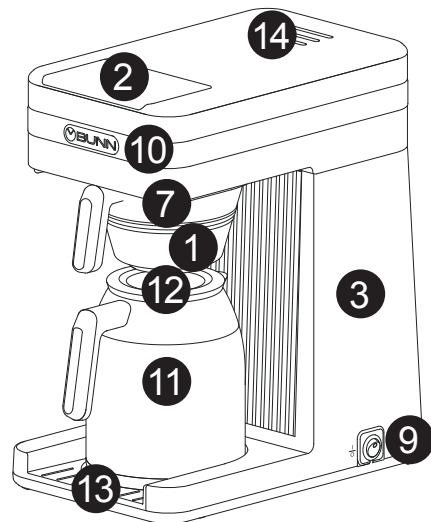
# ELEMENTOS DE LA CAFETERA

## ELEMENTOS

- 1 Embudo para colar
- 2 Tapa
- 3 Tanque de agua caliente interno
- 4 Jarra de cristal antigoteo
- 5 Tapa de la jarra
- 6 Placa calentadora
- 7 Cabezal rociador
- 8 Interruptor de la placa calentadora
- 9 Interruptor de encendido del tanque
- 10 Recipiente de vertido
- 11 Jarra térmica
- 12 Tapa de la jarra térmica
- 13 Base
- 14 Cubierta superior



Con jarra de cristal



Con jarra térmica

Los modelos se muestran como referencia. Es posible que su percoladora sea diferente.

# PROTECCIÓN

## IMPORTANTE

Siga las medidas básicas de seguridad al utilizar aparatos electrodomésticos para así reducir el riesgo de incendio, descarga eléctrica y lesiones.

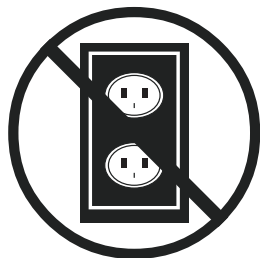
- LEA TODAS LAS INSTRUCCIONES DE ESTE MANUAL.
- Actúe con precaución. Esta cafetera prepara líquidos muy calientes: podría sufrir quemaduras.
- Coloque y use la cafetera en una superficie plana.
- No toque las superficies calientes. Use las asas.
- No incline la cafetera.
- Para evitar descargas eléctricas, no introduzca el cable, enchufes ni la cafetera en agua ni otros líquidos.
- La cafetera requiere una estrecha supervisión si se usa cerca de niños.
- El tanque de agua caliente interno contiene agua caliente. Antes de retirar o sustituir piezas, apague el interruptor de encendido, desenchufe la cafetera y déjela enfriar (2 horas como mínimo).
- No haga funcionar la cafetera si el cable o el enchufe están dañados o existe otra avería o daño. Regrese el aparato a un centro de servicio autorizado para su inspección, reparación o ajuste.

- Utilizar un accesorio no evaluado para su uso con esta cafetera podría causar lesiones.
- Use la cafetera solo en interiores.
- No deje que el cable cuelgue sobre el borde de una mesa ni cubierta.
- No coloque la cafetera sobre ni cerca de un quemador eléctrico o a gas que esté caliente, en un horno caliente ni sobre otra área caliente.
- No use la jarra sobre una hornilla ni en un microondas.
- No use la cafetera para ningún otro fin que su uso previsto.
- No retire el embudo para colar ni la jarra durante la percolación.
- No coloque la jarra caliente en una superficie fría.
- No use una jarra agrietada o que tenga el asa suelta o débil.
- No vierta ningún líquido en el tanque de agua caliente interno que no sea agua o vinagre para limpieza, tal y como se especifica en este manual.
- No limpie la jarra con limpiadores, estropajo de acero ni otros materiales abrasivos.
- Cuando no se use la cafetera, mantenga la tapa en posición cerrada.
- Para desconectarla, coloque todos los controles en la posición de APAGADO; luego, desenchufe la cafetera de la toma de pared.

**SOLO PARA USO DOMÉSTICO**

**GUARDE ESTAS INSTRUCCIONES**

## CONFIGURACIÓN INICIAL



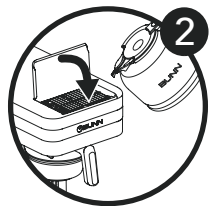
**NO ENCHUFE LA CAFETERA HASTA EL PASO 5 POR EL RIESGO DE DAÑAR LA MÁQUINA PERMANENTEMENTE.**

Siga los pasos de la página siguiente para una configuración adecuada.

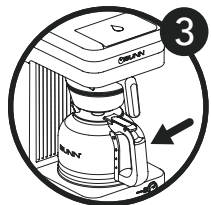
# CONFIGURACIÓN INICIAL



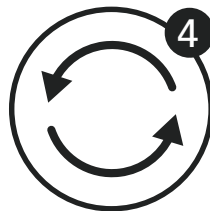
Deslice el embudo para colar aún vacío por los rieles para embudo.



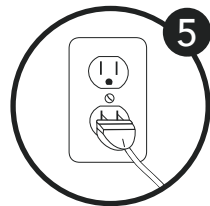
Llene la jarra con agua.  
Vierta el agua dentro de la cafetera.  
**NOTA:** Mantenga la tapa abierta.



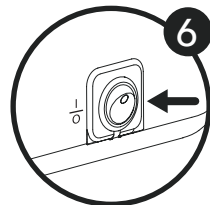
Coloque la jarra bajo el embudo.  
Cierre la tapa.  
Espere 4 minutos mientras el tanque interno se llena parcialmente.



Repita los pasos 2 y 3 hasta que el agua fluya desde el embudo.



Enchufe la cafetera.



Presione el interruptor de encendido que se encuentra a un lado.  
(I = ENCENDIDO, O = APAGADO)  
Espere 15 minutos a que se caliente el agua del tanque.

¿ALGUNA PREGUNTA?

<https://retail.bunn.com/support/products/speed-brew>

LISTA PARA LA PERCOLACIÓN (SIGUIENTE PÁGINA)

# CÓMO PERCOLAR

- 1 Coloque un filtro de café **BUNN®** en el embudo para colar
- 2 Ponga café molido en el filtro
- 3 Agite con cuidado el embudo para colar para balancear el café molido
- 4 Deslice el embudo por los rieles para embudo
- 5 Llene la jarra con agua: *600 ml para 4 tazas, 1,500 ml para 10 tazas.*
- 6 Abra la tapa y vierta agua dentro de la cafetera
- 7 Coloque la jarra en la placa calentadora (o en la base en caso de los modelos con jarra térmica\*)
- 8 Cierre la tapa\*\*
- 9 Coloque el interruptor del calentador en ON para una cafetera con jarra de vidrio
- 10 Espere 4 minutos hasta que se complete el goteo

**\*NOTA:** Su jarra térmica conserva el café caliente por unas 2 horas. Para obtener mejores resultados, precaliente la jarra llenándola con agua caliente, déjela reposar por 30 segundos y vacíela antes de comenzar la percolación.

**\*\*NOTA:** Abrir la tapa durante la percolación hará que el agua deje de fluir hacia el embudo. Dejará de salir café del embudo cuando se complete el goteo.

**TABLA DE PERCOLACIÓN**

| AGUA  |       | CAFÉ       |
|-------|-------|------------|
| Tazas | Ouzas | Cucharadas |
| 4     | 20    | 4-5        |
| 6     | 30    | 6-7        |
| 8     | 40    | 8-9        |
| 10    | 50    | 10-11      |

# LIMPIEZA BÁSICA

**PARA MODELOS SPEED BREW:** *(excepto los modelos con jarra térmica)*

- Lave el embudo para colar y la jarra de agua después de cada uso.
- Ambos son aptos para lavar en la rejilla superior del lavavajillas.

**Importante:** Separe la tapa de la jarra al lavar en lavavajillas y use solo la rejilla superior para la jarra de cristal y la tapa. Si lava a mano, use un jabón para trastes suave y no abrasivo.

- Limpie el exterior de la cafetera cada cierto tiempo, incluida el área sobre el embudo para colar.

**NOTA:** Después de limpiar, asegúrese de que el interruptor de la placa calentadora esté en la posición de APAGADO.

## PARA LOS MODELOS CON JARRA TÉRMICA:

**Importante:** No coloque la unidad térmica en el lavavajillas. No use un instrumento abrasivo para limpiar la jarra, dado que rayaría el acero inoxidable. Cada cierto tiempo, retire la válvula de paso de percolación de la tapa de la jarra térmica y limpie con detergente suave y no abrasivo. Para retirar la válvula, eleve un borde y tire hacia arriba. Asegúrese de limpiar el paso donde se ubica la válvula (no todos los modelos tienen válvula).

**NOTA:** La válvula de preparación no se usa con una jarra CSB3T.

- Para eliminar las manchas de café del interior de la jarra térmica, coloque un filtro de papel en el embudo para colar y eche 2 cucharaditas de detergente para lavavajillas en el embudo para colar.
- Vierta una jarra de agua dentro de la cafetera.
- Coloque la jarra bajo el embudo y cierre la tapa.
- Cuando se detenga el ciclo de percolación, retire el embudo para colar y deseche el filtro.
- Enjuague el embudo.
- Deje reposar la jarra por unos 15 minutos.
- Use un cepillo de cerdas suaves para limpiar el interior y el borde exterior de la jarra.
- Frote el reborde de la jarra y la tapa con un paño suave, agua tibia y detergente suave.
- Cuando termine, vierta la solución dentro de la jarra.
- Enjuague la jarra y la tapa.

# LIMPIEZA DEL CABEZAL ROCIADOR

Limpiar el tubo del cabezal rociador elimina los depósitos formados por el contenido mineral natural presente en el agua. Cuanto más mineral exista en el agua, más frecuentemente debe limpiarse.

Una buena regla general es limpiar el rociador cada 3 meses. Si tiene agua muy dura, entonces puede ser necesario dos veces al mes.

**Necesitará:** un mondadientes, jabón para trastes y un paño suave.

- Coloque el interruptor de encendido del tanque en la posición de APAGADO, desenchufe la cafetera y deje que se enfríe por al menos 30 minutos.

**NOTA:** El agua en el depósito aún puede estar caliente. No incline la máquina.

- Retire el embudo y desenrosque el cabezal rociador, aflojándolo con las yemas de los dedos.
- Cheque los orificios del cabezal rociador y limpie los depósitos con el mondadientes.
- Limpie el cabezal rociador con un paño y jabón para trastes. Enjuague con agua.

- Instale de nuevo el cabezal rociador.
- Inserte de nuevo el embudo.
- Enchufe la cafetera. Coloque el interruptor de encendido del tanque en la posición de ENCENDIDO.
- Espere 15 minutos para que el agua del tanque alcance la temperatura de percolación.
- De nuevo, su máquina está lista para la percolación.

**NOTA:** La limpieza de la varilla rociadora con una herramienta descalcificadora elimina los depósitos formados por el contenido mineral natural del agua. Cuanto más contenido mineral haya en el agua, más necesitarás limpiar.

Una buena regla general es limpiar la máquina, la varilla rociadora y el cabezal rociador cada 3 meses. Si tiene agua muy dura, entonces puede ser necesario dos veces al mes si el tiempo de preparación se ralentiza. Consulte la sección Solución de problemas si el tiempo de preparación es demasiado lento.

**NOTA:** Para obtener un cabezal rociador de repuesto o una herramienta de descalcificación, llame al servicio de atención al cliente al 1-800-352-2866 (EE. UU.) o al 1-800-263-2256 (Canadá).



# LIMPIEZA RUTINARIA

Realice la limpieza de rutina de su cafetera cada 3 meses. En función del contenido mineral del agua, tal vez tenga que hacerlo con más frecuencia.

La limpieza rutinaria de su cafetera elimina depósitos minerales en el tanque de agua caliente interno y prolongará la vida de su cafetera.

**Necesitará:** 1 l de vinagre blanco, un mondadientes y jabón para trastes.

- Deslice el embudo para colar por los rieles para embudo.
- Coloque la jarra bajo el embudo.
- Abra la tapa y vierta el vinagre dentro de la cafetera.
- Cierre la tapa. Vacíe la jarra cuando deje de fluir líquido.
- Deje el interruptor en la posición ON y permita que el vinagre se asiente en la cafetera durante al menos 2 horas.
- Después de al menos 2 horas, mueva el interruptor del tanque a la posición APAGADO y desenchufe la cafetera. Deje que se enfríe durante al menos 30 minutos.

- Retire el embudo para colar y desenrosque el cabezal rociador. Cheque los orificios del cabezal rociador y limpie los depósitos con el mondadientes.
- Limpie el cabezal rociador con un paño y jabón para trastes.
- Enjuague con agua.
- Coloque de nuevo el embudo.
- Vierta una jarra de agua limpia dentro de la cafetera. Coloque la jarra bajo el embudo e inserte de nuevo el embudo.
- Cierre la tapa (el agua hará que el vinagre salga del tanque de agua caliente interno).
- Vacíe la jarra cuando deje de fluir líquido.
- Repita el ciclo de agua limpia fría 3 veces o más o hasta que ya no huela a vinagre.
- Retire el embudo y conecte de nuevo el cabezal rociador.
- Coloque de nuevo el embudo y coloque la jarra bajo el embudo. Enchufe la cafetera. Voltee el interruptor del tanque a la posición de ENCENDIDO.
- Deje que el agua del tanque alcance la temperatura de percolación (debería tomar unos 15 minutos). De nuevo, su cafetera está lista para la percolación.

¿Alguna pregunta? Contacte con el servicio al cliente en: 1-800-352-2866 (EE. UU.) o 1-800-263-2256 (Canadá).

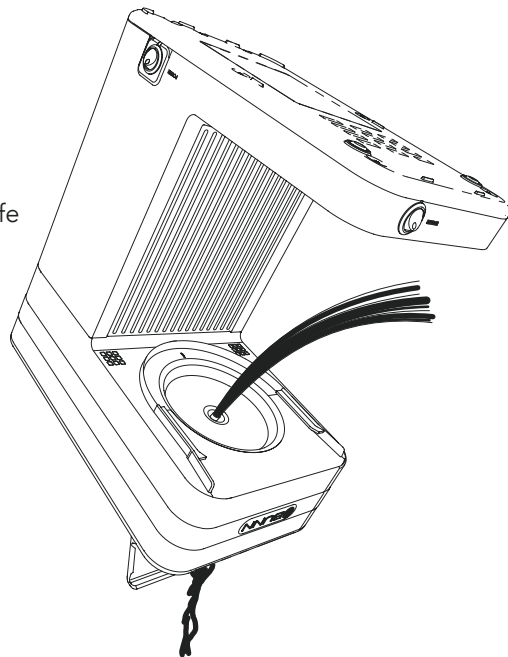
# DRENADO DE LA CAFETERA

## ES NECESARIO DRENAR EL AGUA DE LA CAFETERA SI:

- Transporta la cafetera
- La envía a otro lugar
- La almacena en una locación sin calefacción donde se puede congelar
- No la utilizará por un largo período de tiempo

## PARA EL DRENAJE:

- 1 Voltee el interruptor del tanque a la posición de APAGADO, desenchufe la cafetera y deje que se enfríe al menos por 2 horas.
- 2 Retire el embudo y el cabezal rociador, aflójelo con las yemas de los dedos.
- 3 Agarre la parte posterior de la cafetera y voltéela sobre un fregadero.
- 4 Continúe volcando la cafetera hasta que se detenga el flujo del tubo del cabezal rociador y de la tapa.
- 5 Acople el cabezal rociador e inserte el embudo en la cafetera.
- 6 Regrese la cafetera a la posición vertical.



# RESOLUCIÓN DE PROBLEMAS

|   |   |
|---|---|
| <b>EL CAFÉ ESTÁ FRÍO</b>                  | <ul style="list-style-type: none"><li>• Cheque si la cafetera está enchufada y si el interruptor de encendido del tanque está la posición de ENCENDIDO. Si la cafetera no estaba en la posición de ENCENDIDO, espere 15 minutos para que el tanque alcance la temperatura operacional.</li><li>• Es posible que el tanque no alcance la temperatura operacional antes de la percolación. El tanque alcanzará la temperatura operacional 15 después de encender la cafetera o después de un ciclo de percolación.</li></ul>  |
| <b>LA CAFETERA EMITE UN RUIDO SORDO</b>   | <ul style="list-style-type: none"><li>• Es normal si se produce tras una percolación o es intermitente a lo largo del día. Ocurre a medida que el agua del tanque se calienta de nuevo.</li><li>• Este sonido puede indicar que existe cal incrustada en el calentador. Limpie la unidad como se indica en la sección LIMPIEZA RUTINARIA de este manual.</li></ul>  |
| <b>FLUYE AGUA ANTES DE CERRAR LA TAPA</b> | <ul style="list-style-type: none"><li>• Asegúrese de que la tapa esté completamente abierta para activar el tapón de goma del recipiente de vertido.</li><li>• La cafetera no está diseñada para contener agua caliente en el recipiente de vertido toda la noche.</li><li>• Retire la tapa superior para asegurarse de que el tapón de goma esté en su lugar y el área esté limpia.</li></ul>  |
| <b>EL EMBUDO SE DESBORDA</b>              | <ul style="list-style-type: none"><li>• ¿Utiliza filtros de BUNN? Otros filtros tal vez no sean del tamaño adecuado ni tengan la porosidad correcta. Puede ordenar más filtros de BUNN en <a href="http://bunn.com">bunn.com</a>.</li><li>• Cheque si el cabezal rociador está en su lugar. Si el cabezal rociador no está instalado, el embudo se desbordará.</li><li>• Si percola café descafeinado, usa café molido fino o el agua es blanda, puede requerir un cabezal rociador especial con limitador de caudal. Puede obtener uno si completa un formulario en línea en <a href="http://retail.bunn.com/support/support-request">retail.bunn.com/support/support-request</a> o llama al 1-800-352-2866 (EE. UU.) o 1-800-263-2256 (Canadá).</li></ul> |

# RESOLUCIÓN DE PROBLEMAS

|  |   |
|--|---|
| <b>CAFÉ SOLO PARCIALMENTE PERCOLADO</b>            | <ul style="list-style-type: none"><li>• Si la cafetera estuvo encendida demasiado tiempo sin utilizarse, es posible que sea necesario rellenar el tanque de agua. Después de rellenar el tanque, la percolación debería generar el mismo volumen de agua que en condiciones normales.</li></ul> <p><b>NOTA:</b> El volumen de café percolado siempre será algo menor que el agua que vierta en la cafetera, debido al agua que absorbe el café molido.</p>  |
| <b>EL TIEMPO DE PERCOLACIÓN ES DEMASIADO LENTO</b> | <ul style="list-style-type: none"><li>• Es posible que los orificios del cabezal rociador estén obstruidos. Limpie el cabezal rociador como se indica en la sección LIMPIEZA DEL CABEZAL ROCIADOR de este manual.</li><li>• Es posible que el tanque y el cabezal rociador tengan cal incrustada. Limpie la unidad como se indica en la sección LIMPIEZA RUTINARIA de este manual.</li><li>• Si las soluciones anteriores no dan resultado, tal vez necesite una herramienta para desprender el exceso de cal incrustada. Puede obtener una si completa un formulario en línea en <a href="http://www.bunn.com/home-products/parts-form">www.bunn.com/home-products/parts-form</a> o llama al 1-800-352-2866 (EE. UU.) o 1-800-263-2256 (Canadá).</li></ul> |
| <b>LA CAFETERA GOTEA</b>                           | <ul style="list-style-type: none"><li>• Llame al 1-800-352-2866 (EE. UU.), 1-800-263-2256 (Canadá) o visite <a href="https://retail.bunn.com/support/products">https://retail.bunn.com/support/products</a>.</li></ul> <p><b>NO DESARME NUNCA LA CAFETERA. NO HAY PARTES EN EL INTERIOR QUE EL USUARIO PUEDA REPARAR.</b></p>   |

# RESOLUCIÓN DE PROBLEMAS

|                         |   |
|-------------------------|---|
| <b>NO SALE CAFÉ</b>     | <ul style="list-style-type: none"><li>• ¿Vertió al menos 600 ml de agua en la cafetera? Debe verter entre 600 y 1,500 ml de agua para una percolación adecuada. (Consulte la sección CÓMO PERCOLAR de este manual).</li><li>• Cheque que la tapa de vertido esté cerrada. No sale agua del depósito al tanque hasta que se cierre la tapa.</li><li>• Si la cafetera estuvo encendida un largo período de tiempo sin utilizarse, es posible que sea necesario aumentar el nivel de agua del tanque. Coloque el interruptor de encendido en la posición de APAGADO, desenchufe la cafetera y lleve a cabo el proceso de configuración hasta que fluya agua, tal y como se indica en la sección CONFIGURACIÓN INICIAL de este manual.</li><li>• La cafetera estuvo almacenada. Vaya a la configuración inicial tal y como se indica en la sección CONFIGURACIÓN INICIAL de este manual.</li><li>• Si todavía queda agua en el recipiente de vertido, puede que el cabezal rociador esté obstruido. Limpie el cabezal rociador como se indica en la sección LIMPIEZA DEL CABEZAL ROCIADOR de este manual.</li><li>• Si las soluciones anteriores no dan resultado, tal vez necesite una herramienta para desprender el exceso de cal incrustada. Puede obtener una si completa un formulario en línea en <a href="https://retail.bunn.com/support/support-request">retail.bunn.com/support/support-request</a> o llama al 1-800-352-2866 (EE. UU.) o 1-800-263-2256 (Canadá).</li></ul> |
| <b>¿NECESITA AYUDA?</b> | <ul style="list-style-type: none"><li>• Visite <a href="https://retail.bunn.com/support/support-request">https://retail.bunn.com/support/support-request</a></li><li>• Llame al 1-800-352-2866 (EE. UU.) o 1-800-263-2256 (Canadá)</li></ul>  |

# GARANTÍA

La Corporación Bunn-O-Matic (en adelante, "BUNN") garantiza que la cafetera **BUNN**® Speed Brew, salvo la jarra de cristal, no presenta defectos en los materiales ni en la mano de obra en el momento de la fabricación y los últimos cuentan con estos períodos de garantía:

- a) Tres (3) años desde la fecha de compra original de una cafetera NUEVA con entrega de un recibo válido que demuestre dicha compra o, en ausencia de dicho recibo, desde la fecha de fabricación; o bien
- b) Un (1) año desde la fecha en la que el cliente recibe una cafetera DE REPUESTO, en el caso de que BUNN determinase que una cafetera regresada dentro del período de garantía de una cafetera NUEVA requería un reemplazo.
- c) Un (1) año a partir de la fecha de compra original para jarras térmicas incluidas con una Cafetera NUEVA con la entrega de un recibo válido que acredite dicha compra o, en su defecto, a partir de la fecha de fabricación. Se excluyen las garrafas de vidrio.

Si dicho defecto aparece durante el período de garantía, reemplazaremos (a nuestra entera discreción) la cafetera defectuosa, siempre que la cafetera se devuelva a cargo del cliente. Consulte la página 25 para obtener información sobre el servicio de atención al cliente.

La garantía no cubre reclamos que resulten del uso indebido, incumplimiento de las instrucciones de instalación, configuración y uso, uso con agua con un alto contenido de minerales, negligencia, uso de accesorios no autorizados, uso comercial, uso con una corriente o voltaje distintos a los especificados en la cafetera, la falta de mantenimiento o limpieza, o el servicio no autorizado durante el período de garantía en condiciones cubiertas por la garantía.

LA PRESENTE GARANTÍA SERÁ EXCLUSIVA Y SUSTITUYE CUALQUIER OTRA GARANTÍA ESCRITA, VERBAL O IMPLÍCITA, INCLUIDAS, ENTRE OTRAS, CUALQUIER GARANTÍA IMPLÍCITA DE COMERCIALIZACIÓN O ADECUACIÓN A FINES CONCRETOS. En todos los casos, la duración de las garantías implícitas estipuladas por la legislación, incluidas, entre otras, cualquier garantía implícita de comercialización o

# GARANTÍA

adecuación a fines concretos, estará limitada a la duración de la presente garantía limitada. Algunos estados no permiten la limitación del periodo de las garantías implícitas, por lo que tal vez la limitación anterior no se aplique a su caso.

EL ÚNICO RECURSO DEL CLIENTE EN CASO DE INCUMPLIMIENTO DE LA PRESENTE GARANTÍA O DE CUALQUIER GARANTÍA IMPLÍCITA, ASÍ COMO DE CUALQUIER OTRA OBLIGACIÓN DERIVADA DE LA APLICACIÓN DE LA LEY O DE OTRO TIPO, SE LIMITARÁ A LA REPARACIÓN O REEMPLAZO COMO SE ESTIPULA EN LA PRESENTE GARANTÍA Y SEGÚN CONSIDEREMOS OPORTUNO A TÍTULO EXCLUSIVO. EN CUALQUIER CASO, SE RECHAZA EXPRESAMENTE TODA RESPONSABILIDAD POR DAÑOS ESPECIALES, FORTUITOS Y CONSECUENTES. Algunos estados no permiten la limitación ni la exclusión de los daños fortuitos ni consecuentes, por lo que tal vez la limitación o exclusión anterior no se aplique a su caso.

La presente garantía le otorga derechos legales específicos; usted puede ostentar otros derechos que varían de un estado a otro.

## MARCAS REGISTRADAS

**BUNN** Pour-O-Matic, **BUNN**, **BUNN** con la línea roja estilizada, The Horizontal Red Line, Bunn-OMatic, Bunn-O-Matic, Velocity Brew, My Café, Speed Brew, Phase Brew, trifecta, Air Infusion, Quality Beverage Equipment Worldwide, The Mark of Quality in Beverage Equipment Worldwide, A Partner You Can Count On, Brew Better Not Bitter, Brew better, not bitter., Coffee At Its Best, Nothing Brews Like a **BUNN**, Respect Earth, Respect Earth con el diseño de la hoja estilizada y cereza de café; todas son marcas comerciales o marcas registradas de la Corporación Bunn-O-Matic.

QUE LA DISFRUTE





# SPEED BREW MANUEL DE L'UTILISATEUR

Modèles : GRX, BX, SBS CSB1, CSB2, BTX et CSB3T





## AVERTISSEMENT

RISQUE D'INCENDIE OU DE CHOC ÉLECTRIQUE



POUR RÉDUIRE LES RISQUES D'INCENDIE OU  
D'ÉLECTROCUTION

NE PAS DÉMONTER LA CAFETIÈRE  
AUCUNE PIÈCE RÉPARABLE PAR L'UTILISATEUR À  
L'INTÉRIEUR

LA RÉPARATION NE DOIT ÊTRE EFFECTUÉE QUE  
PAR DU PERSONNEL D'ENTRETIEN AUTORISÉ



Ce symbole vous avertit des instructions de service et d'entretien importantes.



Ce symbole vous avertit du risque d'incendie ou de choc électrique dans le message d'accompagnement.

**NOTE :** Le cordon d'alimentation court fourni réduit les risques de s'emmêler ou de trébucher sur un cordon plus long.

En cas d'utilisation d'une rallonge électrique, la puissance électrique indiquée doit être au moins égale à celle de la cafetière.

Assurez-vous que la rallonge ne dépasse pas du bord d'une table ou d'un comptoir et qu'elle ne peut pas être tirée par des enfants ou qu'on puisse trébucher dessus. La rallonge doit être une rallonge à 3 fils du type à 3 broches, à 3 douilles et mise à la terre (y compris le conducteur de mise à la terre).



## **IMPORTANT :**

**NE PAS BRANCHER AVANT D'AVOIR LU LA SECTION « CONFIGURATION INITIALE ».**

**VEUILLEZ LIRE TOUTES LES INSTRUCTIONS AVANT DE COMMENCER.**

### **CARACTÉRISTIQUES**

**CAPACITÉ D'INFUSION :** 4 à 10 tasses de 5 onces par lot

**ÉLECTRIQUE :** Répertoire UL et C-UL POUR USAGE DOMESTIQUE SEULEMENT. La cafetière est équipée d'un cordon de mise à la terre à 3 broches et nécessite un service à 2 fils avec mise à la terre.

#### **CONFORME AUX NORMES ÉLECTRIQUES :**

**GRX :** 120 volts CA, 7,5 A, monophasé, 60 Hz, 900 watts

**BX :** 120 volts CA, 7,5 A, monophasé, 60 Hz, 900 watts

**SBS :** 120 volts CA, 7,5 A, monophasé, 60 Hz, 900 watts

**CSB1 :** 120 volts CA, 7,5 A, monophasé, 60 Hz, 900 watts

**CSB2 :** 120 volts CA, 7,5 A, monophasé, 60 Hz, 900 watts

**BTX :** 120 volts CA, 7 A, monophasé, 60 Hz, 850 watts

**CSB3T :** 120 volts CA, 7 A, monophasé, 60 Hz, 850 watts

Non conçu pour les endroits à haute altitude au-dessus de 1219 mètres (4000 pieds). Des unités de haute altitude sont disponibles. Voir [BUNN.COM](http://BUNN.COM) pour plus de détails.

# TABLE DES MATIÈRES

|  |    |
|--|----|
| POUR COMMENCER .....                   | 45 |
| CARACTÉRISTIQUES DE LA CAFETIÈRE ..... | 46 |
| SÉCURITÉ .....                         | 47 |
| CONFIGURATION INITIALE.....            | 48 |
| COMMENT INFUSER .....                  | 50 |
| ENTRETIEN ET NETTOYAGE.....            | 51 |
| DÉPANNAGE .....                        | 55 |
| GARANTIE.....                          | 58 |
| <hr/>                                  |    |
| <u>Inglés</u> .....                    | 2  |
| <u>Español</u> .....                   | 21 |

# DÉMARRER

Enregistrer le code du modèle et de la date avant de l'utiliser. Le code du modèle et de la date se trouve sur le dessous de votre cafetière.

MODÈLE : \_\_\_\_\_  
GRX, BX, SBS, CSB1, CSB2, BTX ou CSB3T

CODE DE LA DATE : \_\_\_\_\_

**Enregistrez votre produit :**

<https://retail.bunn.com/support/product-registration>

**Des questions?**

Allez à :

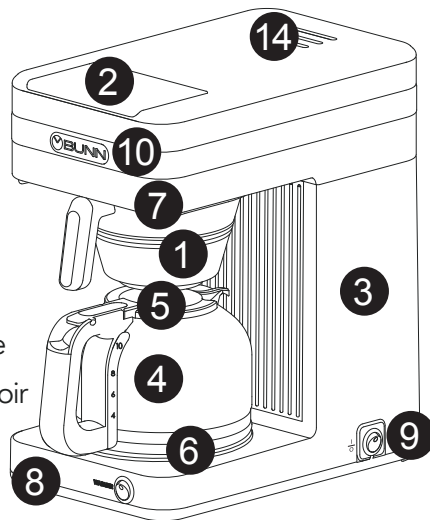
<https://retail.bunn.com/support/support-request>  
ou appelez le service à la clientèle au 1-800-352-2866 (États-Unis) ou au 1-800-263-2256 (Canada).

Veillez avoir votre code du modèle et de la date à portée de main lorsque vous appelez le service après-vente.

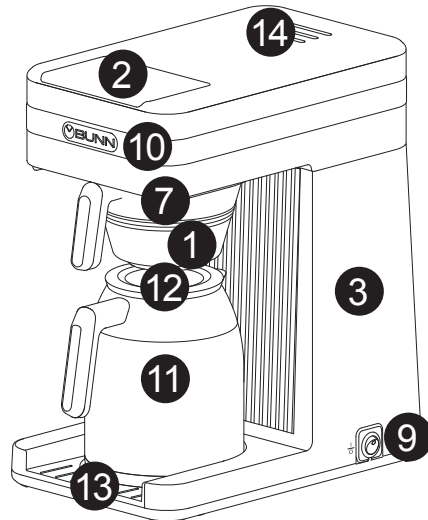
# CARACTÉRISTIQUES DE LA CAFETIÈRE

## CARACTÉRISTIQUES

- 1 Entonnoir d'infusion
- 2 Couvercle
- 3 Réservoir d'eau chaude interne
- 4 Carafe en verre anti-goutte
- 5 Couvercle de carafe
- 6 Plaque chauffante
- 7 Tête de pulvérisation
- 8 Interrupteur de plaque chauffante
- 9 Interrupteur d'alimentation du réservoir
- 10 Bol à verser
- 11 Carafe thermique
- 12 Couvercle de carafe thermique
- 13 Base
- 14 Couvercle supérieur



Avec carafe en verre



Avec carafe thermique

Modèles montrés à titre de référence. Votre cafetière peut être différente.

# SÉCURITÉ

## IMPORTANT

Suivez les précautions de sécurité de base lors de l'utilisation d'appareils électriques afin de réduire les risques d'incendie, de choc électrique et de blessures corporelles.

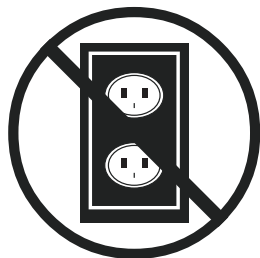
- LISEZ TOUTES LES INSTRUCTIONS DE CE MANUEL.
- Faites preuve de prudence. Cette cafetière produit des liquides chauds: les liquides chauds peuvent vous brûler
- Placez et utilisez la cafetière sur une surface plane.
- Ne touchez pas les surfaces chaudes. Utilisez les poignées.
- Ne renversez pas la cafetière.
- Pour vous protéger contre les chocs électriques, ne placez pas le cordon, les fiches ou la cafetière dans l'eau ou d'autres liquides.
- Une surveillance accrue est nécessaire lorsque la cafetière est utilisée autour des enfants.
- Le réservoir d'eau chaude interne contient de l'eau chaude. Avant de retirer ou de remplacer des pièces, appuyez sur la touche d'arrêt, débranchez la cafetière et laissez-la refroidir (jusqu'à 2 heures).
- N'utilisez pas la cafetière si le cordon d'alimentation ou la fiche est endommagé, ou si elle présente tout autre défaut de fonctionnement ou dommage. Retournez l'appareil à un centre de service autorisé pour examen, réparation ou ajustement.

- L'utilisation d'un accessoire qui n'a pas été évalué pour cette cafetière peut causer des blessures.
- N'utilisez la cafetière qu'à l'intérieur.
- Ne laissez pas le cordon pendre sur le bord de la table ou du comptoir.
- Ne placez pas la cafetière dans ou près d'un brûleur électrique ou à gaz chaud, dans un four chauffé ou dans tout autre endroit chauffé.
- N'utilisez pas de carafe sur une cuisinière ou dans un four à micro-ondes.
- N'utilisez pas la cafetière à d'autres fins que celles auxquelles elle est destinée.
- Ne retirez pas l'entonnoir ou la carafe pendant l'infusion.
- Ne placez pas une carafe chaude sur une surface froide.
- N'utilisez pas une carafe fêlée ou une carafe dont la poignée est lâche ou affaiblie.
- Ne versez pas de liquide dans le réservoir d'eau chaude interne autre que de l'eau ou du vinaigre pour le nettoyage, comme spécifié dans ce manuel.
- Ne nettoyez pas la carafe avec des nettoyeurs, des tampons de laine d'acier ou d'autres matériaux abrasifs
- Lorsque la cafetière n'est pas utilisée, maintenir le couvercle en position fermée.
- Pour débrancher l'appareil, mettez la commande en position OFF, puis débranchez-la de la prise murale.

**POUR USAGE DOMESTIQUE SEULEMENT**

**CONSERVEZ CES INSTRUCTIONS**

## CONFIGURATION INITIALE



**NE BRANCHEZ PAS LA CAFETIÈRE AVANT L'ÉTAPE 5,  
SINON VOUS RISQUEZ DE L'ENDOMMAGER DE FAÇON  
PERMANENTE.**

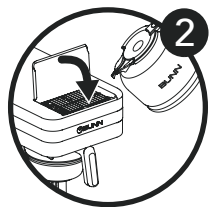
Suivez les étapes de la page suivante pour une configuration correcte.



# CONFIGURATION INITIALE

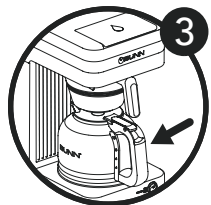


Glissez l'entonnoir d'infusion vide dans les rails de l'entonnoir.



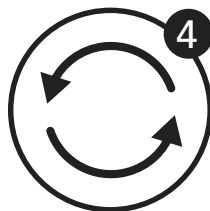
Remplissez une carafe d'eau.  
Versez l'eau dans la cafetière.

**NOTE:** Gardez le couvercle ouvert.

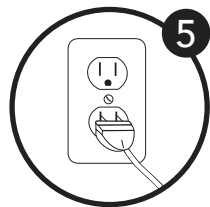


Placez la carafe sous l'entonnoir.  
Fermez le couvercle.

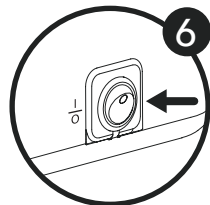
Attendez 4 minutes pendant que le réservoir interne se remplit partiellement.



Répétez les étapes 2 et 3 jusqu'à ce que l'eau s'écoule de l'entonnoir.



Branchez la cafetière.



Appuyer sur l'interrupteur d'alimentation situé sur le côté.  
(I = ALLUMÉ, O = ÉTEINT)

Attendez 15 minutes pour que l'eau dans le réservoir chauffe.

VOUS AVEZ DES QUESTIONS?

<https://retail.bunn.com/support/products/speed-brew>

PRÊT À INFUSER (PAGE SUIVANTE)

# COMMENT INFUSER

- 1 Placez un filtre à café **BUNN**® dans l'entonnoir d'infusion
- 2 Versez le café moulu dans le filtre
- 3 Secouez doucement l'entonnoir pour niveler le café moulu
- 4 Glissez l'entonnoir dans les rails de l'entonnoir
- 5 Remplissez la carafe d'eau : *20 onces pour 4 tasses, 50 onces pour 10 tasses.*
- 6 Ouvrez le couvercle et versez de l'eau dans la cafetière
- 7 Positionnez la carafe sur la plaque chauffante (ou sur la base pour les modèles thermiques\*)
- 8 Fermez le couvercle\*\*
- 9 Réglez l'interrupteur de chauffage sur ON pour une cafetière à carafe en verre
- 10 Attendez 4 minutes que l'égouttage soit terminé

**\*NOTE:** Votre carafe thermique maintient le café chaud pendant environ 2 heures. Pour de meilleurs résultats, préchauffez la carafe en la remplissant d'eau chaude, laissez reposer pendant 30 secondes, puis videz-la avant de commencer à infuser.

**\*\*NOTE:** L'ouverture du couvercle pendant l'infusion empêchera l'eau de s'écouler dans l'entonnoir. Le café cessera de s'écouler de l'entonnoir lorsque l'égouttement est terminé.

## GUIDE D'INFUSION

| EAU    |       | CAFÉ           |
|--------|-------|----------------|
| Tasses | Onces | Cuillers à thé |
| 4      | 20    | 4-5            |
| 6      | 30    | 6-7            |
| 8      | 40    | 8-9            |
| 10     | 50    | 10-11          |

# NETTOYAGE DE BASE

**POUR LES MODÈLES À INFUSION RAPIDE:** (à l'exclusion des modèles thermiques)

- Lavez l'entonnoir et la carafe en verre après chaque utilisation.
- Les deux sont lavables au lave-vaisselle.

**Important:** Séparez le couvercle de la carafe lorsque vous les lavez au lave-vaisselle, et utilisez la tablette supérieure uniquement pour le verre et le couvercle. Si vous lavez à la main, utilisez un savon à vaisselle doux et non abrasif.

- Essuyez l'extérieur de la cafetière de temps en temps, y compris la zone au-dessus de l'entonnoir.

**NOTE:** Après l'essuyage, assurez-vous que l'interrupteur du réchauffeur est en position OFF.

**POUR LES MODÈLES THERMIQUES:**

**Important:** Ne mettez pas l'unité thermique au lave-vaisselle. N'utilisez pas de produit abrasif pour nettoyer la carafe, car cela rayerait l'acier inoxydable. De temps en temps, enlevez la valve de passage du couvercle de la carafe thermique et nettoyez-la avec un détergent doux et non abrasif. Pour retirer la valve, soulevez sur le bord et tirez vers le haut. Veillez à nettoyer le passage où se trouve la vanne (la vanne n'est pas disponible sur tous les modèles).

**NOTE:** La vanne d'infusion n'est pas utilisée sur la carafe CSB3T.

- Pour enlever les taches de café à l'intérieur de la carafe thermique, placez un filtre en papier dans l'entonnoir et versez 2 cuillères à café de détergent en poudre pour lave-vaisselle dans l'entonnoir.
- Versez une carafe d'eau dans la cafetière.
- Placez la carafe sous l'entonnoir et fermez le couvercle.
- Lorsque le cycle d'infusion s'arrête, retirez l'entonnoir et jetez le filtre.
- Rincez l'entonnoir.
- Laissez reposer la carafe pendant environ 15 minutes.
- Utilisez une brosse à poils doux pour nettoyer l'intérieur et le bord extérieur de la carafe.
- Frottez la carafe, le bec et le couvercle de versement avec un chiffon doux, de l'eau tiède et un détergent doux.
- Une fois terminé, versez la solution dans la carafe.
- Rincez la carafe et le couvercle.

# NETTOYAGE DE LA TÊTE DE PULVÉRISATION

Le nettoyage du tube de la tête de pulvérisation permet d'éliminer les dépôts formés par la teneur naturelle en minéraux de l'eau. Plus il y a de minéraux dans l'eau, plus vous devez nettoyer.

Une bonne règle de base est de nettoyer votre pulvérisateur tous les 3 mois. Si vous avez une eau très dure, deux fois par mois peut être nécessaire.

**Vous aurez besoin:** d'un cure-dent, de savon à vaisselle et d'un chiffon doux.

- Appuyez sur l'interrupteur d'alimentation du réservoir en position OFF, débranchez la cafetière et laissez-la refroidir pendant au moins 30 minutes.

REMARQUE : L'eau dans le réservoir peut être encore chaude. Ne pas donner de pourboire la machine.

- Retirez l'entonnoir et dévissez la tête de pulvérisation en la dévissant du bout des doigts.
- Vérifiez les trous de la tête de pulvérisation et nettoyez tous les dépôts avec le cure-dent.
- Nettoyez la tête de pulvérisation avec un chiffon et du savon à vaisselle. Rincez à l'eau.

- Réinstallez la tête de pulvérisation.
- Remettez l'entonnoir d'infusion en place.
- Branchez la cafetière. Appuyez sur l'interrupteur d'alimentation du réservoir en position ON.
- Attendez 15 minutes que l'eau dans le réservoir atteigne la température d'infusion.
- Votre machine est à nouveau prête pour l'infusion.

REMARQUE : Le nettoyage du tube de la tête de pulvérisation avec un outil de détartrage élimine les dépôts formés par la teneur en minéraux naturels de votre eau. Plus votre eau contient de minéraux, plus vous devez la nettoyer.

Une bonne règle de base consiste à nettoyer la machine, le tube de la tête de pulvérisation et la tête de pulvérisation tous les 3 mois. Si vous avez de l'eau très dure, deux fois par mois peut être nécessaire si le temps d'infusion ralentit. Consultez la section Dépannage si le temps d'infusion est trop lent.

REMARQUE : Pour une tête de pulvérisation ou un outil de détartrage de remplacement, appelez le service à la clientèle au 1-800-352-2866 (États-Unis) ou au 1-800-263-2256 (Canada).

# NETTOYAGE de routine

Nettoyez régulièrement votre cafetière tous les 3 mois. Selon la teneur en minéraux de l'eau, il se peut que vous ayez besoin d'une plus grande fréquence.

Le nettoyage de routine de votre cafetière élimine les dépôts minéraux dans le réservoir d'eau chaude interne et prolonge la durée de vie de votre cafetière.

**Vous en aurez besoin:** d'une pinte (32 onces) de vinaigre blanc, d'un cure-dent et de savon à vaisselle.

- Glissez l'entonnoir dans les rails de l'entonnoir.
- Placez la carafe sous l'entonnoir.
- Ouvrez le couvercle et versez le vinaigre dans la cafetière.
- Fermez le couvercle. Videz la carafe lorsque le liquide cesse de couler.
- Laissez l'interrupteur en position ON et laissez le vinaigre reposer dans la cafetière pendant au moins 2 heures.
- Après au moins 2 heures, mettez l'interrupteur du réservoir en position OFF et débranchez la cafetière. Laissez refroidir pendant au moins 30 minutes.

- Retirez l'entonnoir et dévissez la tête de pulvérisation. Vérifiez les trous de la tête de pulvérisation et nettoyez tous les dépôts avec le cure-dent.
  - Nettoyez la tête de pulvérisation avec un chiffon et du savon à vaisselle.
  - Rincez à l'eau.
  - Réinsérez the l'entonnoir.
  - Versez une carafe d'eau fraîche dans la cafetière. Placez la carafe sous l'entonnoir et réinsérez-le.
  - Fermez le couvercle (l'eau commencera à rincer le vinaigre du réservoir d'eau chaude interne).
  - Videz la carafe lorsque le liquide cesse de couler.
  - Répétez le processus de cycle de l'eau froide fraîche 3 fois ou plus, ou jusqu'à ce que vous ne sentiez plus de vinaigre.
  - Retirez l'entonnoir et remettez la tête de pulvérisation en place.
  - Remplacez l'entonnoir et placez la carafe sous l'entonnoir. Branchez la cafetière. Mettez l'interrupteur du réservoir sur la position ON.
  - Laissez l'eau dans le réservoir atteindre la température de brassage (ce qui devrait prendre environ 15 minutes). Votre cafetière est à nouveau prête à infuser.
- Des questions? Communiquez avec le service à la clientèle au: 1-800-352-2866 (États-Unis) ou 1-800-263-2256 (Canada).

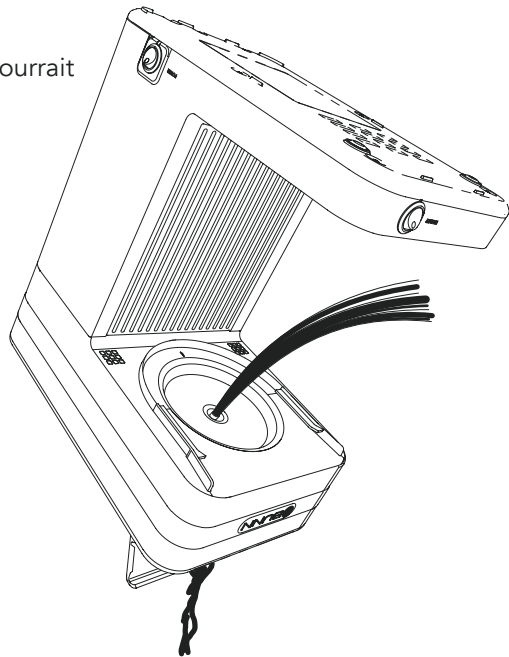
# VIDANGE DE LA CAFETIÈRE

## L'EAU DANS LA CAFETIÈRE DOIT ÊTRE ÉVACUÉE LORSQUE LA CAFETIÈRE:

- Est transportée
- Est expédiée
- Est entreposée dans un emplacement non chauffé où la température pourrait descendre sous zéro
- Ne sera pas utilisée pendant une longue période de temps

### POUR VIDANGER:

- 1 Basculez l'interrupteur du réservoir en position OFF, débranchez la cafetière et laissez-la refroidir pendant au moins 2 heures.
- 2 Retirez l'entonnoir et la tête de pulvérisation en desserrant du bout des doigts.
- 3 Saisissez l'arrière de la cafetière et retournez-la au-dessus d'un évier.
- 4 Continuez à faire basculer la cafetière jusqu'à ce que le débit du tube et du couvercle de la tête de pulvérisation s'arrête.
- 5 Fixez la tête de pulvérisation et insérez l'entonnoir dans la cafetière.
- 6 Remettez la cafetière en position verticale.



# DÉPANNAGE

|   |  |
|---|--|
| <b>LE CAFÉ EST FROID</b>                              | <ul style="list-style-type: none"><li>• Vérifiez si la cafetière est branchée et si l'interrupteur d'alimentation du réservoir est sur ON. Si la cafetière n'était pas allumée, attendre 15 minutes que le réservoir atteigne sa température de fonctionnement.</li><li>• Il se peut que le réservoir n'ait pas atteint sa température de fonctionnement avant l'infusion. Le réservoir atteint sa température de fonctionnement 15 minutes après la mise en marche de la cafetière ou après un cycle d'infusion.</li></ul>  |
| <b>LA CAFETIÈRE FAIT UN BRUIT DE GRONDEMENT</b>       | <ul style="list-style-type: none"><li>• C'est normal si le bruit se produit après une infusion ou de façon intermittente tout au long de la journée. Cela se produit lorsque l'eau dans le réservoir se réchauffe.</li><li>• Ce bruit peut indiquer qu'il y a une accumulation de calcaire sur le chauffe-eau. Nettoyez l'unité en respectant les directives de la section NETTOYAGE DE ROUTINE du manuel.</li></ul>   |
| <b>L'EAU S'ÉCOULE AVANT LA FERMETURE DU COUVERCLE</b> | <ul style="list-style-type: none"><li>• Assurez-vous que le couvercle est complètement ouvert pour activer le bouchon en caoutchouc dans le bol à verser.</li><li>• La cafetière n'est pas conçue pour contenir de l'eau dans le bol à verser pendant la nuit.</li><li>• Retirez le couvercle supérieur pour vous assurer que le bouchon en caoutchouc est en place et que la zone est propre.</li></ul>   |
| <b>L'ENTONNOIR DÉBORDE</b>                            | <ul style="list-style-type: none"><li>• Utilisez-vous des filtres BUNN? D'autres filtres peuvent être de taille ou de porosité inadéquate. Vous pouvez commander d'autres filtres BUNN sur <a href="http://bunn.com">bunn.com</a>.</li><li>• Vérifiez si la tête de pulvérisation est en place. Si la tête de pulvérisation n'y est pas, l'entonnoir débordera.</li><li>• Si vous infusez du café décaféiné, utilisez du café moulu fin, ou si vous avez de l'eau douce, vous pourriez avoir besoin d'utiliser une tête de pulvérisation spéciale avec réducteur de débit. On peut en obtenir un en remplissant un formulaire en ligne à <a href="http://retail.bunn.com/support/support-request">retail.bunn.com/support/support-request</a> ou en composant le 1-800-352-2866 (États-Unis) ou 1-800-263-2256 (Canada).</li></ul> |

# DÉPANNAGE

|   |  |
|---|--|
| <b>LE CAFÉ N'EST QUE PARTIELLEMENT INFUSÉ</b> | <ul style="list-style-type: none"><li>• Si la cafetière a été laissée allumée pendant une période prolongée sans être utilisée, il peut être nécessaire de remplir le réservoir d'eau. Maintenant que le réservoir a été rempli, l'infusion devrait fournir le même volume que d'habitude.</li></ul> <p><b>NOTE:</b> Il y aura toujours un peu moins de volume de café infusé que l'eau versée dans la cafetière en raison de l'eau absorbée par le marc de café.</p>  |
| <b>LE TEMPS D'INFUSION EST TROP LENT</b>      | <ul style="list-style-type: none"><li>• Les trous de la tête de pulvérisation peuvent être obstrués. Nettoyez la tête de pulvérisation comme indiqué dans la section NETTOYAGE DE LA TÊTE DE PULVÉRISATION du manuel.</li><li>• Le réservoir et le tube de la tête de pulvérisation peuvent avoir une accumulation de résidus. Nettoyez l'unité en respectant les directives de la section NETTOYAGE DE ROUTINE du manuel.</li><li>• Si les solutions précédentes ne fonctionnent pas, vous aurez peut-être besoin d'un outil de détartrage pour éliminer l'excès de calcaire accumulé sur le tube de la tête de pulvérisation. Un outil de détartrage peut être obtenu en remplissant un formulaire en ligne sur <a href="https://retail.bunn.com/support/support-request">retail.bunn.com/support/support-request</a> ou en appelant le 1-800-352-2866 (États-Unis) ou le 1-800-263-2256 (Canada).</li></ul> |
| <b>LA CAFETIÈRE FUIT</b>                      | <ul style="list-style-type: none"><li>• Composez le 1-800-352-2866 (États-Unis), le 1-800-263-2256 (Canada) ou visitez <a href="https://retail.bunn.com/support/support-request">https://retail.bunn.com/support/support-request</a>.</li></ul> <p><b>NE JAMAIS DÉMONTÉ LA CAFETIÈRE. IL N'Y A PAS DE PIÈCES RÉPARABLES PAR L'UTILISATEUR À L'INTÉRIEUR.</b></p>   |



|                                 |  |
|---------------------------------|--|
| <b>LE CAFÉ<br/>NE COULE PAS</b> | <ul style="list-style-type: none"><li>• Au moins 20 onces d'eau ont-elles été versées dans la cafetière? Entre 20 et 50 onces d'eau doivent être versées pour une bonne infusion. (Voir la section COMMENT INFUSER de ce manuel).</li><li>• Vérifiez que le couvercle de versement est fermé. L'eau n'est pas évacuée du réservoir tant que le couvercle n'est pas fermé.</li><li>• Si la cafetière a été laissée allumée pendant une période prolongée sans être utilisée, le niveau d'eau dans le réservoir peut devoir être rehaussé. Appuyez sur l'interrupteur d'alimentation, débranchez la cafetière et procédez à l'installation jusqu'à ce que l'eau commence à couler comme indiqué dans la section Configuration initiale du manuel.</li><li>• La cafetière a-t-elle été entreposée? Passez en revue la configuration initiale comme indiqué dans la section CONFIGURATION INITIALE de ce manuel.</li><li>• S'il y a encore de l'eau dans le bol de versement, il se peut que la tête de pulvérisation soit bouchée. Nettoyez la tête de pulvérisation comme indiqué dans la section NETTOYAGE DE LA TÊTE DE PULVÉRISATION du manuel.</li><li>• Si les solutions précédentes ne fonctionnent pas, vous devrez peut-être utiliser un outil de détartrage pour éliminer l'excès de calcaire. On peut en obtenir un en remplissant un formulaire en ligne à <a href="https://retail.bunn.com/support/support-request">retail.bunn.com/support/support-request</a> ou en composant le 1-800-352-2866 (États-Unis) ou 1-800-263-2256 (Canada).</li></ul> |
| <b>BESOIN<br/>D'AIDE?</b>       | <ul style="list-style-type: none"><li>• Visitez le <a href="https://retail.bunn.com/support/support-request">https://retail.bunn.com/support/support-request</a></li><li>• Composez le 1-800-352-2866 (États-Unis) ou le 1-800-263-2256 (Canada).</li></ul>  |

# GARANTIE

Bunn-O-Matic Corporation (« **BUNN** ») garantit que la cafetière Speed Brew **BUNN**®, à l'exception de la carafe de verre, est exempte de tout défaut de matériaux et de fabrication existant au moment de la fabrication et apparaissant dans la dernière des périodes suivantes:

- a) Trois (3) ans à compter de la date d'achat d'origine d'une NOUVELLE cafetière avec remise d'un reçu valide attestant cet achat ou, en l'absence d'un tel reçu, de la date de fabrication; ou.
- b) Un (1) an à compter de la date à laquelle une cafetière de REMPLACEMENT est reçue par le client, dans le cas où BUNN a déterminé qu'une cafetière retournée pendant la période de garantie de la NOUVELLE cafetière nécessitait un remplacement.
- c) Un (1) an à compter de la date d'achat originale pour les carafes isothermes incluses avec une cafetière NEUVE avec remise d'un reçu valide prouvant ledit achat ou, à défaut, à compter de la date de fabrication. Les carafes en verre sont exclus.

Si un tel défaut apparaît pendant la période de garantie, nous (à notre seule discrétion) remplacer la cafetière défectueuse, à condition que la cafetière soit retournée aux frais du client. Reportez-vous à la page 45 pour obtenir des informations sur le service client.

La garantie ne couvre pas les réclamations résultant d'une mauvaise utilisation, du non-respect des instructions d'installation, de configuration et d'utilisation, de l'utilisation avec de l'eau à forte teneur en minéraux, de la négligence, de l'utilisation d'accessoires non autorisés, de l'utilisation commerciale, de l'utilisation d'un courant ou d'une tension autre que ceux spécifiés sur la cafetière, un manque d'entretien ou de nettoyage, ou un service non autorisé pendant la période de garantie dans des conditions autrement couvertes par la garantie.

CETTE GARANTIE SERA EXCLUSIVE ET REMPLACERA TOUTE AUTRE GARANTIE, ÉCRITE, ORALE OU IMPLICITE, Y COMPRIS, MAIS SANS S'Y LIMITER, TOUTE GARANTIE IMPLICITE DE QUALITÉ MARCHANDE OU D'ADAPTATION À UN USAGE PARTICULIER. En tout état de cause, la durée des garanties

# GARANTIE

prévues par la loi, y compris, mais sans s'y limiter, les garanties implicites de qualité marchande ou d'adaptation à un usage particulier, est expressément limitée à la durée de la présente garantie limitée. Certains états n'autorisent pas les limitations de temps sur les garanties implicites, de sorte que la limitation ci-dessus peut ne pas s'appliquer à vous.

LE RECOURS EXCLUSIF DU CLIENT EN CAS DE VIOLATION DE LA PRÉSENTE GARANTIE OU DE TOUTE GARANTIE IMPLICITE, OU DE TOUTE AUTRE OBLIGATION DÉCOULANT DE L'APPLICATION DE LA LOI OU D'UNE AUTRE OBLIGATION, SERA LIMITÉ, COMME IL EST PRÉCISÉ AUX PRÉSENTES, À LA RÉPARATION OU AU REMPLACEMENT, À NOTRE SEULE DISCRÉTION. EN TOUT ÉTAT DE CAUSE, LA RESPONSABILITÉ POUR DOMMAGES SPÉCIAUX, ACCESSOIRES ET CONSÉCUTIFS EST EXPRESSÉMENT EXCLUE. Certains états n'autorisent pas les limitations de temps sur les garanties implicites, de sorte que la limitation ci-dessus peut ne pas s'appliquer à vous.

Cette garantie vous donne des droits légaux spécifiques; vous pouvez avoir d'autres droits, qui varient d'un état à l'autre.

## MARQUES

**BUNN** Pour-O-O-Matic, **BUNN**, **BUNN** avec la ligne rouge stylisée, The Horizontal Red Line, Bunn-O-Matic, Bunn-O-Matic, Velocity Brew, My Café, Speed Brew, Phase Brew, trifecta, Air Infusion, Quality Beverage Equipment Worldwide, The Mark of Quality in Beverage Equipment Worldwide, A Partner You Can Count On, Brew Better Not Bitter, Brew better, Brew better, not bitter, Coffee at its Best, Nothing Brews Like a **BUNN**, Respect Earth, Respect Earth, Respect Earth avec la feuille stylisée et le motif de cerise café, sont des marques de commerce ou des marques déposées de Bunn-O-Matic Corporation.

SAVOUREZ

