



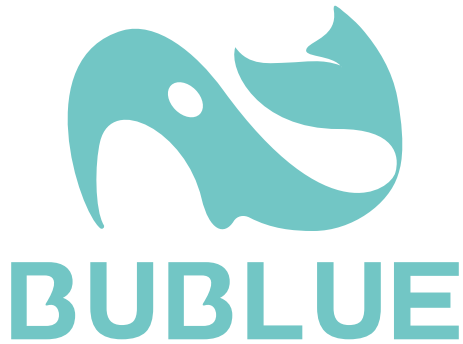
INTRODUCTION MANUAL

OL12D-D031A

Please read this manual before operating and save it for future reference. You are covered with 2-year free warranty offered by BUBLUE that is automatically valid from the date of purchase. To extend the warranty or express any questions or concerns, please email BUBLUE at support@bubblue.us

CONTENT

BEFORE YOU BEGIN	1
FOR YOUR SAFETY	2
PRODUCT OVERVIEW	4
INSTALLATION	5
OPERATION	6
MAINTENANCE	10
TROUBLESHOOTING	11
DECOMMISSIONING	12



BUBLUE's STORY

Our Origin

The outbreak of COVID-19 in early 2020 confined us to our own houses, enveloping us in an air of suffocating monotony. Back then, Charlie was a student at the University of Michigan—Ann Arbor studying remotely at home due to the pandemic. During this period of solitude, Charlie grew determined that everyone deserves a yogic lifestyle, even under the bleak reality.

To convey his message, Charlie chose air treatment products in households as the medium, blending in a touch of soothing aqua into the appliances' designs. Meanwhile, Charlie drew inspiration from luxury clothing, therefore, elegance and nobility had become his antithesis to home appliances' predominating monochromatic color schemes. With the brand concept "Sprinkle color in all yourself", Charlie hopes to invigorate everyone not to be bothered by the bleak moments, and instead to embrace the glorious world.

Our Style

Guided by his unique perspective, Charlie challenges home appliances' predominating monochromatic color schemes, adopting aqua and various color tones in his product design instead. With his products, Charlie hopes to "Sprinkle color in all yourself", invigorating every individual to embrace the glorious world. Charlie's BUBLUE is unique for achieving a balance between appearing gorgeous and being practical. BUBLUE represents a liberation: the brand transforms a field that is previously monochromatic into a stage for diversified aesthetics, bringing about freedom of choice for our generation. Essentially, youths' pursuit of beauty and elegance is central to BUBLUE's philosophy.

Our Logo

Orcas are central to BUBLUE's product designs: they epitomize wisdom and symbolize the perpetual pursuit of freedom, romance, bravery, and uniqueness. Additionally, the orca's pulsating tail resembles the petals of a lotus, which are delicately pure and elegantly modest. Both the design elements of orca and lotus align with BUBLUE's ideal—to lead a free, gentle, and holy life.




BEFORE YOU BEGIN

Please read the operating instructions carefully before using your dehumidifier for the first time.

1.1 PRODUCT DESCRIPTION

The dehumidifier is used to remove excessive moisture from the air. The resulting reduction in relative humidity protects buildings and their interiors from the adverse effects of excess humidity.

1.2 SYMBOLS FROM THE UNIT AND USER MANUAL

	Read the USER MANUAL carefully before operation.
	Further information is available in the USER MANUAL, SERVICE MANUAL
	Service personnel are required to carefully read the USER MANUAL and SERVICE MANUAL before operation.

1.2 THE FOLLOWING SHOULD ALWAYS BE OBSERVED FOR SAFETY

- This appliance is intended to be used by trained users in shops, light industries, and farms, or for residential use by consumers.
- This appliance can be used by children aged 8 or above, people with impaired physical, sensory, or mental capabilities, or people lacking the experience and knowledge if they are given supervision or instruction on the safe use of the appliance and understand the hazards involved. Children shall not play with the appliance. Cleaning and maintenance shall not be implemented by children without supervision.
- The refrigerant loop is sealed. Only a qualified technician should attempt to service.
- Do not discharge the refrigerant into the air.
- Refrigerant could collect in low areas first but can be circulated by the fans.
- If propane gas is present or even suspected, do not allow untrained personnel to attempt to find the cause.
- The propane gas used in the unit has no odor.
- The lack of smell does not indicate a lack of escaped gas.
- If a leak is detected, evacuate all people from the space immediately, ventilate the room and contact the local fire department to inform them that a propane leak has occurred.
- Do not let any people re-enter the room until the qualified service technician has arrived and informs that it is safe to return to the room.
- No open flames, cigarettes, or other possible sources of ignition should be used inside or in the vicinity of the units.
- This appliance's components are designed for propane with non-incentive and non-sparking. Components shall only be replaced with identical repair parts.

FAILURE TO ABIDE BY THIS WARNING COULD RESULT IN AN EXPLOSION, DEATH, INJURY, OR PROPERTY DAMAGE

Your safety is our highest concern!

⚠ Please read this manual carefully and fully understand it before operating your dehumidifier.

2.1 OPERATIONAL PRECAUTIONS

WARNING- to reduce the risk of fire, electric shock, or injury to people or property:

- If the supply cord is damaged, it must be replaced by the manufacturer, its service agent, or similarly qualified persons in order to avoid hazards.
 - The appliance shall be disconnected from its power source during maintenance.
 - Always operate the unit from a power source of equal voltage, frequency, and rating as indicated on the product identification plate.
 - Always use a power outlet that is grounded.
 - Unplug the power cord when cleaning or not using.
 - Do not operate with wet hands. Prevent water from spilling onto the unit.
 - Do not immerse or expose the unit to rain, moisture, or any other liquid.
 - Do not leave the unit running unattended. Do not tilt or turn over the unit.
 - Do not unplug while the unit is operating.
 - Do not unplug by pulling on the power cord.
 - Do not use an extension cord or an adapter plug.
 - Do not put objects on the unit.
 - Do not climb or sit on the unit.
 - Do not insert fingers or other objects into the air outlet.
 - Do not touch the air inlet or the aluminum fins of the unit.
 - Do not operate the unit if it is dropped, damaged, or showing signs of product malfunction.
 - Do not clean the appliance with any chemicals.
 - Ensure the unit is far away from fire, inflammable, or explosive objects.
 - The unit shall be installed in accordance with national wiring regulations.
 - Do not use means to accelerate the defrosting process or to clean, other than those recommended by the manufacturer.
 - The appliance shall be stored in a room without continuously operating sources (for example: open flames, an operating gas appliance, an operating electric heater).
 - The appliance shall be stored so as to prevent mechanical damage from occurring.
 - Do not piece or burn, even after using.
 - Be aware that refrigerants may not have an odor.
 - Pipe-work shall be protected from physical damage and shall not be installed in an unventilated space that's smaller than 43 square feet
 - Compliance with national gas regulations shall be observed.
 - Keep any required ventilation openings clear of obstruction.
 - The appliance shall be stored in a well-ventilated area where the room size corresponds to the dimension specified for operation.
- ⚠** Any person who is involved with working on or breaking into a refrigerant circuit should hold a current valid certificate from an industry-accredited assessment authority, which certifies their competence in handling refrigerants safely in accordance with an industry-recognized assessment specification.
- ⚠** Servicing shall only be performed as recommended by the equipment manufacturer. Maintenance and repair requiring the assistance of other skilled personnel shall be carried out under the supervision of the person competent in the use of flammable refrigerants.

If you don't understand something or need help, please contact the dealer services.

2.2 SAFETY PRECAUTIONS ON SERVICING

Please follow these warnings when servicing a dehumidifier.

2.2.1 Checks to the area

Prior to beginning working on systems containing flammable refrigerants, safety checks are necessarily present to ensure that the risk of ignition is minimized. For repairing the refrigerating system, the following precautions shall be complied with prior to the actual conduction of the work.

2.2.2 Work procedure

Work shall be undertaken under a controlled procedure so as to minimize the risk of a flammable gas or vapor being present while the work is being performed.

2.2.3 General work area

All maintenance staff and people working in the local area shall be instructed on the nature of the work being carried out. Work in confined spaces shall be avoided. The area around the workspace shall be sectioned off. Ensure that the conditions within the area have been made safe by the control of flammable material.

2.2.4 Checking for the presence of refrigerant

The area shall be checked with an appropriate refrigerant detector prior to and during work, to ensure the technician is aware of the potentially flammable atmospheres. Ensure that the leak detection equipment being used is suitable for using with flammable refrigerants, i.e. no sparking, adequately sealed or intrinsically safe.

2.2.5 Presence of fire extinguisher

If any hot work is to be conducted on the refrigeration equipment or any associated parts, appropriate fire extinguishing equipment shall be available at hand. Have a dry powder or CO2 fire extinguisher adjacent to the charging area.

2.2.6 No ignition sources

No person carrying out work in relation to a refrigeration system that involves exposing any pipe work containing flammable refrigerant shall use any sources of ignition in such a manner that it may lead to the risk of fire or explosion. All possible ignition sources, including cigarette smoking, should be kept sufficiently far away from the site of installation, repairing, removing, and disposal, as during which flammable refrigerant can possibly be released to the surrounding space. Prior to the work taking place, the area around the equipment should be examined to make sure that there are no flammable hazards or ignition risks. "No Smoking" signs shall be displayed.

2.2.7 Ventilated area

Ensure that the area is adequately ventilated before breaking into the system or conducting any hot work. Ventilation shall continue while the work is carried out. Ventilation should safely disperse any released refrigerant and preferably expel it externally into the atmosphere.

2.2.8 Checks to the refrigeration equipment

The place where electrical components are being changed should be suitable for this purpose and the correct specification. The manufacturer's maintenance and service guidelines shall be followed at all times. If in doubt, consult the manufacturer's technical department for assistance.

The following checks shall be applied to installations using flammable refrigerants:

- The charge size is in accordance with the room size within which the refrigerant containing parts are installed;
- The ventilation machinery and outlets are operating adequately and are not obstructed;
- If an indirect refrigerating circuit is being used, the secondary circuit shall be checked for the presence of refrigerant;
- Markings to the equipment need to be visible and legible. Markings and signs that are illegible shall be corrected;
- refrigeration pipe or components are installed in a position where they are unlikely to be exposed to any substance which may corrode refrigerant-containing components, unless the components are constructed of materials that are inherently resistant to being corroded or are suitably protected against being corroded.

2.2.9 Checks to electrical devices

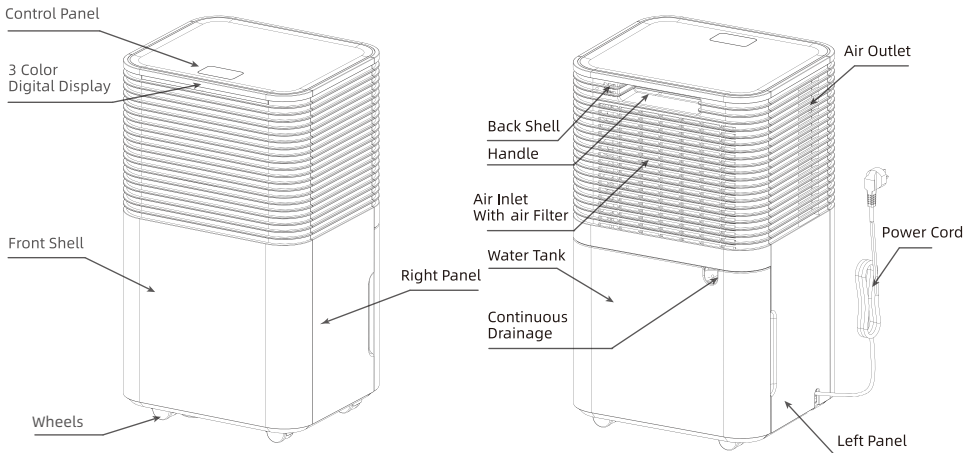
Repair and maintenance of the electrical components shall include initial safety checks and component inspection procedures. If a fault exists that could compromise safety, then no electrical supply shall be connected to the circuit until it can be safely used. If the fault cannot be corrected immediately but it is necessary to continue operation, an effective temporary solution shall be used. This shall be reported to the owner of the equipment so all parties are informed.

Initial safety checks shall include:

- those capacitors are discharged: this shall be done in a safe manner to avoid the possibility of sparking;
- that there are no live electrical components and wiring being exposed while charging, recovering, or purging the system;
- that the device always remains grounded

PRODUCT OVERVIEW

3.1 PRODUCT VIEW



3.2 SPECIFICATIONS

MODEL	OL12-D031A
Dehumidification Capacity	30Pints/D(95°F/90%RH) 25Pints/D(86°F/80%RH) 9Pints/D(65°F/60%RH)
Rated Voltage	115V~60Hz
Noise	≤38dB(A)
Water Tank Capacity	68oz.
Net weight	23lbs
Minimum Room size	300~2000sq ft
Dimension	9.8x8.7x17.5inches
Functioning Temp Range	41°F-95°F

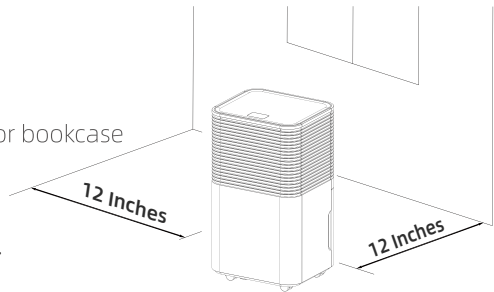
INSTALLATION

4.1 LOCATION

1. Place the unit on a firm, horizontal surface in an area with at least 12 inches of free space around it to allow for proper air circulation.

2. Never install the unit at a place that could be subject to:

- Heat sources such as radiators, heat registers, stoves, and other products that produce heat.
- Possible splashing of oil or water
- Direct sunlight
- Mechanical vibration or shock
- Excessive dust
- Lack of ventilation, such as cabinet or bookcase
- Uneven surface



⚠ WARNING

Install the unit in rooms whose areas exceed 43 ft².

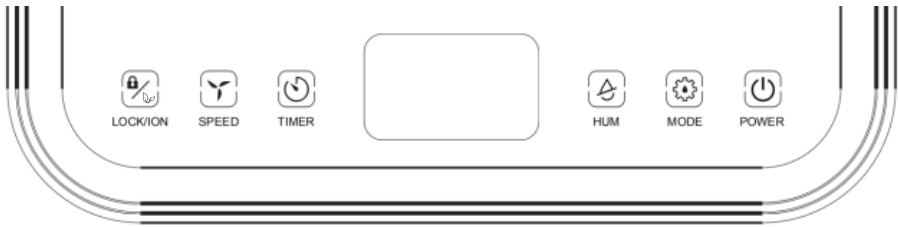
NOTE

The manufacturer may provide other suitable examples or additional information regarding the refrigerant odor.

4.2 OPERATING THE DEVICE SAFELY

- Check the device after unpacking for any damages or scratches on it.
- Operate this unit in an ambient temperature ranging from 41°F to 95°F.
- Do not use the device in outdoor settings, as it is intended for indoor residential applications only.
- Do not operate the device in close proximity to walls, curtains, or other objects that may block inlet and outlet.
- Keep the air inlet and outlet free of obstacles.
- Adjust the wind deflector in the upward direction prior to start up.
- If the device is being tipped more than 45°, allow it to set upright for at least 24 hours before start up.
- Keep doors and windows close for better energy saving.
- Do not operate or store the unit in direct sunlight or rain.
- It is normal for air outlet to feel warm to touch after continuous operation on hot days.
- Empty the water tank before moving the device.
- Make sure the water tank is correctly fitted, otherwise the unit will not operate properly.
- The dehumidifier starts up in the mode selected when the unit was last used.
- The dehumidifier starts to dehumidify if the room's humidity level is 3% higher than the selected humidity level.
- There is a protective 3-minute time delay for the compressor. Wait 3 minutes for the dehumidifier to resume dehumidification.

5.1 CONTROL PANEL



POWER

After switching on the power, all the indicators and the screen will be on for 1 second and then off. After a buzzer, the power indicator will be on and the machine will be in standby mode.

Press this button, the machine will start to run, whose initial humidity will be 50%RH and will be in the default intelligent mode and high wind operation.

Press this button again, the machine will stop running, and the fan will be closed.

MODE

Intelligent mode - continuous mode-sleeping mode cycle, press once to switch the mode from one to another, with the corresponding indicator lighting up.

● **Intelligent mode:** when environmental humidity \geq set humidity +3%, the fan begins working and the compressor begins working after 3 seconds.

When environmental humidity \leq set humidity -3%, the compressor stops working and the fan shuts down after a delay.

Both fan speed and humidity can be adjusted under intelligent mode.

● **Continuous mode:** The machine continues to run, but the humidity level cannot be adjusted.

● **Sleeping mode:** Touch the sleep button, the button lights up and starts the sleep function. After 10 seconds of null operation, all indicators turn dark gradually and the wind speed is automatically switched from high to low. Touch any button to wake up the indicator. Touch sleep button again to exit the sleeping mode

In the sleeping mode, if there is a fault or the water is full, the buzzer will not sound and the fault code will be displayed dimly.

HUM

In intelligent mode or sleeping mode, you can touch this button to adjust the set humidity: every time you press the button, the set humidity increases by 5%, according to the cycle of 30%-80%.

Long press of this button shows the current room temperature that is displayed on the control panel for 5 seconds, after which the screen automatically returns to display the current humidity. If pressing this button and holding the press without letting it go, the room temperature will remain to be shown on the display.

TIMER

Press this button to start the timer function. Press this button to set the time. The interval is 1 hour. Each time you press this button, the value increases by 1 hour, with its current number displayed on the screen. Set the time to "00" to exit the timer function, and the indicator light will turn off accordingly.

After the time is set, the timer LED is on during the timing period, and turns off automatically after the period is over.

In the non-timing state: press the "timing" button to enter the time-setting state, where the digits flash to display the setting time; during the flashing period, press the adjustment button (or up and down buttons) to adjust the setting time (0 ~ 24h).

In the timing state: press the "timing" button to display the remaining set time, and press the "timing" button during the digital flashing period to cancel the timing.

In the running state: set the time to turn off the machine.

In the standby state: set the time to turn on the machine.

SPEED

The wind speed can only be adjusted in the intelligent mode. Press this button to switch between the high and low wind speed shown by the corresponding wind speed indicator.

LOCK/ION

Press this button to turn on or off the ionizer purification function.

Long press of this button turns on the child lock function and the corresponding child lock indicator lights up, and all buttons are locked and cannot be operated. Another long press of this button turns off this function and the corresponding indicator, and all buttons resume their functionality.

The child lock function is automatically turned off once the device is shut down or the power is off.

3 Color Digital Display:

Ambient Humidity < 45% , The light shows Blue

45 ≤ Ambient Humidity ≤ 65% , The light shows Green

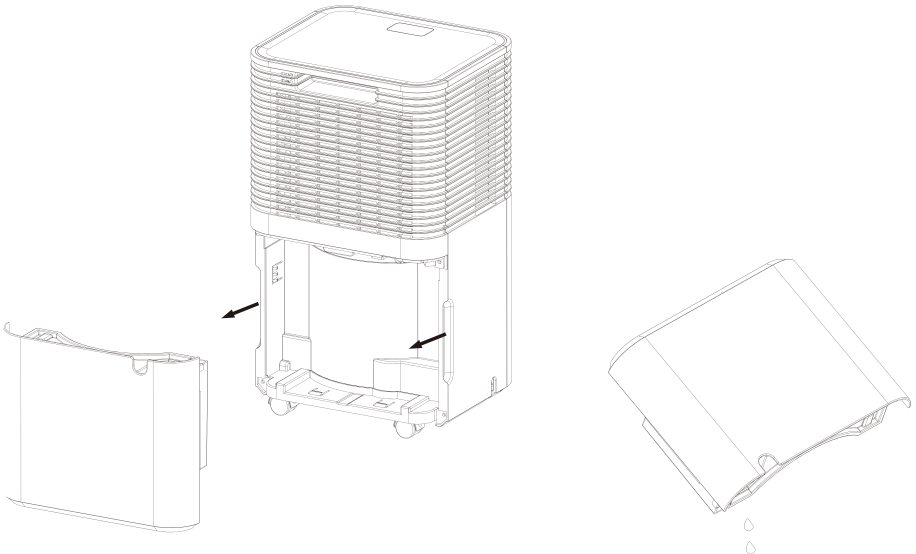
Ambient Humidity > 65% , The light shows Red

If the LED displays E0、E2、CL、CH、LO、HI, the light will show red

5.2 DRAINAGE:

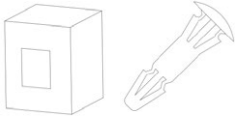
EMPTYING THE WATER TANK

- When the tank is full, The unit will make a buzzing sound, and the "🚰" light will turn on,
- Press the POWER button to turn off the device.
- Pull on the water tank to simply slide it out of the body of the dehumidifier.
- Dispose the water by pouring it into an area with a drain or outside.
- Clean the inside of the tank as well as the outside.
- Place the empty tank back into the device.
- Press the POWER button to resume operation.
- If the "🚰" light does not extinguish, check if the water tank is correctly put in place.



Warning

1. Do not discard water tank magnets and plastic rivets. Otherwise, the machine will be **unable to automatically stop** when the water tank is full, and the condensate will overflow and damage the floor of the room.



2. Please clean the condensate in the water tank before resetting the work mode of the machine.

3. If the water tank is dirty, rinse it with clean water. Avoid using detergents, steel balls, chemical dust removers, diesel oil, benzene, diluents, or other solvents. Otherwise, the water tank will be damaged and leak.

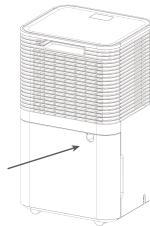
4. Put the empty tank back into the device after cleaning. Otherwise, the “Water Full” indicator may remain red and the machine cannot restart.

CONTINUOUS DRAINING

For continuous operation or unattended dehumidification, please connect the attached drain hose to the unit. Condensate can automatically flow into a bucket or drain by gravity.

1. Straighten the drainage pipe

2. Insert one end of the drain hose into the cistern hole and connect the other end to bathroom, outdoor space, bucket-like container, or the prescribed area for drainage.



⚠ Warning

1. Please do not block the drain or drain pipe, otherwise the condensate will flow into the water tank.

2. Please do not bend the drain pipe. The height of the drain pipe should be lower than the outlet.

3. The drain pipe shall be securely connected to the outlet

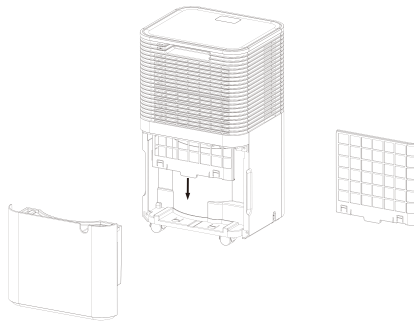
Note: before cleaning and implementing maintenance of the machine, make sure to turn off the machine and pull out the power plug to prevent electric shock.

6.1 CLEANING THE AIR FILTER (every two weeks)

Dust collected on the filter restricts airflow, which reduces the efficiency of the dehumidification system and can cause damage to the device if the dust blocks the filter.

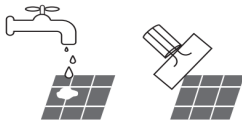
The air filter is removable and requires regular cleaning. Do not operate the device without an air filter, as which might cause the evaporator to be contaminated.

1. Take the water tank out of the device's body, and then pull out the filter from the bottom of the device's rear shell;

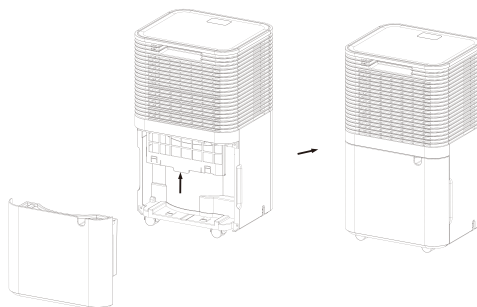


2. Use a vacuum cleaner to gently absorb the dust on the surface.

If the filter is very dirty, wash it with water and a soft detergent and dry it thoroughly afterwards.



3. Put the filter back.



TROUBLE SHOOTING

7.1 FUNCTIONING TEMP.

41°F ≤ Ambient Temp. ≤ 95°F

When the ambient temp is lower or higher than the functioning temp, the dehumidifier stops working.

When 41°F ≤ Ambient temp. ≤ 61°F, the compressor automatically defrosts at intervals; during defrosting, the compressor stops and the fan keeps running.

7.2 BEFORE CALLING FOR SERVICE

Before contacting the customer service, please review the following trouble shooting list that includes common problems that are not the result of a defect in workmanship or materials.

TROUBLE SHOOTING		
Problem	Possible Cause	Solution
Not working	No power supply	Connect to a functioning outlet and switch on
	“Water Full” indicator flashes	Drain water tank and reset it, or re-position the water tank to the right place
	Room temperature < 41°F, or > 95°F	Self-Protection designed to protect the unit. Cannot work under such temperature
Functioning poorly	Is the air filter clogged?	Clean the air filter as instructed
	Is the intake duct or discharge duct obstructed?	Remove the obstruction from the discharge duct or intake duct.
No air intake	Is the filter clogged?	Wash the filter
Loud noise when running	Is the machine put on an uneven surface?	Put the machine on the flat ground
	Is the filter clogged?	Wash the filter
E2	Problem with the humidity sensor	Replace the sensor
LO	The ambient humidity is less than 20%	The dehumidifier switches off automatically for self-protection
HI	The ambient humidity is over 90%	
CL	Protection at low temperatures the ambient temperature is < 5 °C	
CH	Protection at high temperatures the ambient temperature is < 35 °C	

DECOMMISSIONING

8.1 STORAGE

Long-term storage - If you will not be using the unit for an extended period of time (more than a few weeks) it is the best to clean the unit and dry it completely. Please store the unit according to the following steps:

1. Press the power button to switch off and unplug the unit.
2. Drain the remaining water from the unit.
3. Clean the filter and let the filter dry completely in a shaded area.
4. Collect the power cord at the water tank.
5. Re-install the filter at its position.
6. The unit must be kept in an upright position when in storage.
7. Preserving the machine in a ventilating, dry, corrosive gas-free, and safe indoor space.

ATTENTION:

The evaporator inside the machine has to be dried before the unit is packed to avoid component damage and molds. Unplug the unit and place it in a dry open area for days to dry it out. Another way to dry the unit is to set the humidity level more than 5% higher than the ambient humidity to force the fan to dry the evaporator for a couple of hours.

8.2 DISPOSAL

WARNING!!!

Releasing refrigerant into the atmosphere is strictly forbidden!

Do not dispose electrical appliances as unsorted municipal waste, but use separate collection facilities. Contact your local government for information regarding the collection systems available.

If electrical appliances are disposed in landfills or dumps, hazardous substances can leak into the groundwater and get into the food chain, which thus impairs your health and well-being.



CONFORMS TO UL STD.60335-1&60335-2-40
CERTIFIED TO CSA STD.60335-1&60335-2-40
Zhejiang Oulun Electric Co., Ltd.

