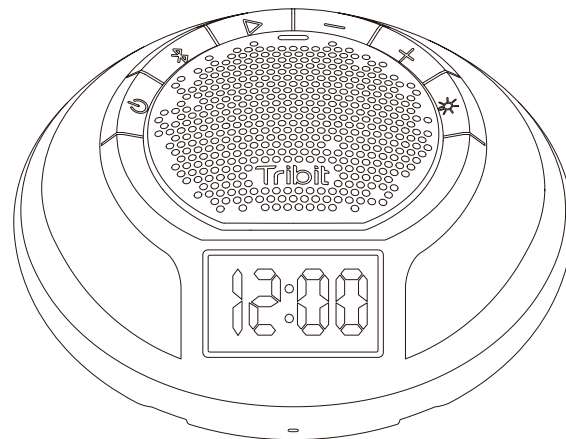


A

**Tribit**<sup>®</sup>  
Unleash the true sound

Portable Wireless Speaker

# Tribit AquaEase



**BTS11**

Hereby, Thousandshores Deutschland GmbH declares that the radio equipment type Portable Wireless Speaker BTS11 is in compliance with Directive 2014/53/EU. The full text of the EU declaration conformity is available at the following internet address: <http://files.tribit.com/bts11-eu-doc.pdf>

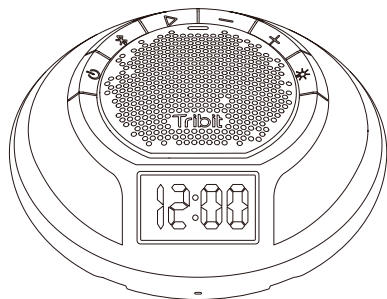
Hiermit erklärt Thousandshores Deutschland GmbH, dass der Funkanlagentyp Portable Wireless Speaker BTS11 der Richtlinie 2014/53/EU entspricht. Der vollständige Text der EU-Konformitätserklärung ist unter der folgenden Internetadresse verfügbar: <http://files.tribit.com/bts11-de-doc.pdf>

Learn more about the UK Declaration of Conformity, Please click below link to download. <http://files.tribit.com/bts11-uk-doc.pdf>

English User Manual | Benutzerhandbuch | Guide Utilisateur  
Manual de Usuario | Manuale Utente | 取扱説明書 | 说明书

English User Manual	01
Benutzerhandbuch	16
Guide Utilisateur	29
Manual de Usuario	42
Manuale Utente	55
取扱説明書	68
用户手册	81

## Package Contents



Tribit AquaEase

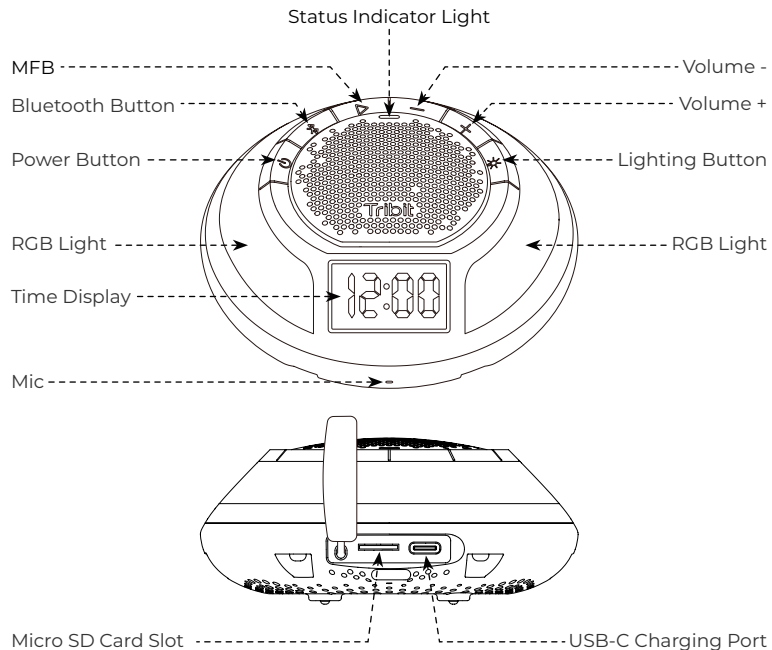


USB-C Cable



User Manual

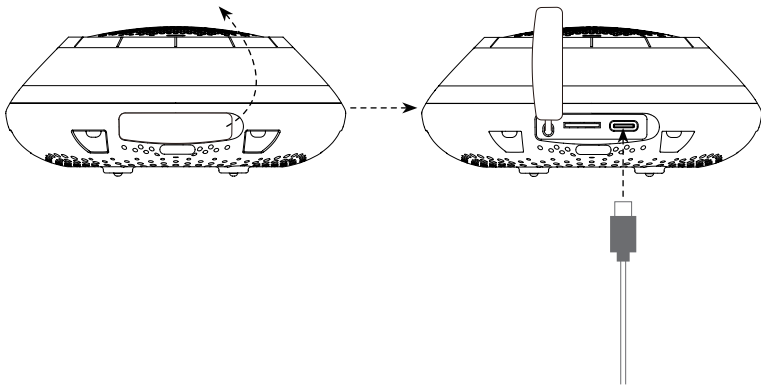
## Product Illustration



Tips: Support micro SD card up to 32G, support file system format FAT32.

## How to Charge the Speaker

Connect the other end of charging cable to a charging adapter and connect the charging cable to the USB-C charging port on the Bluetooth speaker.



### Note:

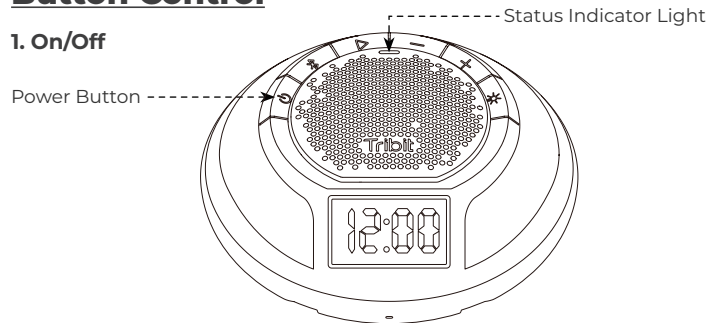
During charging, the indicator light is always on in red.


When the speaker is fully charged, the red indicator light goes off.

**When using in wet or watery environment, please plug the silicone plug tightly to avoid water in the charging port.**

## Button Control

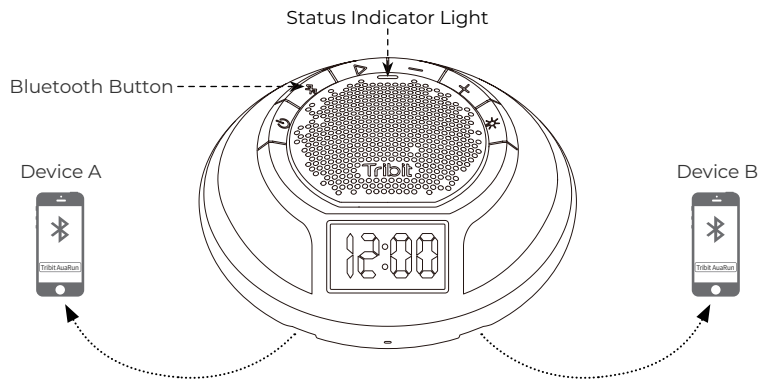
### 1. On/Off



	Press	Turn on	<ul style="list-style-type: none"> <li>The status indicator light is always on in blue.</li> <li>When the battery is low, the status indicator will flash in red.</li> <li>During charging, the indicator is always on in red.</li> <li>When the speaker is fully charged, the red indicator light goes off.</li> </ul>
	Press	Turn off	All lights are off and the display goes off.
	Press and hold for 8s	Forced shutdown	All lights are off and the display goes off.

**Note:** If the Tribit AquaEase Speaker is unable to be powered off due to unknown reasons, you can forcibly turn it off by pressing and holding the power button for 8 seconds and then the speaker will re-start automatically.

## 2. Bluetooth Connection



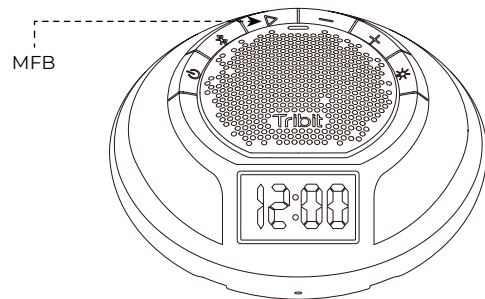
	Press and hold the Bluetooth button for 1s	The speaker will automatically enter into Bluetooth pairing mode.	The blue indicator light will flash rapidly.
	Press twice	Micro SD card playback mode	White light is always on

### Tribit AquaEase:

- Automatically re-connects to the last paired device.
- Connects 2 bluetooth devices at the same time.
- Memories 8 bluetooth devices.

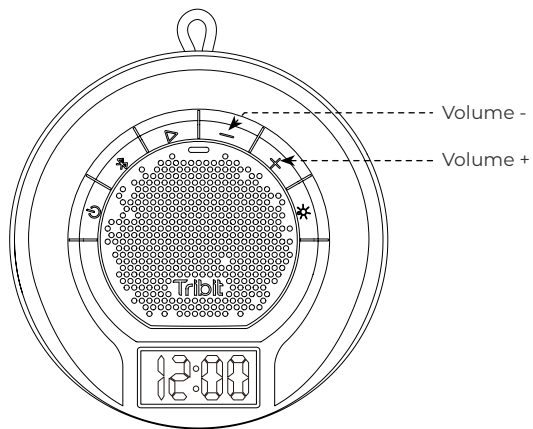
**Note:** When 2 devices are connected to the Tribit AquaEase speaker, device A and device B cannot play simultaneously---only one speaker at a time.

## 3. Multifunctional Button (MFB)



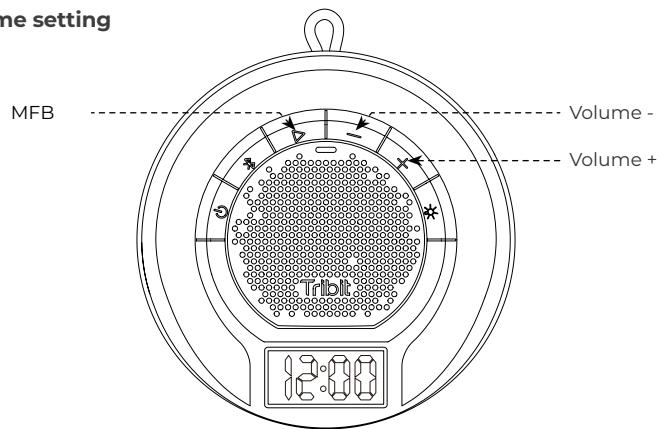
	Press once	Play / Pause
	Press twice	Next track
	Press three times	Previous track
Press and hold for 1 second	Activate voice assistant	
	Press	Answer / end a call
	Press and hold for 1 second	Reject a call
	Press and hold for 1 second (during a call)	Pause the current call and answer an incoming call
	Press (during a three-way calling)	Switch between the 2 calls.
	Press and hold for 1 second (during a three-way calling)	End the call with the caller not in the line.

## 4. Volume



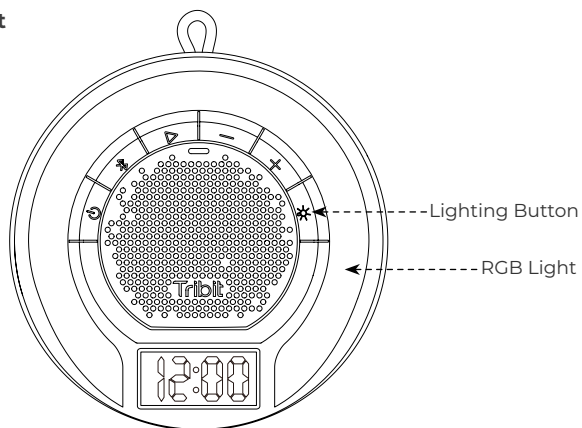
+	Press	Increase the volume
	Press and hold	Continuously increase the volume
-	Press	Decrease the volume
	Press and hold	Continuously decrease the volume

## 5. Time setting



▶	Press and hold for 5 second	Enter time settings
	Press	Confirm settings
+ -	Press	Time mode switching

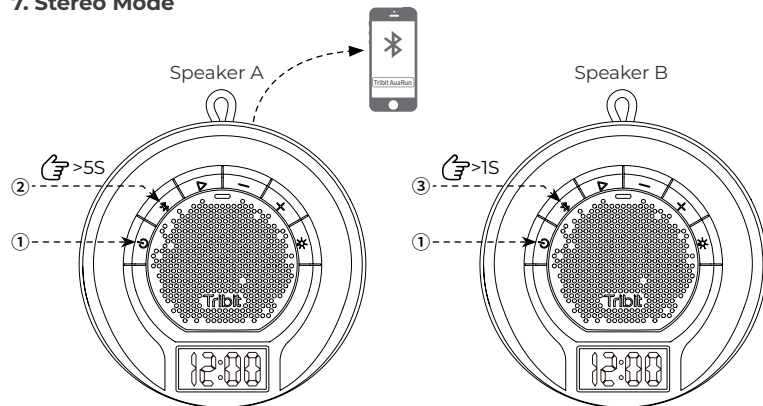
## 6. Ambient Light



Press

Switch / Turn off the light effect.

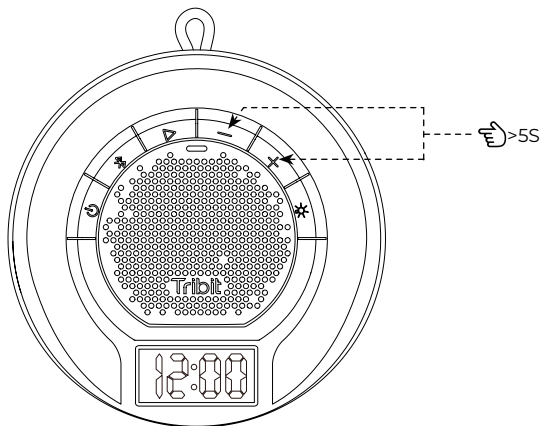
## 7. Stereo Mode



- ① Make sure speaker A and speaker B are both are turned on.
- ② Press and hold the Bluetooth button on speaker A for 5 seconds to enter the stereo pairing mode. ( Speaker A is the primary speaker.)
- ③ Press and hold the Bluetooth button on speaker B for 1 seconds to enter the stereo pairing mode. (Note: If this speaker is already in pairing mode, there is no need to perform this operation)
- ④ When you hear the prompt, "Stereo Mode", the stereo pairing is successful. When entering the Stereo Mode, the primary speaker reads, "left Channel" and the secondary speaker reads, "Right Channel".

**Note:** Stereo mode is only available when there are 2 Tribit AquaEase speakers. And make sure the firmware of both speakers have been upgraded to the latest version through the APP.

## 8. Reset



If malfunction occurs, you can try to reset the speaker ( press and hold the volume + button and volume - button at the same time for 5 seconds ) to remedy issues. Once reset, all the old data has been wiped, and you need to pair the speaker to your Bluetooth device anew.

## Specifications

Bluetooth Version	V5.3
Bluetooth Protocol	A2DP, AVRCP, HFP, HSP
Output Power	5W
Frequency Response	100~16KHz
Frequency Band	2402-2480MHz
Maximum Transmission Power	≤6dBm
Battery	3.7V, 2200mAh, 8.14Wh
Charging Time	3 hours @ DC 5V/1A
Waterproof Rating	IPX7
Size	109.6 * 109.6 * 48.2mm
Weight	260g



## **Customer Service**

- An 12-month Warranty
- For more services and information, please Email to support@tribit.com.

## **Safety Precautions**

- Do not place the speaker in a place where it is easy to fall.
- IPX7 is tested under strictly controlled laboratory conditions. Water resistance may diminish over time under daily use. To prevent damage to the product from liquids, do not immerse the product in water.
- Do not disassemble, repair or modify this product by yourself.
- Keep the speaker away from extreme temperatures.
- Do not use the speaker in an outdoor thunderstorm environment.
- Do not use any corrosive cleaners or other chemical solutions to clean the speaker.

## **FCC Statement**

Changes or modifications not expressly approved by the party responsible for compliance could void the user's authority to operate the equipment.

This equipment has been tested and found to comply with the limits for a Class B digital device, pursuant to Part 15 of the FCC Rules. These limits are designed to provide reasonable protection against harmful interference in a residential installation. This equipment generates uses and can radiate radio frequency energy and, if not installed and used in accordance with the instructions, may cause harmful interference to radio communications. However, there is no guarantee that interference will not occur in a particular installation. If this equipment does cause harmful interference to radio or television reception, which can be determined by turning the equipment off and on, the user is encouraged to try to correct the interference by one or more of the following measures:

- Reorient or relocate the receiving antenna.
- Increase the separation between the equipment and receiver.
- Connect the equipment into an outlet on a circuit different from that to which the receiver is connected.
- Consult the dealer or an experienced radio/TV technician for help.

This device complies with part 15 of the FCC rules. Operation is subject to the following two conditions (1) this device may not cause harmful interference, and (2) this device must accept any interference received, including interference that may cause undesired operation.

## IC Caution

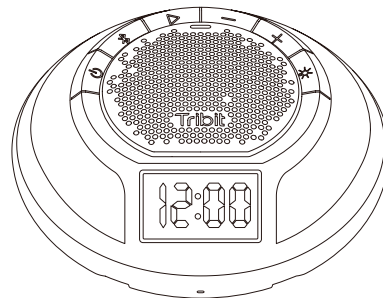
This device complies with Industry Canada licence-exempt RSS standard(s).

Operation is subject to the following two conditions: (1) This device may not cause interference, and (2) This device must accept any interference, including interference that may cause undesired operation of the device.

Le présent appareil est conforme aux CNR d'Industrie Canada applicables aux appareils radio exempts de licence.

L'exploitation est autorisée aux deux conditions suivantes: (1) l'appareil ne doit pas produire de brouillage, et (2) l'utilisateur de l'appareil doit accepter tout brouillage radioélectrique subi, même si le brouillage est susceptible d'en compromettre le fonctionnement.

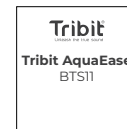
## Lieferumfang



Tribit AquaEase



USB-C-Kabel



Benutzerhandbuch