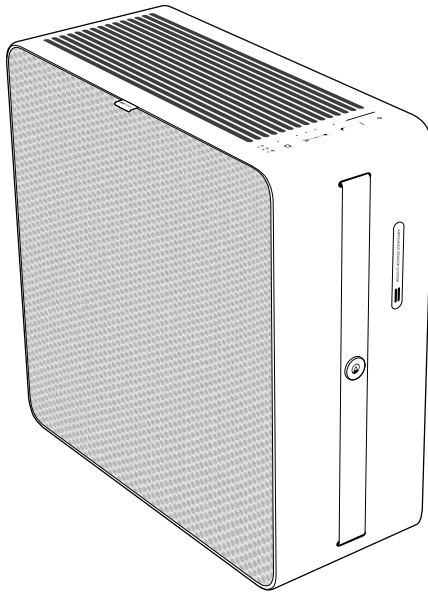


# RENEW air purifier



## User Manual

English .....	2
Français .....	24
Deutsch .....	46
Español .....	68
Norsk .....	90

---

Model: AP-1

**READ AND SAVE  
THESE INSTRUCTIONS**



# WE LIVE AND BREATHE AIR QUALITY

In 2011, Airthings was created with the mission to help people everywhere take control of the air they breathe at home. We make a range of indoor radon and air quality monitors that give homeowners the power to see the invisible and understand what's really in their air.

Renew is our air purifier designed thoughtfully for use in bedrooms. Sound sleep is essential for health and well-being. During the night, your body repairs and renews itself, restoring your energy and helping you to wake refreshed the next morning. Renew is ultra-quiet and integrates a high-precision particle sensor to track changes in your air quality to ensure you're always breathing clean and healthy air.

This guide will help you get started using your Renew safely and effectively. If you need additional information or help, check our knowledgebase online at [help.airthings.com](https://help.airthings.com) or contact our team at [support@airthings.com](mailto:support@airthings.com).

# CONTENTS

<b>Important safety information</b> .....	4
<b>Terms used in this guide</b> .....	8
<b>Your Renew air purifier</b> .....	9
<b>Getting started</b> .....	10
Quick start guide .....	10
Getting the most out of your Renew .....	11
Mounting Renew on a wall .....	12
Set it and forget it with Auto mode .....	13
Fan safe feature .....	13
<b>Using the control panel</b> .....	14
<b>Maintaining your Renew</b> .....	16
Changing the filters .....	16
Keeping it clean .....	16
<b>Energy efficiency</b> .....	18
<b>Warranty</b> .....	18
<b>Waste management</b> .....	19
<b>Regulatory information</b> .....	20
<b>Supplier Declaration of Conformity</b> .....	23

# IMPORTANT SAFETY INFORMATION

**Read and save these instructions.**

## **DANGER – To reduce the risk of fire, electric shock or injury to persons**

In the event of a malfunction (sparks, burning smell, etc.), immediately stop the operation, disconnect the power cord, and contact Airthings customer support.

- Do not store or use gasoline or other flammable vapors and liquids in the vicinity of this or any other appliance.
- **WARNING:** Do not use this fan with any solid-state speed control device.
- Do not let water or any other liquid or flammable detergent enter the unit.
- Do not reach for a unit that has fallen into the water. Unplug it immediately.
- Do not place or store the unit where it can fall or be pulled into a tub or sink.
- Do not place in or drop into water or other liquid.
- **WARNING:** Do not use replacement parts that have not been recommended by the manufacturer (e.g. parts made at home using a 3D printer).
- Children under 8 years of age should be kept away from the appliance unless continuously supervised. Keep all packaging away from children.
- This appliance can be used by children aged 8 years and above and persons with reduced physical, sensory, or mental capabilities or lack of experience and knowledge if they have been given supervision or instruction concerning the use of the appliance in a safe way and understand the hazards involved. Children shall not play with the appliance. Cleaning and user maintenance shall not be made by children without supervision.

## **WARNING – To avoid product damage or personal injury**

- To avoid fire hazards or electric shock, do not cut, remove, or bypass any prong from the power cord.
- In the event of a malfunction (sparks, burning smell, etc.), immediately stop the operation and disconnect the power cord. Contact Airthings customer support.
- This appliance can be used in a 100-240V, 50-60 Hz power supply without any change.
- Do not use an extension cord or an adapter plug.
- Keep the cord away from heated surfaces.
- Do not operate the unit with a damaged cord or plug, or after the air purifier malfunctions, or has been dropped or damaged in any manner. Contact Airthings customer support.
- Do not pinch, bend, or knot the power cord. Do not cut or damage the power cord. If the power cord is damaged. Contact Airthings customer support.
- Ensure that any electrical/electronic equipment is 12 inches (30 cm) away from the unit.
- Do not stop the unit by unplugging the power cord or turning off the power at the electrical box.
- If purchased in the US, this appliance has a polarized plug (one blade is wider than the other). To reduce the risk of shock, this plug is intended to fit only one way in a polarized outlet. If the plug does not fit fully in the outlet, reverse the plug. If it still does not fit, contact a qualified electrician.  
**CAUTION: DO NOT attempt to defeat this safety feature. To do so could result in an electric shock hazard.**

## **CAUTION – To operate the appliance safely**

- Do not use outdoors. This product is intended for indoor household use only.
- Do not use in rooms with high humidity like bathrooms or laundry rooms.
- Do not tilt or move the unit while it is in operation. Shut off and unplug the unit before moving.
- Turn off the unit at the power source when not in use for an extended period.
- Keep the unit at least 3.5 ft (1 m) from heat sources like stoves, radiators, or heaters.
- Do not direct airflow toward fireplaces, candles, or other sources of flame. This can cause flare-ups.
- Only operate the unit with the air filters installed or designed for this unit.
- Do not block or cover the intake area, discharge area, and outlet ports. Do not use it on any soft surface, like a bed, where openings may become blocked.
- When using the wall hanging hook ensure that the hook is securely fastened. Do not place items on top of a wall-mounted unit. Keep the wall-mounted unit and its power cable away from the reach of children.
- Do not climb on or place objects on the unit. Do not hang objects off the unit. Do not place containers with liquids on the unit.
- Always unplug the unit before changing the filters. Do not attempt to touch the fan blade when removing the filter.
- Do not operate the unit with wet hands.
- Do not insert fingers or objects into the air discharge area or top grill of the unit.
- This unit contains no user-serviceable parts other than replaceable filters. If you suspect the unit to be defective, contact Airthings customer support.
- Do not run cords under carpeting, rugs, runners, furniture, or appliances. This can cause a trip hazard.
- Do not hang onto, climb on, pull the power cord, or place any objects on top of a wall-mounted air purifier.

**USE THIS AIR PURIFIER ONLY FOR ITS INTENDED USE AS DESCRIBED IN THIS MANUAL. ANY OTHER USE NOT RECOMMENDED BY THE MANUFACTURER MAY CAUSE FIRE, ELECTRIC SHOCK, OR INJURY TO PERSONS.**



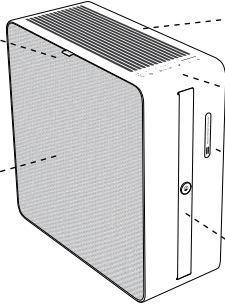
# TERMS USED IN THIS GUIDE

- CADR:** The “Clean Air Delivery Rate”, or CADR, describes the air purifier’s effectiveness based on the volume of clean air produced per minute.
- dB (A):** Decibels are units that measure sound intensity. For example, 25 dB is commonly described as quiet as a “whisper” or “library quiet”.
- HEPA-13:** HEPA, or high-efficiency particulate air, is a standard to designate the efficiency of an air filter for removing particulates. HEPA-13 filters provide medical-grade particulate filtration removing 99.97% of particles over 0.2 microns in diameter. These include pollen, mold spores, bacteria, viruses, and other fine particulates.
- Pre-filter:** A pre-filter removes larger particles before the air is passed through the HEPA-13 filter. Renew has two pre-filters: an audio-grade textile outer pre-filter and a mesh inner pre-filter. Both can be cleaned and help to extend the effective life of the HEPA-13 filter.
- Activated carbon:** Sometimes referred to as charcoal filters, these filters use activated carbon pellets that absorb and trap gasses and odors from the air. Among many other things, this filter helps to address the odors that can come from pets, cooking, and smoking.
- PM<sub>2.5</sub>:** These are designations that describe airborne particulate matter (PM) types in terms of their maximum diameter as measured in microns ( $\mu$ ). All of these are inhalable, but PM<sub>2.5</sub> particles are notable for being small enough to not only enter the lungs but also the bloodstream. Long-term exposure to air with high levels of PM<sub>2.5</sub> has been linked to several serious long-term health effects including heart disease and lung disease.
- The high-precision PM sensor in Renew measures the concentration of particulates in the room’s air and reports PM<sub>2.5</sub> levels in the Airthings app in terms of microns per cubic meter of air ( $\mu/m^3$ ).

# YOUR RENEW AIR PURIFIER

**Pull tab**  
For removing cover

**Front cover**  
Airflow in/Textile prefilter - do not block - leave at least 8" (20cm) clearance



**Air outlet grill**  
Do not block - leave at least 8" (20cm) clearance

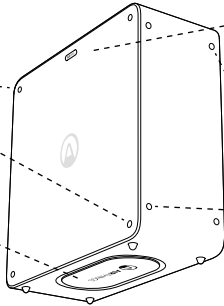
**Control panel**

**Air quality sensor**  
Do not block - leave at least 8" (20cm) clearance

**Strap handle**  
For carrying only

**Feet for back-lying position**

**Power cable compartment**  
Removable cover

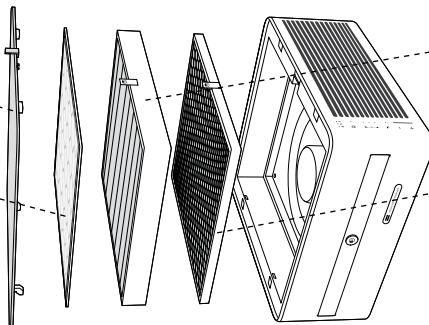


**Opening for wall hook**  
Use for wall-mounting

**Feet for side-standing position**

**Front cover (textile prefilter)**  
Clean by gently vacuuming

**Mesh pre filter**  
Wash with mild soap and water



**HEPA-13 filter**  
Replaceable - do not wash

**Active charcoal filter**  
Replaceable - do not wash

# GETTING STARTED

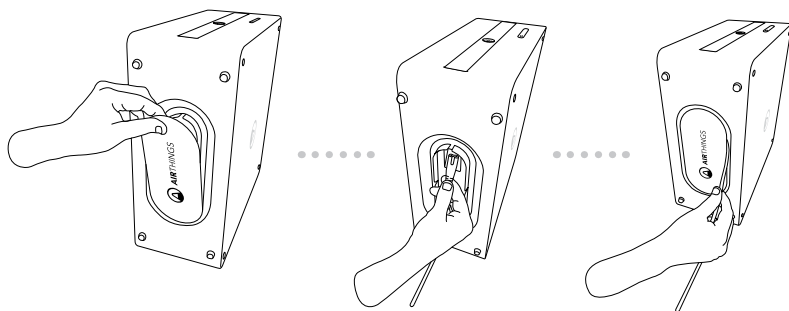
Remove Renew and the power cord from the box. Place the unit on the floor with the control panel facing up.

---

## Quick start guide

**STEP 1.** Connect the power cable to the unit.

Lay Renew gently on its side so you can access the cable storage compartment on the bottom side. Remove the compartment cover and connect the power cord. With the location of the power outlet and placement of the unit in mind, wind up any excess length of cable in the compartment after replacing the cover.



**STEP 2.** Connect to power

Plug the power cable into a AC 120V (US) AC 220-240V (EU/UK) electrical outlet. The unit enters Auto mode and the air quality sensor begins to sample the air.

---

**STEP 3.** Connect to WiFi

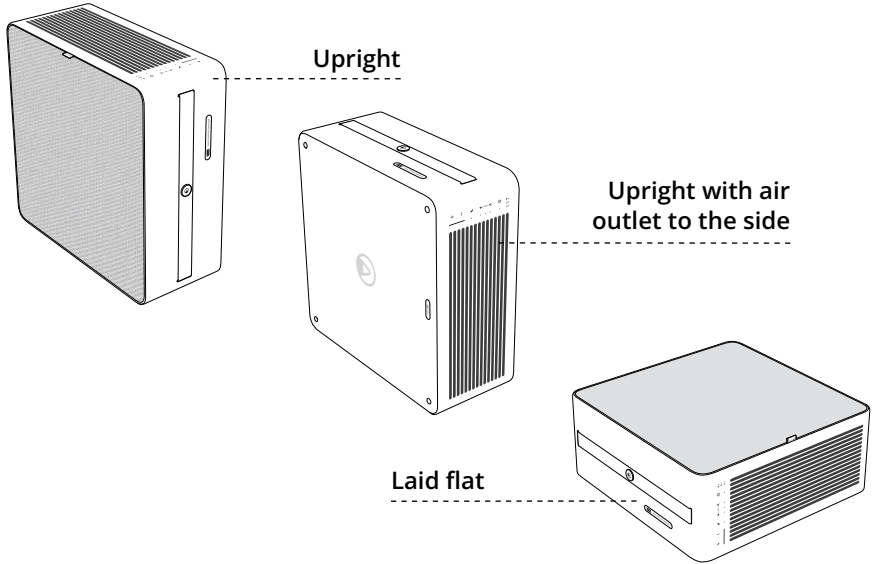
Download the Airthings app and follow the instructions to create an account, connect to your WiFi, and add Renew to your account. If you already have an Airthings account, tap Add device to add Renew and you're ready to go.

To disconnect from WiFi, go to the device settings in the app, or see instructions in this manual to "factory reset."

**Note:** For WiFi connectivity, Renew requires a 2.4 GHz band router and the Airthings app. The Airthings app requirements can be found in the App Store and Google Play.

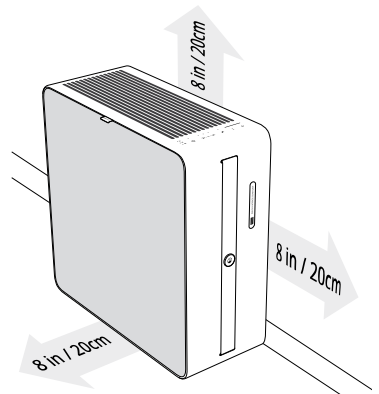
## Getting the most out of your Renew

Renew is designed to fit easily into your environment and offers a few different placement options.



However you choose to place Renew in your room, we suggest you consider the following to get the best performance.

- Only place the unit on a level and stable surface.
- Don't place anything on top of Renew.
- Renew takes air in through the textile cover and blows it out through the vented surface next to the control panel. Make sure you leave at least 8" (20cm) of free space so that air enters and leaves Renew freely.
- Avoid blocking the flow of air into the particulate sensor. Leave at least 8" (20cm) around the opening for the sensor.
- Operate Renew in an enclosed space to get the quickest results and to operate efficiently.



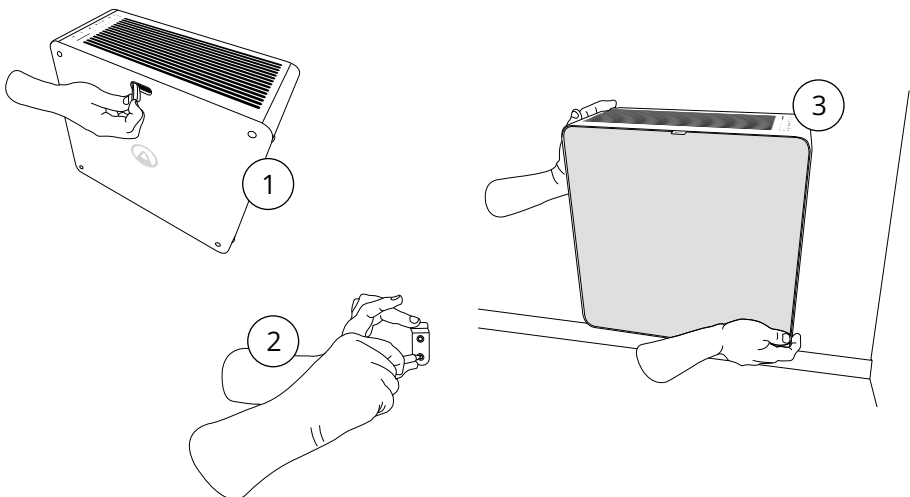
## Mounting Renew on a wall

**IMPORTANT NOTE:** *Make sure to use screws, drill bits, and fittings that are suitable for your type of wall material and the weight of the unit (13.5 lbs or 6 kg). Correct installation of the wall hook is essential and your responsibility. If you need help or are unsure, please contact a contractor. We do not accept any liability associated with the hanging of the Renew, including damage or injury resulting from incorrect assembly, mounting, or usage or liability due to the unit falling or the hook separating or dislodging from the wall.*

Renew can be mounted to a wall using the wall hook provided in the box. On the back side of the unit, there is an opening for this purpose. You should **ONLY** mount the unit with the textile cover facing out and the air outlets and control panel facing up. *Never use the strap handle to hang the unit - it is not designed for that purpose.*

We recommend wall-mounting the unit with the bottom side no more than 12" (30 cm) from the floor.

1. On the back side of Renew, there's a small covered opening. Remove this cover and save it somewhere you can find it again. We suggest you use the cable compartment cover to store this piece.
2. Using screws and other tools suitable for the wall material, attach the wall hook securely to the wall. Make sure the hook is firmly in place.
3. Now hang the unit on the hook using the opening on the back side.



## Set it and forget it with Auto mode

You don't have to worry about when to turn Renew on or off or how fast to run the fan. We designed Renew with a high-precision, laser-based particulate matter (PM) sensor that keeps track of your room's air quality. As soon as it detects an increase in PM, it activates the appropriate fan speed to keep air quality from becoming a problem.

That's why we recommend using Auto mode during daytime hours. You can rely on great air quality while avoiding unnecessary energy use.

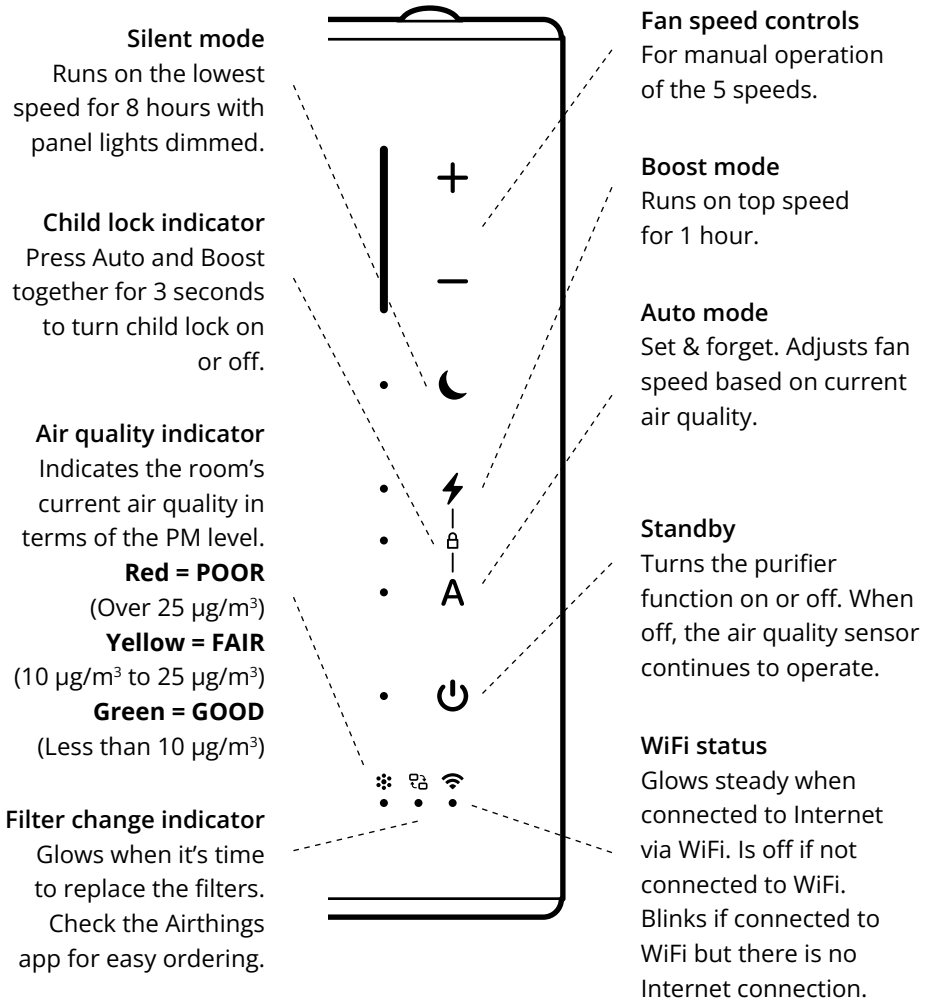
---

## Fan safe feature

If Renew detects that the fan speed drops abnormally, the motor will automatically stop to avoid any further damage to the fan blades. This typically happens if items are accidentally dropped or fall into the air outlet grill.

# USING THE CONTROL PANEL

The panel comprises a row of indicator lights next to control buttons for common operations. Additional operations can be activated by using a combination of buttons which are also described here.



Here are the additional operations you can perform using the onboard control panel:

<b>Reset the filter change indicator</b>	Do this right after changing the filters. Press and hold the Silent mode button for 5 seconds. This resets the filter algorithm and turns off the filter change indicator light.
<b>Turn off button beeps</b>	Press the Boost mode button for 5 seconds to turn off the beeps when the buttons are pressed. Do the same to turn the beeps back on.
<b>Dim the panel's LED lights</b>	The LED lights are always dimmed when you activate Silent mode. You can manually dim lights for ALL modes by pressing the Auto mode button for 5 seconds. Do the same to turn the lights back on.
<b>Reset the unit to factory settings</b>	Press and hold both the + and - buttons for 10 seconds to factory reset the device. When you factory reset the device all WiFi connections are erased and the device is ready to be paired to a new account in the app. The device will continue to show in your app unless you delete it, but you can no longer see new PM data or access smart functionality.

# MAINTAINING YOUR RENEW

There isn't much to do to keep your Renew running effectively for years. Along with changing the filters as needed, we recommend keeping the unit clean and free from excess dust.

---

## Changing the filters

Renew tells you when to change the filter based on a smart algorithm. This ensures everyday filter efficiency if the air is more polluted than average. The **Filter change indicator** on the control panel will illuminate. You can also check the remaining filter life in the app at any time.

You can order replacement filters at [airthings.com](https://airthings.com), in the Airthings app, or at selected authorized resellers.

Once you have the replacement filters on hand, here's what to do:

1. Unplug the device before changing the filters.
2. Remove the textile front cover (outer prefilter) and inner prefilter.
3. Now remove the old filter and replace it with the new one. Remember to insert the new filter with the pull-tab face-up and out.  
*Tip: Place the used filter directly into the bag the new filter comes in to prevent dust and particles from scattering.*
4. Reassemble the prefilters and plug the unit back in.
5. Finally, reset the filter change algorithm and turn off the **Filter change indicator** light. To do this, press and hold the Silent mode button for 5 seconds.

Do not try to touch the fan blades when changing the filters.

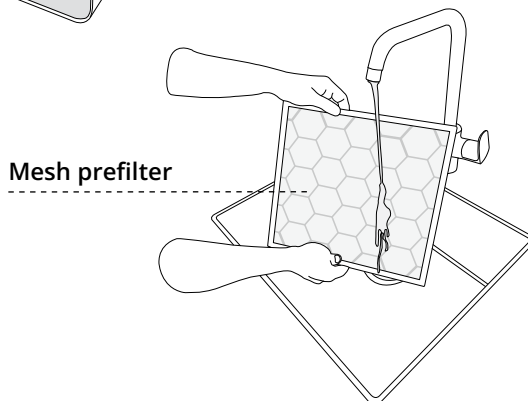
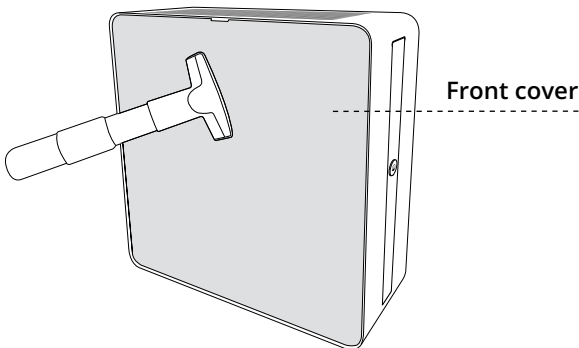
## Keeping it clean

Before cleaning Renew, it's a good idea to unplug it.

Wipe the **outside of the unit** with a clean, dry cloth to remove any accumulated dust and dirt. Never use cleaning liquids to clean Renew - if you must, only use a lightly damp cloth. Water or moisture should never enter the unit.

The **front cover** (also a prefilter) should be cleaned using a vacuum at a very low and gentle speed. Be careful not to push hard on the textile or you risk damaging it.

The **mesh prefilter** can be cleaned with water and a small amount of mild dish soap. If you have a handheld shower attachment, that's the easiest way to do this. Use a gentle stream of water or submerge the filter and gently move it back and forth. You must let the mesh prefilter dry completely before putting it back in. Moisture can increase the risk of mold growing inside the unit.



# ENERGY EFFICIENCY

This product earned the ENERGY STAR label by meeting strict energy efficiency guidelines set by the U.S. EPA. Room air cleaners have demonstrated the potential for improving air quality and providing health benefits. EPA does not endorse manufacturer claims regarding the degree to which a specific product will produce healthier indoor air. The energy efficiency of this ENERGY STAR-certified model is measured based on a ratio between the model's CADR for smoke and the electrical energy it consumes, or CADR/Watt.

---

# WARRANTY

Your purchase is covered by your region's standard warranty.

# WASTE MANAGEMENT

The symbol indicates that this product should not be thrown away in household waste. This product must be delivered to a recycling station or container for electrical appliances and electronic equipment. This is done to avoid health risks and prevent damage to the environment. Local businesses (or the environmental station in your neighborhood) are required by law to accept and recycle such products, as a means of environmentally friendly waste management.



**NOTE!** Discard the used filter as well as any plastic packaging according to local recycling guidelines.

# REGULATORY INFORMATION

## Regulatory information Canada

Changes or modifications not expressly approved by the party responsible for compliance could void the user's authority to operate the equipment.

This device complies with Innovation, Science, and Economic Development Canada's license-exempt RSS(s). Operation is subject to the following two conditions: (1) This device may not cause interference; and (2) This device must accept any interference, including interference that may cause undesired operation of the device.

RF exposure safety. This product is a radio transmitter and receiver. It is designed not to exceed the emission limits for exposure to radio frequency (RF) energy set by the ISED. The antenna must be installed and operated with a minimum distance of 20 cm between the radiator and your body. This transmitter must not be co-located or operating in conjunction with any other antenna or transmitter.

CAN ICES-3 (B)/NMB-3(B)

This Class B digital apparatus complies with Canadian ICES-003

## Regulatory information USA

Changes or modifications not expressly approved by the party responsible for compliance could void the user's authority to operate the equipment.

This device complies with part 15 of the FCC Rules. Operation is subject to the following two conditions:

(1) This device may not cause harmful interference, and (2) this device must accept any interference received, including interference that may cause undesired operation.

Class B device notice. NOTE: This equipment has been tested and found to comply with the limits for a Class B digital device, under part 15 of the FCC Rules. These limits are designed to provide reasonable protection against harmful interference in a residential installation. This equipment generates, uses, and can radiate radio frequency energy and, if not installed and used following the instructions, may cause harmful interference to radio communications. However, there is no guarantee that interference will not occur in a particular installation. If this equipment does cause harmful

interference to radio or television reception, which can be determined by turning the equipment off and on, the user is encouraged to try to correct the interference by one or more of the following measures:

- Reorient or relocate the receiving antenna.
- Increase the separation between the equipment and receiver.
- Connect the equipment to an outlet on a circuit different from that to which the receiver is connected.
- Consult the dealer or an experienced radio/TV technician for help.

RF exposure safety. This product is a radio transmitter and receiver. It is designed not to exceed the emission limits for exposure to radio frequency (RF) energy set by the Federal Communications Commission. The antenna must be installed and operated with a minimum distance of 20 cm between the radiator and your body.

This transmitter must not be co-located or operating in conjunction with any other antenna or transmitter.

## **Regulatory information EU**

Airthings products for sale in the EU comply with EU Directives. The full text of the EU Declaration of Conformity is available upon request by emailing [support@airthings.com](mailto:support@airthings.com).

## **Regulatory information UK**

Airthings products for sale in the UK comply with UK Statutory Instruments. The full text of the UK Declaration of Conformity is available upon request by emailing [support@airthings.com](mailto:support@airthings.com).

## **STATEMENT OF COMPLIANCE**

Product Security and Telecommunications Infrastructure, UK

Product: Renew Air Purifier, Model: AP-1, Serial #: 410xxxxxx

Designed by Airthings ASA, Wergelandsveien 7, 0167 Oslo, Norway

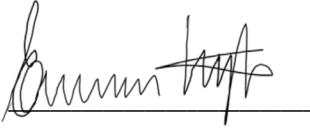
Made in China for Airthings ASA by Zhangzhou iHastek Inc., No. 10, Jinda Road, Wanlida Industry Zone, Jinfeng Industrial Estate, Zhangzhou, Fujian, China

Product is compliant to schedule 1 security requirements

Product is supported for min 5 years from January 2024

Place of issue  
OSLO

Date of issue  
March 8th 2024

A handwritten signature in black ink, appearing to read 'Emma Tryti', written over a horizontal line.

Emma Tryti, CEO, signature

## **Class 1 Laser information**

Classified as Class 1 Laser products per IEC60825-1 Ed. 3. These devices comply with 21 CFR 1040.10 and 1040.11, except for conformance with IEC 60825-1 Ed.3., as described in Laser Notice No. 56, dated May 8, 2019. Caution: These devices contain one or more lasers. Use other than as described in the user guide, repair, or disassembly may cause damage, which could result in hazardous exposure to infrared laser emissions that are not visible. This equipment should be serviced by Airthings or an authorized service provider.

## **ISM Frequency Bands and Output Power**

Frequency Range for Bluetooth, and 802.11b/g/n WiFi is 2400.0 - 2483.5 MHz  
Output power for Bluetooth is < 10mW  
Output power for 802.11b/g/n WiFi) is < 100mW

# SUPPLIER DECLARATION OF CONFORMITY

The following documents are available upon request:

- Conforms to UL STD-507
- Certified to CSA STD.C22.2 No.113
- US Supplier Declaration of Conformity under FCC part 15B
- Canada Supplier Declaration of Conformity under ICES-003
- Conforms to LVD / RED / ROHS
- EU / UK Declaration of Conformity under CE / UKCA



---

## Need more help?

Find technical articles at [help.airthings.com](https://help.airthings.com)

Contact our team at [support@airthings.com](mailto:support@airthings.com)

Follow @airthings on      [www.linktr.ee/airthings](https://www.linktr.ee/airthings)



---

## LA QUALITÉ DE L'AIR, NOTRE MISSION PREMIÈRE

En 2011, nous avons créé la société Airthings avec la mission de garantir à nos clients un contrôle total de l'air de leur domicile, où qu'ils se trouvent. Nous offrons une large gamme de détecteurs de la qualité de l'air et du radon qui permettent aux propriétaires de voir l'invisible et de connaître la composition de l'air de leur domicile.

Renew est notre purificateur d'air pensé pour les chambres à coucher, fruit d'un long développement. Un sommeil réparateur est indispensable à votre santé et à votre bien-être. Pendant votre sommeil, l'organisme active un processus de récupération et de régénération permettant de reconstituer votre capital d'énergie et de vous réveiller en parfaite forme le lendemain matin. Renew est non seulement ultra-silencieux, mais est également doté d'un capteur de particules haute précision qui surveille l'évolution de la qualité de l'air de votre intérieur pour que votre air reste propre et sain.

Ce guide va vous permettre de vous familiariser facilement et en toute sécurité avec votre purificateur Renew. Pour toute information ou aide complémentaire, consultez notre bibliothèque en ligne à l'adresse suivante : [help.airthings.com](https://help.airthings.com) ou contactez notre équipe par e-mail à : [support@airthings.com](mailto:support@airthings.com).

# CONTENU

<b>Consignes de sécurité importantes</b> .....	26
<b>Termes utilisés dans ce guide</b> .....	30
<b>Votre purificateur d'air Renew</b> .....	31
<b>Premiers pas</b> .....	32
Guide de démarrage rapide .....	32
Utilisation optimisée de votre purificateur d'air Renew .....	33
Fixation murale du purificateur d'air Renew .....	34
Mode Auto, une configuration qui sait se faire oublier .....	35
Fonctionnalité de ventilation sécurisée .....	35
<b>Utilisation du panneau de commande</b> .....	36
<b>Entretien de votre purificateur d'air Renew</b> .....	38
Changement des filtres .....	38
Nettoyage .....	39
<b>Efficacité énergétique</b> .....	40
<b>Garantie</b> .....	40
<b>Gestion des déchets</b> .....	41
<b>Informations réglementaires</b> .....	42
<b>Déclaration de conformité</b> .....	45

# CONSIGNES DE SÉCURITÉ IMPORTANTES

**Lisez et conservez les instructions suivantes.**

## **DANGER – Pour réduire tout risque d'incendie, de choc électrique ou de blessure**

En cas de dysfonctionnement (étincelles, odeur de brûlé, etc.), éteignez immédiatement l'unité, débranchez le cordon d'alimentation et contactez le service client d'Airthings.

- Ne conservez ni n'utilisez d'essence ou d'autres liquides et vapeurs inflammables à proximité du purificateur ou de tout autre appareil.
- **AVERTISSEMENT** : N'utilisez pas ce ventilateur avec toute autre commande de vitesse à semi-conducteur.
- Ne laissez pas d'eau ou tout autre liquide ou détergent inflammable pénétrer dans l'unité.
- Si l'appareil est immergé dans l'eau; ne tentez pas de le toucher. Débranchez-le immédiatement.
- Ne posez ni ne rangez l'unité sur une surface instable ou à proximité d'une baignoire ou d'un évier.
- Ne posez ni ne laissez tomber l'unité dans l'eau ou tout autre liquide.
- **AVERTISSEMENT** : N'utilisez pas de pièces de rechange non recommandées par le fabricant (par ex. des pièces fabriquées « maison » à l'aide d'une imprimante 3D).
- Les enfants de moins de 8 ans doivent être tenus à distance de l'appareil, sauf s'ils sont placés sous surveillance permanente. Gardez l'emballage hors de la portée des enfants.
- Peuvent utiliser cet appareil : les enfants âgés de 8 ans et plus, ainsi que les personnes présentant des capacités physiques, sensorielles ou mentales réduites ou qui n'ont pas l'expérience et les connaissances nécessaires, seulement si elles sont supervisées ou ont reçu des instructions pour utiliser l'appareil de manière sécurisée et ont été informées des risques associés. Les enfants ne doivent pas jouer avec l'appareil. Le nettoyage et l'entretien de l'appareil ne doivent pas être réalisés par des enfants laissés sans surveillance.

## **AVERTISSEMENT – Pour éviter tout risque de dommage matériel ou corporel**

- Pour éviter tout risque d'incendie ou de choc électrique, veillez à ne pas couper, retirer ou modifier le cordon d'alimentation.
  - En cas de dysfonctionnement (étincelles, odeur de brûlé, etc.), éteignez immédiatement l'unité, débranchez le cordon d'alimentation et contactez le revendeur ou l'importateur.
  - Cet appareil peut être utilisé avec une alimentation de 100 - 240 V, 50 - 60 Hz sans modification.
  - N'utilisez pas de rallonge ni d'adaptateur.
  - Gardez le cordon loin des surfaces chaudes.
  - N'allumez pas l'unité dont la prise ou le cordon est endommagé ou suite à un dysfonctionnement, une chute ou une quelconque avarie. Contactez le service client d'Airthings.
  - Ne pincez ni ne pliez ou nouez le cordon d'alimentation. Ne coupez ni n'endommagez le cordon d'alimentation. En cas de cordon endommagé, contactez le service client d'Airthings.
  - Vérifiez que tout appareil électrique/électronique se trouve à une distance minimum de 30 cm de l'unité.
  - N'arrêtez l'unité en débranchant le cordon d'alimentation ou en coupant le courant au niveau du boîtier électrique.
  - Si cet appareil a été acheté aux États-Unis, il est équipé d'une fiche polarisée (une broche plus large que l'autre). Pour éviter tout risque de choc électrique, cette fiche doit être insérée d'une seule et unique manière dans une prise polarisée. Si la fiche n'est pas entièrement branchée à la prise de courant, inversez-la. Si vous ne parvenez toujours pas à la brancher à une prise, contactez un électricien qualifié.
- ATTENTION : N'essayez PAS de contourner ce dispositif de sécurité. Le non-respect de cette consigne risquerait de provoquer un choc électrique.

## **AVERTISSEMENT – Pour faire fonctionner l'appareil en toute sécurité**

- N'utilisez pas l'appareil en extérieur. Ce produit est uniquement conçu pour une utilisation domestique en intérieur.
- Ne l'utilisez pas dans des pièces très humides, telles que les salles de bains ou les buanderies.
- N'inclinez ni ne déplacez l'unité lorsqu'elle est en cours d'utilisation. Éteignez et débranchez l'unité avant de la déplacer.
- Débranchez le cordon d'alimentation de l'unité si vous prévoyez de ne pas l'utiliser pendant une longue période.
- Gardez l'unité à une distance d'au moins 1 m de toutes sources de chaleur, telles que les cuisinières, les radiateurs ou les systèmes de chauffage.
- N'orientez pas la circulation de l'air vers un feu de cheminée, des bougies ou d'autres sources de flammes au risque de provoquer des flambées.
- N'utilisez l'unité qu'avec des filtres installés et conçus pour ce modèle.
- N'obstruez ni ne couvrez l'entrée et la sortie d'air, ainsi que les orifices d'évacuation. N'utilisez pas l'unité sur une surface souple, comme un lit par exemple, au risque d'obstruer ces orifices.
- En cas d'utilisation du crochet de fixation murale, vérifiez qu'il est solidement installé. Veillez à ne rien poser sur une unité murale. L'unité murale et son cordon d'alimentation doivent être hors de la portée des enfants.
- Ne montez pas sur l'unité et ne posez aucun objet dessus. Ne suspendez pas d'objets à l'unité. Ne posez pas de récipients contenant des liquides sur l'unité.
- Veillez à toujours débrancher l'unité avant de changer ses filtres. N'essayez pas de toucher la pâle de ventilation lors du retrait des filtres.
- Ne mettez pas l'unité sous tension avec les mains mouillées.
- Ne mettez pas vos doigts ni n'introduisez d'objets dans la sortie d'air ou la grille située sur le dessus de l'unité.
- Cette unité ne contient aucune pièce pouvant être réparée par l'utilisateur, hormis des filtres remplaçables. En cas de suspicion de dysfonctionnement, contactez le service client d'Airthings.
- Ne placez pas de cordons sous de la moquette, des tapis, des glissières, des meubles ou des appareils au risque de provoquer des chutes.

- Ne vous suspendez pas au cordon d'alimentation, ni ne montez ou ne tirez dessus et ne posez pas non plus d'objets sur le purificateur d'air monté au mur.

**UTILISEZ CE PURIFICATEUR D'AIR UNIQUEMENT AUX FINS POUR LESQUELLES IL A ÉTÉ CONÇU, COMME DÉCRIT DANS LE PRÉSENT MANUEL. TOUTE AUTRE UTILISATION NON RECOMMANDÉE PAR LE FABRICANT PRÉSENTE UN RISQUE D'INCENDIE, DE CHOC ÉLECTRIQUE OU DE BLESSURES.**

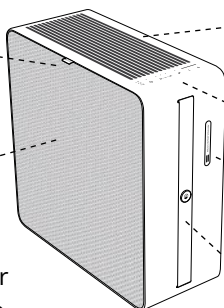
# TERMES UTILISÉS DANS CE GUIDE

- CADR :** le « débit d'air propre » ou CADR (Clean Air Delivery Rate) indique l'efficacité du purificateur d'air, à savoir le volume d'air propre produit par minute.
- dB (A) :** les décibels sont des unités mesurant l'intensité sonore. Par exemple, 25 dB correspondent à un niveau sonore bas, équivalant généralement à un chuchotement ou à l'ambiance calme d'une bibliothèque.
- HEPA-13 :** l'HEPA, ou Haute Efficacité pour les Particules de l'Air, est une norme permettant de déterminer l'efficacité d'élimination des particules d'un filtre à air. Les filtres HEPA-13 fournissent un filtrage de qualité médicale en retenant 99,97 % des particules ayant un diamètre supérieur à 0,2 micron, notamment le pollen, les spores de moisissures, les bactéries, les virus et autres particules fines.
- Préfiltre :** un préfiltre retient les plus grandes particules avant que l'air ne traverse le filtre HEPA-13. Renew est doté de deux préfiltres : un premier externe en tissu acoustique et un deuxième interne à mailles. Tous deux peuvent être lavés pour prolonger la durée de vie effective du filtre HEPA-13.
- Filtre à charbon actif :** parfois aussi appelé « filtre à charbon », ce filtre utilise des granulés de charbon actif qui absorbent et retiennent les gaz et odeurs présents dans l'air. Il permet, entre autres, de capturer les odeurs d'animaux de compagnie, de cuisine et de fumée de cigarette.
- PM<sub>2,5</sub> :** ces désignations décrivent les types de particules en suspension dans l'air (PM) en fonction de leur diamètre maximum mesuré en microns ( $\mu$ ). Toutes peuvent être inhalées, mais les particules PM<sub>2,5</sub> ont la particularité d'être suffisamment petites non seulement pour entrer dans les poumons, mais aussi dans le flux sanguin. Une exposition prolongée à un air contenant des niveaux élevés de particules PM<sub>2,5</sub> est associée à plusieurs effets nocifs pour la santé à long terme, notamment des maladies cardiaques et pulmonaires. La haute précision du capteur de particules PM de Renew mesure la concentration de particules présentes dans l'air d'une pièce et l'application Airthings indique les niveaux de particules PM<sub>2,5</sub> en microns par mètre cube d'air ( $\mu/m^3$ ).

# VOTRE PURIFICATEUR D'AIR RENEW

Languette  
de retrait du  
capot

Entrée d'air du capot  
avant/ préfiltre en tissu  
ne pas obstruer et laisser  
au moins un espace libre  
de 20 cm autour



Grille de sortie d'air  
Ne pas obstruer et laisser  
au moins un espace libre  
de 20 cm autour

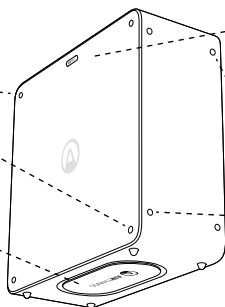
Panneau de commande

Capteur de qualité de l'air  
Ne pas obstruer et laisser  
au moins un espace libre  
de 20 cm autour

Poignée de transport

Pieds pour  
positionnement  
à plat

Compartment  
pour cordon  
d'alimentation  
Capot amovible

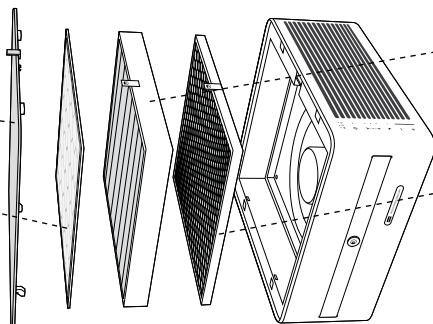


Ouverture pour  
crochet de fixation  
murale

Pieds pour  
positionnement  
latéral

Capot avant  
(préfiltre en tissu)  
Nettoyer en aspirant  
soigneusement

Préfiltre en mailles  
Laver avec un savon  
doux et de l'eau



Filtre HEPA-13  
remplaçable -  
ne pas laver

Filtre à  
charbon actif  
remplaçable -  
ne pas laver

# PREMIERS PAS

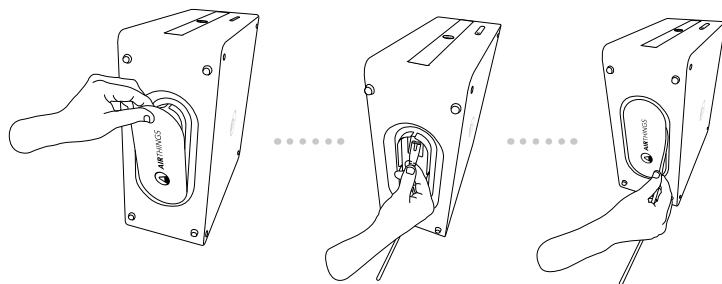
Retirez Renew et le cordon d'alimentation de leur boîte. Posez l'unité au sol avec le panneau de commande vers le haut.

---

## Guide de démarrage rapide

**ÉTAPE 1.** Branchement du cordon d'alimentation à l'unité.

Faites doucement pivoter Renew sur le côté afin d'accéder au compartiment de rangement du cordon d'alimentation situé en dessous. Retirez le capot du compartiment et branchez le cordon d'alimentation. En prenant en compte l'emplacement de la prise de courant et de l'unité, enroulez le surplus de cordon dans le compartiment en veillant à remettre le capot.



**ÉTAPE 2.** Branchement à une prise secteur

Branchez le cordon d'alimentation à une prise électrique de AC 120 V (États-Unis) / AC 220 - 240 V (UE/RU). L'unité passe en mode Auto et le capteur de qualité de l'air commence à mesurer l'air.

---

**ÉTAPE 3.** Connexion au réseau WiFi

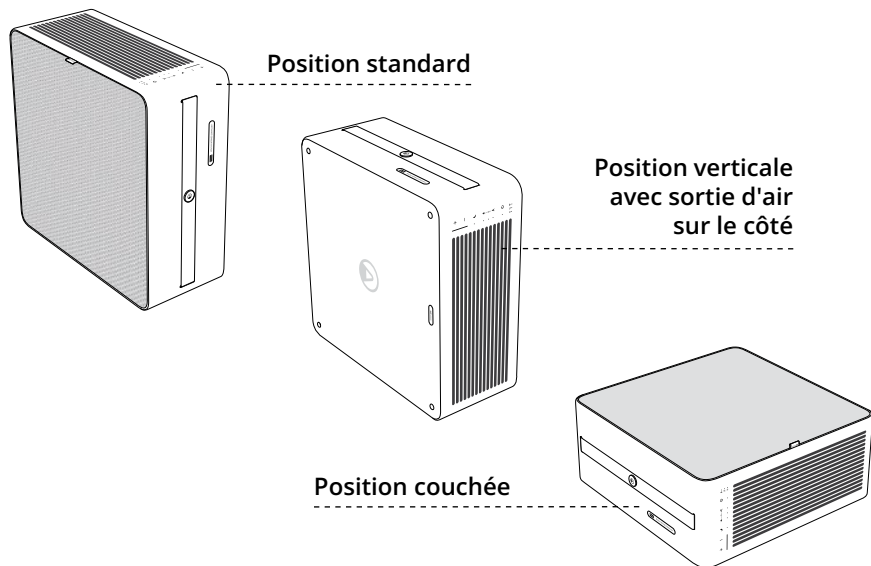
Téléchargez l'application Airthings et suivez les instructions pour créer un compte, vous connecter au réseau WiFi et ajouter Renew à votre compte. Si vous disposez déjà d'un compte Airthings, touchez Ajouter un appareil pour ajouter Renew et le purificateur sera alors prêt à être utilisé.

Pour vous déconnecter du réseau WiFi, allez dans les paramètres de l'application mobile, ou suivez les instructions dans la rubrique "Réinitialiser les paramètres d'usine."

**Remarque :** Pour profiter de la connectivité WiFi, vous devez installer un routeur à bande de 2,4 GHz et l'application Airthings (la configuration requise pour son installation se trouve dans l'App Store et Google Play).

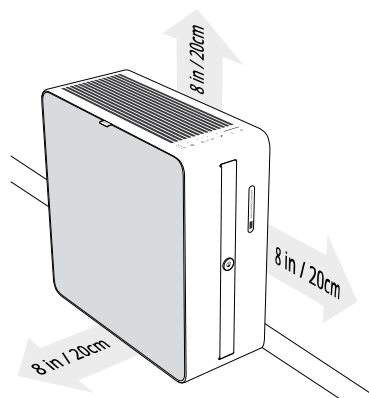
## Utilisation optimisée de votre purificateur d'air Renew

Se fondant parfaitement dans votre environnement, Renew offre plusieurs options d'installation différentes.



Quel que soit le mode d'installation que vous choisirez pour votre appareil, veuillez à lire les recommandations suivantes pour optimiser ses performances.

- Posez l'unité uniquement sur une surface plane et stable.
- Ne posez rien sur l'unité.
- Renew aspire l'air via le filtre en tissu et le rejette via la surface ventilée située à côté du panneau de commande. Veuillez à laisser un espace libre d'au moins 20 cm autour de l'unité afin que l'air puisse entrer et sortir librement.
- Évitez de bloquer le flux d'air dans le capteur de particules. Laissez un espace libre d'au moins 20 cm autour de l'orifice du capteur.
- Utilisez Renew dans un espace fermé pour obtenir des résultats plus rapides et optimiser son fonctionnement.



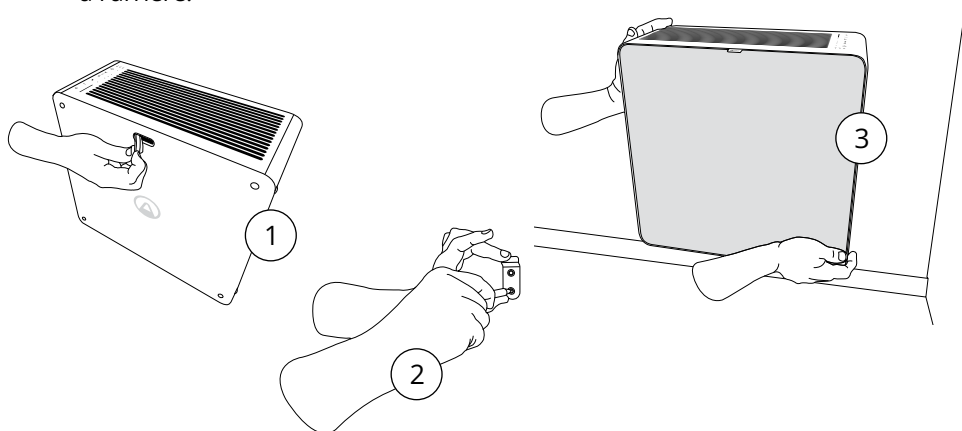
## Fixation murale du purificateur d'air Renew

**REMARQUE IMPORTANTE :** *Veillez à utiliser des vis, des forets et des fixations adaptés au matériau de votre mur et au poids de l'unité (6 kg). Le crochet mural doit être correctement installé et engage votre seule responsabilité. Si vous avez besoin d'aide ou que vous avez des questions à poser, contactez un artisan. Nous rejetons toute responsabilité liée à la fixation de l'unité, y compris tout dommage matériel ou corporel résultant d'un montage ou d'une utilisation non conforme ou d'une responsabilité inadaptée suite à une chute de l'unité ou à une mauvaise fixation ou au détachement du crochet sur le mur.*

Renew peut être fixé au mur à l'aide d'un crochet disponible dans la boîte. L'arrière de l'unité dispose d'une ouverture prévue à cet effet. Il est recommandé de fixer l'unité **UNIQUEMENT** avec le capot du filtre en tissu tourné vers l'extérieur et les sorties d'air et le panneau de commande orientés vers le haut. *Ne suspendez jamais l'unité par la poignée, car cette dernière n'a pas été conçue à cet effet.*

Au moment de fixer l'unité au mur, sa partie inférieure ne doit pas se trouver à plus de 30 cm du sol.

1. L'arrière de l'unité dispose d'une petite ouverture fermée par un cache. Retirez-le et placez-le dans un endroit où vous pourrez le retrouver. Nous recommandons d'utiliser le compartiment réservé au cordon pour ranger cette pièce.
2. Utilisez des vis et autres outils adaptés à une fixation murale pour installer solidement le crochet au mur. Veillez à ce qu'il soit parfaitement en place.
3. Maintenant, accrochez l'unité au crochet à l'aide de l'ouverture située à l'arrière.



## **Mode Auto, une configuration qui sait se faire oublier**

Vous n'oublierez plus d'allumer et d'éteindre Renew, ni de configurer la vitesse de rotation du ventilateur. Grâce à son capteur de particules en suspension (PM) à laser haute précision, Renew surveille en permanence la qualité de l'air de votre intérieur. En cas d'augmentation du taux de PM, l'unité adapte alors sa vitesse de ventilation pour éviter toute dégradation de la qualité de l'air.

C'est la raison pour laquelle nous recommandons d'utiliser le mode Auto pendant la journée. Vous pouvez compter sur une qualité de l'air optimale et des dépenses énergétiques réduites.

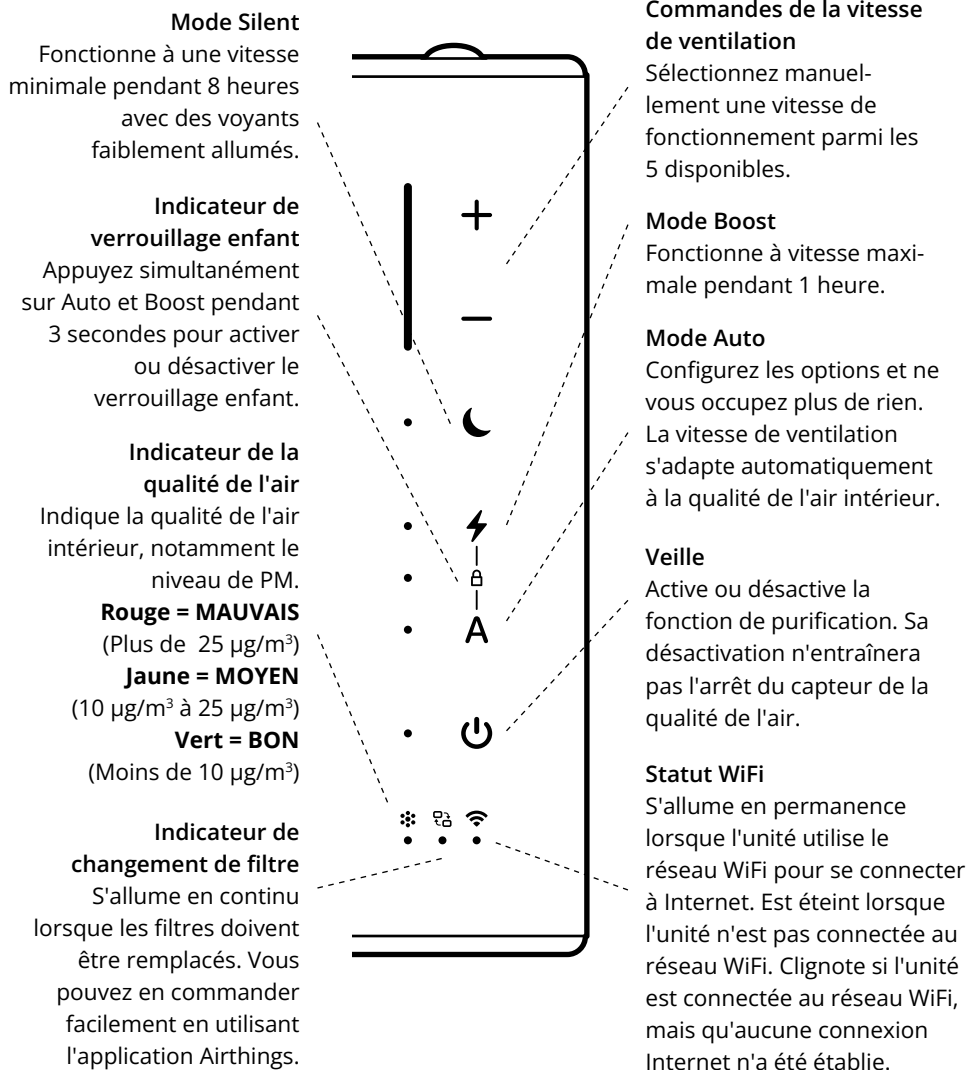
---

## **Fonctionnalité de ventilation sécurisée**

En cas de ralentissement anormal du ventilateur, le moteur de l'unité va automatiquement s'arrêter pour éviter d'endommager davantage les pales. En général, cette situation se produit lorsqu'un objet tombe accidentellement dans la grille de sortie d'air.

# UTILISATION DU PANNEAU DE COMMANDE

Le panneau se compose d'une rangée de voyants lumineux placés à côté de chaque bouton de commande servant à l'exécution d'opérations courantes. D'autres opérations peuvent être exécutées en utilisant plusieurs boutons et sont également expliquées ici.



Le tableau ci-dessous regroupe les autres opérations pouvant être exécutées avec le panneau de commande :

<b>Réinitialiser l'indicateur de changement de filtre</b>	Vous devez le faire une fois les filtres changés. Appuyez sur le bouton du mode Silent et maintenez-le pendant 5 secondes. Cette action réinitialise l'algorithme du filtre et éteint le voyant de l'indicateur de changement de filtre.
<b>Désactiver les bips des boutons</b>	Appuyez sur le bouton du mode Boost pendant 5 secondes pour désactiver les bips à chaque pression d'un bouton. Suivez la même procédure pour les réactiver.
<b>Tamiser les voyants LED du panneau de commande</b>	Les voyants LED sont toujours tamisés lorsque le mode Silent est activé. Vous pouvez manuellement tamiser les voyants de TOUS les modes en appuyant sur le bouton du mode Auto pendant 5 secondes. Suivez la même procédure pour les réactiver.
<b>Réinitialiser les paramètres d'usine de l'unité</b>	Appuyez sur les boutons + et - et maintenez-les enfoncés pendant 10 secondes pour rétablir les paramètres d'usine de l'appareil. Sa réinitialisation va supprimer toutes les connexions WiFi et l'appareil sera alors prêt à être associé à un nouveau compte via l'application. L'appareil va continuer de s'afficher dans votre application, sauf si vous l'avez supprimée, mais vous ne pourrez plus consulter les nouvelles données concernant les PM, ni accéder aux fonctionnalités intelligentes.

# ENTRETIEN DE VOTRE PURIFICATEUR D'AIR RENEW

Votre unité Renew nécessite un entretien minime pour assurer son fonctionnement optimal pendant plusieurs années. En plus de changer ses filtres quand nécessaire, nous recommandons de nettoyer l'unité et d'éviter toute accumulation de poussière.

---

## Changement des filtres

Un algorithme intelligent vous indique quand changer les filtres. Il veille ainsi à optimiser leur efficacité au quotidien en cas de dépassement des taux de pollution de l'air par rapport aux valeurs moyennes. L'indicateur de changement de filtre situé sur le panneau de commande s'allume. Vous pouvez également contrôler à tout moment la durée de vie restante d'un filtre à l'aide de l'application.

Vous pouvez commander des filtres de remplacement sur le site [airthings.com](https://airthings.com), via l'application Airthings ou auprès d'une sélection de revendeurs agréés.

Une fois les filtres en votre possession, procédez comme suit :

1. Débranchez l'appareil au préalable.
2. Retirez le capot avant en tissu (préfiltre externe) et le préfiltre interne.
3. Maintenant, retirez le filtre usagé et remplacez-le par un nouveau. Veillez à insérer le nouveau filtre avec la languette vers le haut.  
**Conseil** : mettez le filtre usagé directement dans le sachet du nouveau filtre pour éviter la dispersion de poussière et autres particules.
4. Remontez les préfiltres et rebranchez l'unité.
5. Pour finir, réinitialisez l'algorithme de changement de filtre et éteignez le voyant de **l'indicateur de changement de filtre**. Pour cela, appuyez sur le bouton du mode Silent et maintenez-le enfoncé pendant 5 secondes.

Évitez de toucher les pales du ventilateur lors du changement des filtres.

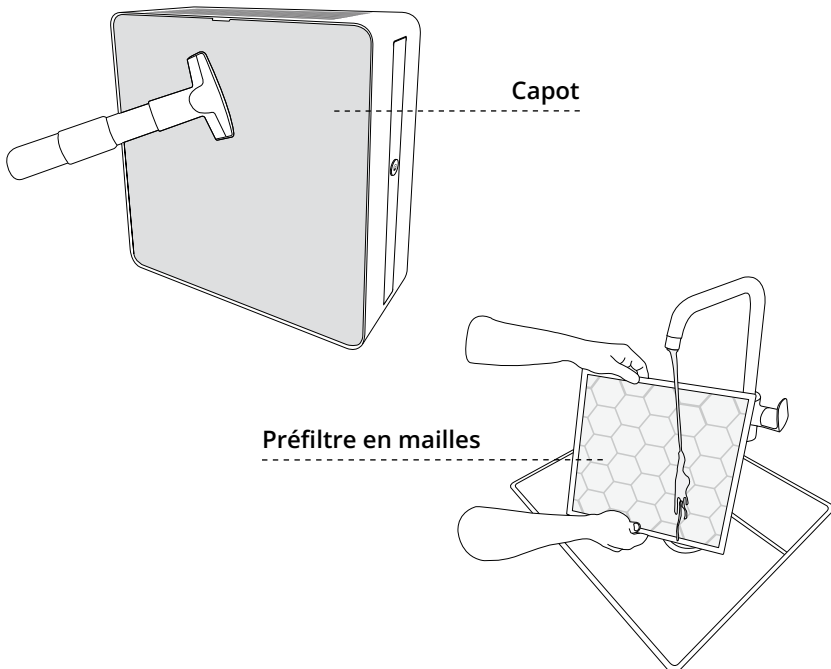
# Nettoyage

Débranchez l'unité au préalable.

Nettoyez sa surface extérieure à l'aide d'un chiffon propre et sec pour retirer la poussière et autres dépôts. N'utilisez jamais de liquides nettoyants sur l'unité, sauf si vous y êtes contraint. Dans ce cas, veillez à utiliser un chiffon légèrement humide. L'unité ne doit jamais contenir d'eau ni d'humidité.

Nettoyez soigneusement le capot avant (préfiltre) à l'aide de votre aspirateur et en sélectionnant une puissance d'aspiration minimale. Veillez à ne pas aspirer le tissu de façon trop insistante, au risque de l'abîmer.

Pour nettoyer le préfiltre en mailles, utilisez de l'eau et un peu de liquide vaisselle doux. Si vous disposez d'une douchette, le nettoyage n'en sera que plus facile. Faites doucement couler de l'eau ou submergez le filtre en faisant un léger mouvement de va-et-vient. Veillez à bien faire sécher le préfiltre en mailles avant de le remettre en place. La présence d'humidité peut favoriser le développement de moisissures à l'intérieur de l'unité.



# EFFICACITÉ ÉNERGÉTIQUE

Le produit a obtenu le label ENERGY STAR pour avoir respecté les directives drastiques imposées par l'Agence de protection de l'environnement des États-Unis (EPA) en matière d'efficacité énergétique. Les purificateurs d'air intérieur ont démontré leur capacité à améliorer non seulement la qualité de l'air, mais aussi la santé des personnes. L'EPA n'approuve pas les déclarations des fabricants concernant la capacité d'un produit donné à améliorer la qualité de l'air intérieur. L'efficacité énergétique de ce modèle certifié ENERGY STAR est évaluée en calculant le rapport entre la présence de fumée dans le CADR du modèle et l'énergie électrique consommée, ou CADR/Watt.

---

## GARANTIE

Votre achat est couvert par la garantie standard de votre pays.

# GESTION DES DÉCHETS

Ce symbole indique que ce produit ne doit pas être mélangé aux ordures ménagères, mais envoyé à une usine de recyclage ou jeté dans un conteneur réservé aux appareils électriques et électroniques. Cette directive évite ainsi tout risque sanitaire et toute pollution environnementale. Les entreprises locales (ou le point de recyclage de votre quartier) doivent obligatoirement accepter et recycler ces produits pour gérer leur mise au rebut de façon éco-responsable.

REMARQUE ! Jetez le filtre usagé, ainsi que tout emballage plastique, conformément aux directives de recyclage locales.



# INFORMATIONS RÉGLEMENTAIRES

## Informations réglementaires au Canada

Les changements ou modifications non expressément approuvés par la partie responsable concernant la conformité de l'appareil peuvent annuler le droit de l'utilisateur à utiliser l'équipement.

Cet appareil est conforme au CNR d'ISDE Canada. Son fonctionnement est soumis aux deux conditions suivantes : (1) cet appareil ne doit pas provoquer d'interférences ; et (2) doit accepter toute interférence reçue, notamment celles susceptibles de provoquer un fonctionnement indésirable.

Exigences de sécurité en matière d'exposition aux fréquences radio. Ce produit est un émetteur et un récepteur radio. Il est conçu pour ne pas dépasser les limites d'exposition aux radiofréquences (RF) définies par l'ISDE. L'antenne doit être installée de façon à garder une distance minimale de 20 cm entre la source de rayonnements et votre corps. Ce transmetteur ne doit pas être situé à proximité, ni utilisé avec une autre antenne ou un autre transmetteur.

CAN ICES-3 (B)/NMB-3(B)

Cet appareil numérique de classe B est conforme à la norme canadienne ICES-003

## Informations réglementaires aux États-Unis

Les changements ou modifications non expressément approuvés par la partie responsable concernant la conformité de l'appareil peuvent annuler le droit de l'utilisateur à utiliser l'équipement.

Cet appareil est conforme à la partie 15 des règles de la FCC. L'exploitation est soumise aux deux conditions suivantes :

(1) Cet appareil ne doit pas causer d'interférences nocives et (2) doit accepter toute interférence reçue, notamment celles susceptibles d'entraîner un dysfonctionnement.

Avis sur les appareils de classe B. REMARQUE : Cet appareil a été testé et déclaré conforme aux limites imposées aux appareils numériques de Classe B, en vertu de l'article 15 des réglementations de la FCC. Ces limites sont conçues pour fournir une protection raisonnable contre toute interférence nuisible en installation résidentielle. Cet appareil génère, utilise et peut émettre

une énergie de fréquence radio et peut, en cas d'installation et d'utilisation non conformes aux instructions, causer des interférences nuisibles aux communications radio. Toutefois, rien ne garantit l'absence d'interférences dans une installation particulière. En cas d'interférences nuisibles à la réception de signaux radio ou télévisuels, pouvant être détectés en allumant et en éteignant l'appareil, l'utilisateur peut essayer de corriger ce problème en appliquant l'une des mesures suivantes :

- Réorienter ou déplacer l'antenne de réception.
- Augmenter la distance de séparation entre l'équipement et le récepteur.
- Brancher l'appareil à une prise électrique reliée à un circuit différent de celui auquel est branché le récepteur.
- Consulter le revendeur ou un technicien radio/TV expérimenté pour obtenir de l'aide.

Exigences de sécurité en matière d'exposition aux fréquences radio. Ce produit est un émetteur et un récepteur radio. Il a été conçu de sorte à ne pas dépasser les limites d'exposition aux fréquences radio (RF) imposées par la Federal Communications Commission (FCC). L'antenne doit être installée de façon à garder une distance minimale de 20 cm entre la source de rayonnements et votre corps.

Cet émetteur ne doit pas être situé à proximité de ou fonctionner en conjonction avec toute autre antenne ou émetteur.

## **Informations réglementaires de l'Union européenne**

Les produits Airthings commercialisés dans l'UE respectent les directives européennes. Le texte intégral de la déclaration de conformité de l'UE est disponible sur demande et par e-mail à : [support@airthings.com](mailto:support@airthings.com).

## **Informations réglementaires du Royaume-Uni**

Les produits Airthings commercialisés au Royaume-Uni respectent les textes réglementaires du RU. Le texte intégral de la déclaration de conformité du RU est disponible sur demande et par e-mail à : [support@airthings.com](mailto:support@airthings.com).

## **Informations sur les produits laser de Classe 1**

Classés en tant que produits laser de Classe 1, selon la norme IEC 60825-1, édition 3. Ces appareils sont conformes aux réglementations 21 CFR 1040.10 et 1040.11, sauf exceptions relatives à la conformité avec la norme IEC 60825-1 éd. 3., telles que décrites dans la notice laser n ° 56 du 8 mai 2019.

Attention : Ces appareils contiennent un ou plusieurs lasers. Toute utilisation autre que celle décrite dans le guide de l'utilisateur, toute réparation et tout démontage peuvent provoquer des dommages susceptibles d'entraîner une exposition dangereuse à des émissions laser infrarouges non visibles. Cet appareil doit être réparé par Airthings ou un prestataire de services agréé.

## **Bandes ISM et puissance de sortie**

Plage de fréquence Bluetooth et WiFi 802.11b/g/n à 2400,0 - 2483,5 MHz

Puissance de sortie Bluetooth < 10 mW

Puissance de sortie WiFi 802.11b/g/n < 100 mW

# DÉCLARATION DE CONFORMITÉ

Les documents suivants sont disponibles sur demande :

- Conforme à UL STD-507
- Certifié conforme à la norme CSA STD.C22.2 n ° 113
- Déclaration de conformité du fournisseur nord-américain, en vertu de l'article 15B des réglementations de la FCC
- Déclaration de conformité du fournisseur canadien, en vertu de la norme ICES-003
- Conforme aux directives LVD/RED/ROHS
- Déclaration de conformité de l'UE/RU, en vertu de la norme CE/UKCA



---

## Besoin d'aide ?

Consultez des articles techniques sur le site : [help.airthings.com](https://help.airthings.com)

Contactez notre équipe par e-mail à : [support@airthings.com](mailto:support@airthings.com)

Suivez le compte @airthings sur      [www.linktr.ee/airthings](https://www.linktr.ee/airthings)



---

## LUFTQUALITÄT IST UNSER METIER

Airthings wurde 2011 mit dem Ziel gegründet, Kunden auf der ganzen Welt dabei zu helfen, die Kontrolle über die Luft zu erlangen, die sie zu Hause atmen. Wir fertigen zahlreiche Radon- und Luftqualitätsmonitore für den Innenbereich, mit denen Hausbesitzer die Möglichkeit erhalten, das Unsichtbare sichtbar zu machen und sich einen Überblick über die Zusammensetzung der Raumlufte zu verschaffen.

Beim Renew handelt es sich um einen Luftreiniger, der speziell für den Einsatz in Schlafzimmern entwickelt wurde. Gesunder Schlaf ist für Gesundheit und Wohlbefinden unerlässlich. Während der Nacht repariert und erneuert sich Ihr Körper, sodass Sie am nächsten Morgen erfrischt und voller Energie aufwachen. Der Renew ist extrem leise und ist mit einem hochpräzisen Partikelsensor ausgestattet, der Veränderungen der Luftqualität verfolgt und sicherstellt, dass Sie stets saubere und gesunde Luft atmen.

Diese Anleitung soll die ersten Schritte bei der Nutzung Ihres Renew sicher und effektiv gestalten. Zusätzliche Informationen oder Hilfe finden Sie in unserer Knowledgebase unter [help.airthings.com](https://help.airthings.com) oder indem Sie sich unter [support@airthings.com](mailto:support@airthings.com) an unser Team wenden.

# INHALT

<b>Wichtige Sicherheitshinweise</b> .....	48
<b>In dieser Anleitung verwendete Begriffe</b> .....	52
<b>Ihr Renew Luftreiniger</b> .....	53
<b>Erste Schritte</b> .....	54
Schnellstartanleitung .....	54
So nutzen Sie den Renew optimal .....	55
Wandmontage des Renew .....	56
Auto-Modus für den Betrieb ohne Benutzereingriff .....	57
Lüftersicherheitsfunktion .....	57
<b>Verwendung des Bedienfelds</b> .....	58
<b>Wartung des Renew</b> .....	60
Filterwechsel .....	60
Reinigung .....	61
<b>Energieeffizienz</b> .....	62
<b>Garantie</b> .....	62
<b>Entsorgung</b> .....	63
<b>Rechtliche Informationen</b> .....	64
<b>Konformitätserklärung des Lieferanten</b> .....	67

# WICHTIGE SICHERHEITSHINWEISE

**Lesen Sie diese Anleitung und bewahren Sie sie auf.**

## **GEFAHR – Zur Verringerung des Risikos von Bränden, Stromschlägen oder Verletzungen**

Beenden Sie im Falle einer Fehlfunktion (Funkenbildung, Brandgeruch usw.) den Betrieb unmittelbar, ziehen Sie das Netzkabel und wenden Sie sich an den Kundendienst von Airthings.

- Lagern oder verwenden Sie weder Benzin noch andere brennbare Gase und Flüssigkeiten in der Nähe dieses Geräts oder anderer Geräte.
- **WARNUNG:** Der Lüfter darf nicht mit einem elektronischen Drehzahlregler gekoppelt werden.
- Sorgen Sie dafür, dass weder Wasser noch andere flüssige oder brennbare Reinigungsmittel in das Gerät eindringen.
- Sollte das Gerät in Wasser gefallen sein, versuchen Sie nicht, dieses mit der Hand herauszuholen. Ziehen Sie unverzüglich den Netzstecker.
- Platzieren oder lagern Sie das Gerät nicht an Orten, an denen es herunterfallen oder in eine Badewanne oder ein Waschbecken gezogen werden kann.
- Tauchen Sie das Gerät nicht in Wasser oder andere Flüssigkeiten ein.
- **WARNUNG:** Verwenden Sie ausschließlich vom Hersteller empfohlen Ersatzteile (z. B. dürfen keine zu Hause mit einem 3D-Drucker hergestellten Teile verwendet werden).
- Kinder unter acht Jahren sollten von dem Gerät ferngehalten oder ständig beaufsichtigt werden. Halten Sie sämtliche Verpackungsmaterialien von Kindern fern.
- Dieses Gerät kann von Kindern ab acht Jahren und Personen mit eingeschränkten körperlichen, sensorischen oder geistigen Fähigkeiten oder einem Mangel an Erfahrung und Wissen verwendet werden, sofern sie beaufsichtigt oder in die sichere Verwendung des Geräts eingewiesen wurden und sich der damit verbundenen Gefahren bewusst sind. Kinder dürfen nicht mit dem Gerät spielen. Reinigung und anwenderseitige Wartung dürfen nicht von unbeaufsichtigten Kindern durchgeführt werden.

## **WARNUNG – Zur Vermeidung von Beschädigungen des Produkts und Verletzungen**

- Zur Vermeidung von Bränden oder Stromschlägen dürfen die Kontaktstifte des Netzkabels weder gekürzt noch entfernt oder überbrückt werden.
- Beenden Sie im Falle einer Fehlfunktion (Funkenbildung, Brandgeruch usw.) den Betrieb unmittelbar, ziehen Sie das Netzkabel und wenden Sie sich an den Verkäufer bzw. Importeur.
- Dieses Gerät kann ohne Änderungen an einer Stromquelle mit 100–240 V und 50–60 Hz betrieben werden.
- Verwenden Sie weder Verlängerungskabel noch Adapterstecker.
- Halten Sie das Kabel von heißen Oberflächen fern.
- Betreiben Sie das Gerät nicht, wenn das Kabel oder der Stecker beschädigt ist, der Luftreiniger eine Fehlfunktion aufweist oder fallengelassen bzw. auf andere Weise beschädigt wurde. Wenden Sie sich an den Kundendienst von Airthings.
- Das Netzkabel darf nicht eingeklemmt, geknickt oder verknotet werden. Zerschneiden oder beschädigen Sie das Netzkabel nicht. Im Falle einer Beschädigung des Netzkabels: Wenden Sie sich an den Kundendienst von Airthings.
- Gewährleisten Sie einen Mindestabstand von 30 cm zwischen dem Gerät und anderen elektrischen/elektronischen Geräten.
- Beenden Sie den Betrieb des Geräts nicht, indem Sie das Netzkabel ziehen oder die Sicherung trennen.
- Wenn dieses Gerät in den USA erworben wurde, ist es mit einem verpolungssicheren Stecker ausgestattet. (Ein Kontaktstift ist breiter als der andere.) Zur Verringerung des Stromschlagrisikos kann der Stecker nur in einer Richtung mit einer verpolungssicheren Steckdose verbunden werden. Drehen Sie den Stecker um, wenn sich dieser nicht vollständig einstecken lässt. Wenden Sie sich an einen qualifizierten Elektriker, wenn der Stecker weiterhin nicht passt.  
VORSICHT: Versuchen Sie KEINESFALLS, dieses Sicherheitsmerkmal zu umgehen. Andernfalls besteht Stromschlaggefahr.

## VORSICHT – Zur Gewährleistung der Betriebssicherheit des Geräts

- Verwenden Sie das Gerät nicht im Freien. Dieses Produkt ist ausschließlich für den Gebrauch in Innenräumen vorgesehen.
- Verwenden Sie das Gerät nicht in Räumen mit hoher Luftfeuchtigkeit wie Badezimmern oder Waschküchen.
- Neigen oder bewegen Sie das Gerät im Betrieb nicht. Schalten Sie das Gerät aus und ziehen Sie den Netzstecker, bevor Sie es bewegen.
- Trennen Sie das Gerät bei längerer Nichtverwendung von der Stromquelle.
- Halten Sie einen Mindestabstand von 1 m zwischen dem Gerät und Wärmequellen wie Öfen, Heizkörpern oder Heizungen ein.
- Der Luftstrom darf nicht auf Kamine, Kerzen oder sonstige offene Flammen gerichtet werden. Dies kann ein Aufflammen zur Folge haben.
- Betreiben Sie das Gerät nur mit den mitgelieferten bzw. für dieses Gerät vorgesehenen Luftfiltern.
- Blockieren oder bedecken Sie den Einlassbereich, den Auslassbereich und die Auslassöffnungen nicht. Betreiben Sie das Gerät nicht auf weichen Oberflächen wie einem Bett, wo die Öffnungen blockiert werden können.
- Stellen Sie bei der Verwendung des Wandhakens sicher, dass dieser sicher befestigt ist. Platzieren Sie keine Gegenstände auf wandmontierten Geräten. Halten Sie das Wandgerät und das Netzkabel aus der Reichweite von Kindern fern.
- Steigen Sie nicht auf das Gerät und stellen Sie keine Gegenstände darauf ab. Hängen Sie keine Gegenstände an das Gerät. Platzieren Sie keine Behälter mit Flüssigkeiten auf dem Gerät.
- Trennen Sie das Gerät stets von der Stromversorgung, bevor Sie die Filter wechseln. Berühren Sie die Lüfterflügel beim Entfernen des Filters nicht.
- Betreiben Sie das Gerät nicht mit nassen Händen.
- Führen Sie weder Finger noch Gegenstände in den Luftauslassbereich oder das obere Gitter des Geräts ein.
- Dieses Gerät enthält außer den Wechselfiltern keine vom Benutzer zu wartenden Komponenten. Wenden Sie sich an den Kundendienst von Airthings, wenn Sie vermuten, dass das Gerät defekt ist.
- Verlegen Sie Kabel nicht unter Teppichen, Vorlegern, Läufern, Möbeln oder Haushaltsgeräten. Dies stellt eine Stolpergefahr dar.

- Halten Sie sich nicht an einem wandmontierten Luftreiniger fest, klettern Sie nicht darauf, ziehen Sie nicht am Netzkabel und stellen Sie keine Gegenstände auf das Gerät.

**VERWENDEN SIE DIESEN LUFTREINIGER AUSSCHLIESSLICH FÜR DEN IN DIESEM HANDBUCH ERLÄUTERTEN VERWENDUNGSZWECK. JEDE ANDERWEITIGE, NICHT VOM HERSTELLER EMPFOHLENE VERWENDUNG KANN BRÄNDE, STROMSCHLÄGE ODER VERLETZUNGEN ZUR FOLGE HABEN.**

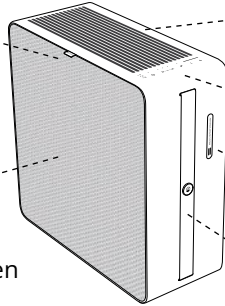
# IN DIESER ANLEITUNG VERWENDETE BEGRIFFE

- CADR:** „Clean Air Delivery Rate“ oder CADR gibt die Menge an sauberer Luft an, die pro Minute erzeugt wird, und bezeichnet damit die Wirksamkeit des Luftreinigers.
- dB (A):** Dezibel ist die Einheit zur Angabe des Schallpegels. Beispielsweise gelten 25 dB in der Regel als Flüster- oder Bibliothekslautstärke.
- HEPA-13:** HEPA (High Efficiency Particulate Air) ist ein Standard zur Angabe der Effizienz eines Luftfilters bei der Entfernung von Schwebstoffen. HEPA-13-Filter sind für den Einsatz im medizinischen Bereich geeignet. Es werden 99,97 % der Partikel mit einem Durchmesser von mehr als 0,3 Mikrometern entfernt. Dazu gehören Pollen, Schimmelpilzsporen, Bakterien, Viren und andere Schwebstoffe.
- Vorfilter:** Vorfilter entfernen größere Partikel, bevor die Luft durch den HEPA-13-Filter geleitet wird. Der Renew ist mit zwei Vorfiltern ausgestattet: einem äußeren Textilvorfilter und einem inneren Gittervorfilter. Beide können gereinigt werden und tragen zur Verlängerung der Lebensdauer des HEPA-13-Filters bei.
- Aktivkohle:** Diese Filter werden mitunter auch als Aktivkohlefilter bezeichnet und entfernen Gase und Gerüche mithilfe von Aktivkohlepellets aus der Luft. Diese Filter dienen unter anderem dazu, Gerüche zu beseitigen, die durch Haustiere, Kochen und Rauchen verursacht werden.
- PM<sub>2,5</sub>:** Hierbei handelt es sich um Bezeichnungen, die die Arten von Feinstaub (Particulate Matter, PM) anhand ihres maximalen Durchmessers in Mikrometern ( $\mu$ ) angeben. Alle diese Partikel können eingeatmet werden, jedoch sind PM<sub>2,5</sub>-Partikel so klein, dass sie nicht nur in die Lunge, sondern auch in den Blutkreislauf gelangen können. Langfristige Exposition gegenüber Luft mit hohen PM<sub>2,5</sub>-Werten wurde mit zahlreichen schwerwiegenden langfristigen gesundheitlichen Folgen wie Herz- und Lungenerkrankungen in Verbindung gebracht. Der hochpräzise PM-Sensor des Renew misst die Partikelkonzentration in der Raumluft und meldet PM<sub>2,5</sub>-Werte in der Airthings-App. Die Angabe erfolgt dort in Mikrometern pro Kubikmeter Luft ( $\mu/m^3$ ).

# IHR RENEW LUFTREINIGER

**Lasche ziehen zum Entfernen der Frontblende**

**Frontblende**  
Lufteinlass/Textilvorfilter – nicht blockieren – mindestens 20 cm Abstand lassen



**Luftauslassgitter**  
Nicht blockieren - mindestens 20 cm Abstand lassen

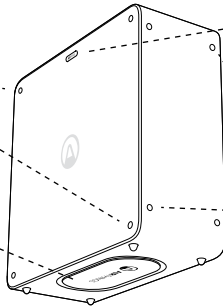
**Bedienfeld**

**Luftqualitätssensor**  
Nicht blockieren - mindestens 20 cm Abstand lassen

**Trageriemen**  
Nur zum Tragen

**FüÙe zum Aufstellen auf der Rückseite**

**Netzkabelfach**  
Abnehmbare Abdeckung

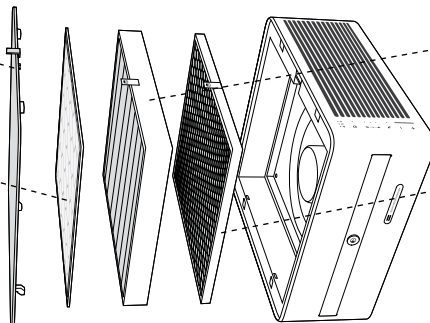


**Öffnung für Wandhaken**  
Zur Wandmontage

**FüÙe zum Aufstellen auf der Seite**

**Frontblende (Textilvorfilter)**  
Durch vorsichtiges Absaugen reinigen

**Gittervorfilter**  
Mit milder Seife und Wasser reinigen



**HEPA-13 Filter**  
Austauschbar - nicht reinigen

**Aktivkohlefilter**  
Austauschbar - nicht reinigen

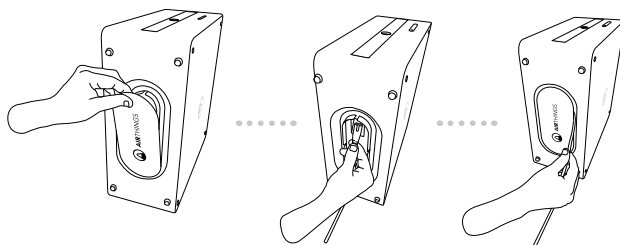
# ERSTE SCHRITTE

Entnehmen Sie den Renew und das Netzkabel aus der Verpackung. Platzieren Sie das Gerät mit dem Bedienfeld nach oben auf dem Boden.

## Schnellstartanleitung

**SCHRITT 1.** Anschließen des Netzkabels an das Gerät.

Legen Sie den Renew vorsichtig auf die Seite, damit Sie Zugang zum Kabelfach auf der Unterseite erhalten. Entfernen Sie die Abdeckung des Fachs und schließen Sie das Netzkabel an. Wickeln Sie unter Berücksichtigung der Lage der Steckdose und der Platzierung des Geräts das überschüssige Kabel im Fach auf, nachdem die Abdeckung wieder angebracht wurde.



**SCHRITT 2.** Herstellen der Stromversorgung

Schließen Sie das Netzkabel an eine Steckdose mit AC 120 V (USA) oder AC 220–240 V (EU/UK) an. Das Gerät wird im Auto-Modus gestartet und der Luftqualitätssensor beginnt mit der Luftprobenahme.

**SCHRITT 3.** Herstellen einer WLAN-Verbindung

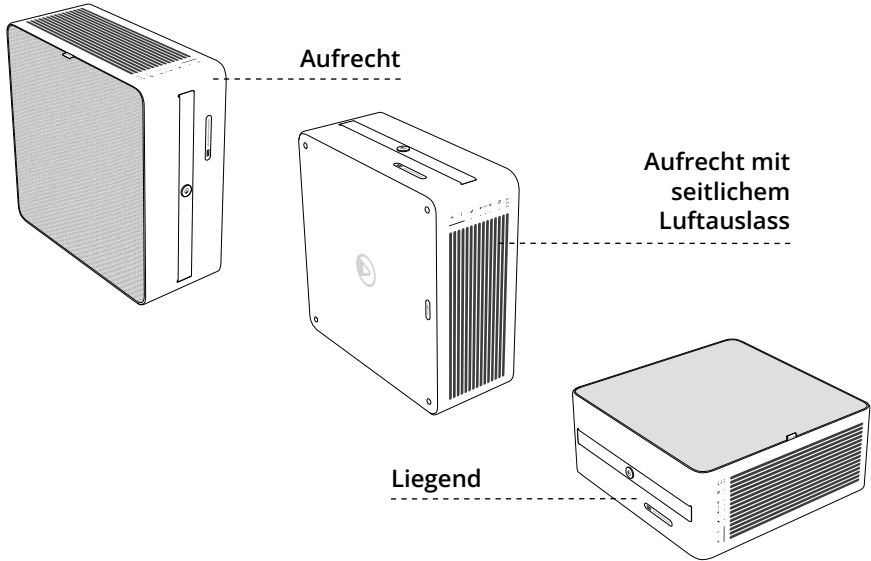
Laden Sie die Airthings-App herunter. Anschließend können Sie anhand der Anweisungen ein Konto erstellen, eine Verbindung zu Ihrem WLAN herstellen und den Renew zu Ihrem Konto hinzuzufügen. Wenn Sie bereits ein Airthings-Konto haben, tippen Sie hierzu auf „Gerät hinzufügen“. Das ist schon alles.

So trennen Sie die WLAN-Verbindung mithilfe der App: Wählen Sie auf der Startseite der App „Einstellungen“ sowie anschließend „Geräte“ und dann „Renew“ aus. Tippen Sie auf die Einstellung „Verbindung“ und deaktivieren Sie „WLAN“. Informationen zur Verwendung des Bedienfelds des Geräts finden Sie unter „Trennen vom WLAN“ im Abschnitt „Verwenden des Bedienfelds“ dieser Anleitung.

**Hinweis:** Für die WLAN-Verbindung benötigt der Renew einen Router mit 2,4-GHz-Band sowie die Airthings-App. Die Anforderungen für die Airthings-App finden Sie im App Store und bei Google Play.

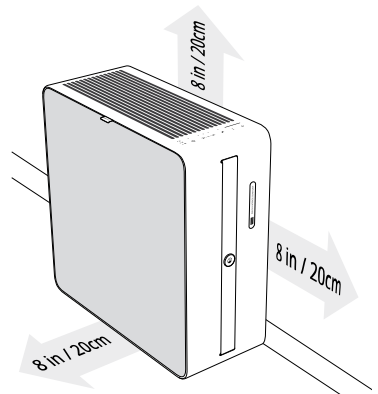
# So nutzen Sie den Renew optimal

Der Renew lässt sich problemlos in Ihre Umgebung einfügen und auf unterschiedliche Arten platzieren.



Eine optimale Leistung erzielen Sie hierbei, wenn Sie folgende Empfehlungen berücksichtigen.

- Platzieren Sie das Gerät auf einer ebenen und stabilen Oberfläche.
- Platzieren Sie keine Gegenstände auf dem Renew.
- Der Renew saugt Luft durch den Textilvorfilter an und bläst sie durch die Lüftungsöffnung neben dem Bedienfeld aus. Sorgen Sie dafür, dass mindestens 20 cm Freiraum vorhanden sind, damit die Luft ungehindert ein- und austreten kann.
- Blockieren Sie den Luftstrom zum Partikelsensor nicht. Lassen Sie mindestens 20 cm Freiraum um die Sensoröffnung.
- Die schnellsten Ergebnisse und den effizientesten Betrieb erzielen Sie, wenn der Renew in einem geschlossenen Raum betrieben wird.



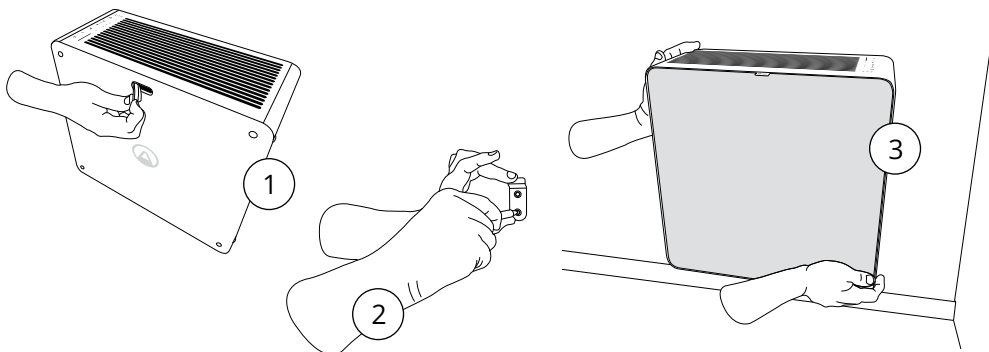
## Wandmontage des Renew

**WICHTIGER HINWEIS:** Stellen Sie sicher, dass Sie Schrauben, Bohrer und Dübel verwenden, die für das Material der Wand und das Gewicht des Geräts (6 kg) geeignet sind. Der Wandhaken muss unbedingt ordnungsgemäß angebracht werden. Dies liegt in Ihrer Verantwortung. Wenn Sie Hilfe benötigen oder unsicher sind, wenden Sie sich bitte an einen Auftragnehmer. Wir übernehmen keine Haftung in Zusammenhang mit der Aufhängung des Renew. Dies betrifft u. a. Beschädigungen oder Verletzungen, die sich aus fehlerhaftem Zusammenbau bzw. fehlerhafter Montage oder Verwendung ergeben, sowie die Haftung aufgrund des Herunterfallens des Geräts oder des Lösens des Hakens von der Wand.

Der Renew kann mit dem mitgelieferten Wandhaken an der Wand befestigt werden. Auf der Rückseite des Gerätes befindet sich hierfür eine Öffnung. Das Gerät darf AUSSCHLIESSLICH mit der Textilabdeckung nach außen und den Luftauslässen und dem Bedienfeld nach oben angebracht werden. *Verwenden Sie den Trageriemen keinesfalls zum Aufhängen des Geräts, da er nicht für diesen Zweck vorgesehen ist.*

Bei der Wandmontage sollte die Unterseite nicht mehr als 30 cm Abstand zum Boden haben.

1. An der Rückseite des Renew befindet sich eine kleine, mit einer Abdeckung versehene Öffnung. Entfernen Sie diese Abdeckung und bewahren Sie sie an einem Ort auf, an dem Sie sie ggf. wiederfinden. Wir empfehlen, dieses Teil unter der Kabelfachabdeckung aufzubewahren.
2. Bringen Sie den Wandhaken mit Schrauben und anderem für das Wandmaterial geeignetem Zubehör sicher an der Wand an. Stellen Sie sicher, dass der Haken fest sitzt.
3. Hängen Sie das Gerät nun mithilfe der Öffnung an der Rückseite an den Haken.



## **Auto-Modus für den Betrieb ohne Benutzereingriff**

Sie müssen sich keine Gedanken darüber machen, wann Sie den Renew ein- und ausschalten oder wie schnell der Lüfter laufen soll. Der Renew ist mit einem hochpräzisen Lasersensor für Feinstaub (Particulate Matter, PM) ausgestattet, der die Luftqualität in Ihrem Raum überwacht. Sobald ein Anstieg des Feinstaubwerts festgestellt wird, wird die entsprechende Lüfterdrehzahl eingestellt, um zu verhindern, dass die Luftqualität zum Problem wird.

Aus diesem Grund empfehlen wir, tagsüber den Auto-Modus zu verwenden. So profitieren Sie von zuverlässig optimaler Luftqualität und vermeiden zugleich unnötigen Energieverbrauch.

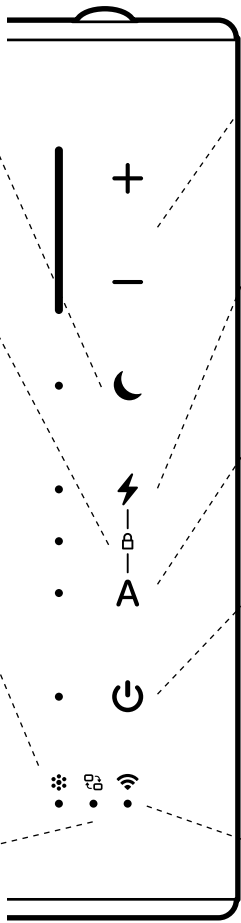
---

## **Lüftersicherheitsfunktion**

Wenn der Renew feststellt, dass sich die Lüfterdrehzahl ungewöhnlich verringert, stoppt der Motor automatisch, um weitere Schäden an den Lüfterflügeln zu verhindern. Dies ist in der Regel der Fall, wenn Gegenstände in das Luftauslassgitter gelangen.

# VERWENDUNG DES BEDIENFELDS

Das Bedienfeld besteht aus einer Reihe von Kontrollleuchten sowie Steuertasten für allgemeine Vorgänge. Über Tastenkombinationen können weitere Vorgänge ausgeführt werden, die ebenfalls hier beschrieben sind.



The diagram shows a vertical control panel with the following elements from top to bottom: a long vertical bar, a '+' sign, a '-' sign, a dot, a crescent moon, a dot, a lightning bolt, a dot, a dot, a dot, a dot, a power button, a dot, a Wi-Fi symbol, a signal strength symbol, and a filter icon. Dashed lines connect these elements to their respective descriptions.

**Silent-Modus**  
Schaltet das Gerät für acht Stunden auf die niedrigste Drehzahl und dimmt die Bedienfeldbeleuchtung.

**Kindersicherungsleuchte**  
Halten Sie die Tasten Auto und Boost drei Sekunden lang gleichzeitig gedrückt, um die Kindersicherung zu aktivieren bzw. zu deaktivieren.

**Luftqualitätsanzeige**  
Zeigt die derzeitige Raumluftqualität anhand des PM-Werts an.  
**Rot = SCHLECHT**  
(Über  $25 \mu\text{g}/\text{m}^3$ )  
**Gelb = MITTELMÄSSIG**  
( $10 \mu\text{g}/\text{m}^3$  bis  $25 \mu\text{g}/\text{m}^3$ )  
**Grün = GUT**  
(Weniger als  $10 \mu\text{g}/\text{m}^3$ )

**Filterwechselleuchte**  
Leuchtet, wenn es Zeit ist, die Filter zu wechseln.  
Die Filter können Sie ganz einfach über die Airthings-App bestellen.

**Lüfterdrehzahlregler**  
Zur manuellen Einstellung der fünf Drehzahlstufen.

**Boost-Modus**  
Schaltet das Gerät für eine Stunde auf die höchste Drehzahlstufe.

**Auto-Modus**  
Aktiviert den Automatikbetrieb. Die Lüfterdrehzahl wird anhand der aktuellen Luftqualität geregelt.

**Standby**  
Schaltet die Reinigungsfunktion ein bzw. aus. Der Luftqualitätssensor ist auch nach dem Ausschalten weiterhin in Betrieb.

**WLAN-Status**  
Leuchtet dauerhaft, wenn das Gerät per WLAN mit dem Internet verbunden ist. Ist aus, wenn keine WLAN-Verbindung vorhanden ist. Blinkt, wenn eine WLAN-Verbindung, jedoch keine Internetverbindung vorhanden ist.

Im Folgenden finden Sie zusätzliche Vorgänge, die Sie über das integrierte Bedienfeld ausführen können:

<b>Zurücksetzen der Filterwechselleuchte</b>	Nehmen Sie dies unmittelbar nach dem Filterwechsel vor. Halten Sie die Taste für den Silent-Modus fünf Sekunden lang gedrückt. Dadurch werden der Filteralgorithmus zurückgesetzt und die Filterwechselleuchte deaktiviert.
<b>Deaktivieren der Tastentöne</b>	Drücken Sie die Taste für den Boost-Modus fünf Sekunden lang, um die Signaltöne beim Drücken der Tasten zu deaktivieren. Wiederholen Sie diesen Vorgang, wenn Sie die Signaltöne wieder aktivieren möchten.
<b>Dimmen der LED-Leuchten auf dem Bedienfeld</b>	Die LED-Leuchten werden immer gedimmt, wenn Sie den Silent-Modus aktivieren. Sie können die Leuchten manuell für ALLE Modi dimmen, indem Sie die Taste für den Auto-Modus fünf Sekunden lang gedrückt halten. Wiederholen Sie diesen Vorgang, wenn Sie die Leuchten wieder aktivieren möchten.
<b>Zurücksetzen des Geräts auf die Werkseinstellungen</b>	Halten Sie die Tasten „+“ und „-“ zehn Sekunden lang gleichzeitig gedrückt, um das Gerät auf die Werkseinstellungen zurückzusetzen. Wenn Sie das Gerät auf die Werkseinstellungen zurücksetzen, werden alle WLAN-Verbindungen gelöscht und das Gerät kann in der App mit einem neuen Konto gekoppelt werden. Das Gerät wird in Ihrer App weiterhin angezeigt, sofern Sie es nicht löschen. Sie können jedoch keine neuen PM-Daten mehr anzeigen und nicht länger auf die intelligenten Funktionen zugreifen.

# WARTUNG DES RENEW

Der Renew kann mit minimalem Wartungsaufwand jahrelang effektiv betrieben werden. Neben dem bedarfsabhängigen Filterwechsel empfehlen wir, das Gerät sauber und frei von übermäßigen Staubansammlungen zu halten.

---

## Filterwechsel

Der Renew weist mithilfe eines intelligenten Algorithmus auf die Erforderlichkeit eines Filterwechsels hin. Dadurch wird der effiziente Betrieb bei überdurchschnittlich stark verschmutzter Luft gewährleistet. Die Filterwechselleuchte auf dem Bedienfeld leuchtet auf. Sie können die verbleibende **Filterlebensdauer** auch jederzeit in der App überprüfen.

Sie können Ersatzfilter auf [airthings.com](https://airthings.com), über die Airthings-App oder bei ausgewählten Vertragshändlern bestellen.

Gehen Sie wie folgt vor, sobald Sie die Ersatzfilter zur Hand haben:

1. Trennen Sie das Gerät von der Stromversorgung, bevor Sie die Filter wechseln.
2. Entfernen Sie die Frontblende (äußerer Textilvorfilter) sowie den inneren Gittervorfilter.
3. Entfernen Sie anschließend den alten Filter und ersetzen Sie ihn durch den neuen. Beachten Sie, dass der neue Filter mit der Zuglasche nach oben und nach außen eingesetzt werden muss.  
*Tipp: Verpacken Sie den gebrauchten Filter unmittelbar in dem Beutel, in dem der neue Filter geliefert wurde. Dadurch verhindern Sie, dass Staub und Partikel verteilt werden.*
4. Bringen Sie die Vorfilter wieder an und stecken Sie das Gerät wieder ein.
5. Setzen Sie abschließend den Filterwechselalgorithmus zurück und deaktivieren Sie die Filterwechselleuchte. Halten Sie dazu die Taste für den Silent-Modus fünf Sekunden lang gedrückt.

Berühren Sie die Lüfterflügel beim Filterwechsel nicht.

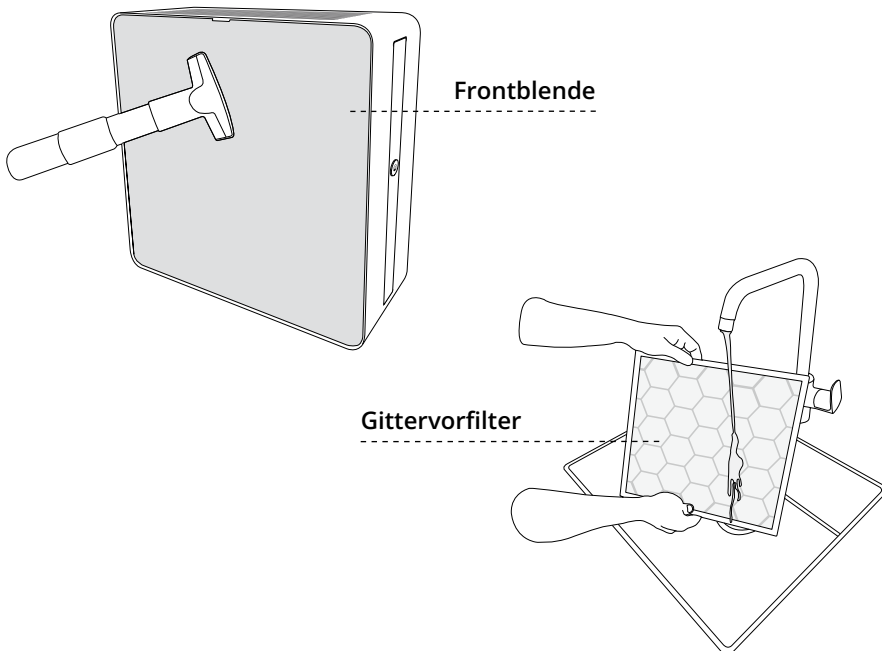
# Reinigung

Ziehen Sie den Netzstecker, bevor Sie den Renew reinigen.

Entfernen Sie Staub und Schmutz mit einem sauberen, trockenen Tuch von der Außenseite des Geräts. Verwenden Sie für den Renew keinesfalls Flüssigreiniger – verwenden Sie, wenn nötig, ausschließlich ein leicht angefeuchtetes Tuch. Es darf keinesfalls Wasser oder Feuchtigkeit in das Gerät eindringen.

Die Frontblende (und der Gittervorfilter) sollten mit einem Staubsauger auf besonders niedriger Leistung gereinigt werden. Drücken Sie nicht zu fest auf das Textil, da dieses andernfalls beschädigt werden könnte.

Der Gittervorfilter kann mit Wasser und einer geringen Menge mildem Spülmittel gereinigt werden. Am einfachsten lässt sich das mit einer Handbrause erledigen. Verwenden Sie einen sanften Wasserstrahl oder tauchen Sie den Filter ein und bewegen Sie ihn vorsichtig hin und her. Sie müssen den Gittervorfilter komplett trocknen lassen, bevor Sie ihn wieder einsetzen. Feuchtigkeit erhöht das Risiko von Schimmelbildung im Inneren des Geräts.



# ENERGIEEFFIZIENZ

Dieses Produkt trägt die ENERGY STAR-Kennzeichnung, da es die strengen Energieeffizienzrichtlinien der US-Umweltschutzbehörde EPA erfüllt. Raumluftreiniger können nachweislich die Luftqualität verbessern und gesundheitliche Vorteile bieten. Die EPA bestätigt keine Angaben des Herstellers zur Wirksamkeit bestimmter Produkte bei der Erzeugung gesünderer Raumlufte. Die Energieeffizienz dieses ENERGY STAR-zertifizierten Modells wurde anhand des Verhältnisses zwischen dem CADR des Modells für Rauch und dem Stromverbrauch (CADR/Watt) berechnet.

---

# GARANTIE

Für das erworbene Gerät gilt die Standardgarantie für Ihre Region.

# ENTSORGUNG

Das Symbol weist darauf hin, dass dieses Produkt nicht im Hausmüll entsorgt werden darf. Dieses Produkt muss an einer Recyclingstelle abgegeben oder in einem Container für Elektro- und Elektronikgeräte entsorgt werden. Hierdurch werden gesundheitliche Risiken und Umweltschäden verhindert. Unternehmen vor Ort (oder die örtliche Recyclingstelle) sind gesetzlich verpflichtet, derartige Produkte anzunehmen und zu recyceln, um eine umweltfreundliche Entsorgung zu gewährleisten.



**HINWEIS:** Entsorgen Sie den gebrauchten Filter sowie alle Kunststoffverpackungen gemäß den vor Ort geltenden Recyclingvorschriften.

# RECHTLICHE INFORMATIONEN

## Rechtliche Informationen Kanada

Änderungen oder Modifikationen, die nicht ausdrücklich von der für die Konformität verantwortlichen Stelle genehmigt wurden, können dazu führen, dass der Benutzer die Berechtigung zum Betrieb des Geräts verliert.

Dieses Gerät entspricht der Lizenz von Innovation, Science and Economic Development Canada – von RSS(s) befreit. Der Betrieb unterliegt den folgenden Bedingungen: (1) Dieses Gerät darf keine Interferenzen verursachen; und (2) dieses Gerät muss alle Interferenzen aufnehmen, einschließlich Interferenzen, die einen unerwünschten Betrieb des Geräts verursachen können.

Sicherheit bei HF-Exposition. Dieses Produkt ist ein Funksender und -empfänger. Es darf die von der ISED festgelegten Emissionsgrenzen für die Exposition mit Radiofrequenzenergie (RF) nicht überschreiten. Die Antenne muss mit einem Mindestabstand von 20 cm zwischen dem Sender und Ihrem Körper installiert und betrieben werden. Dieses

Dieser Sender darf nicht zusammen mit einer anderen Antenne oder einem anderen Sender platziert oder betrieben werden.

CAN ICES-3 (B)/NMB-3(B)

Dieses digitale Gerät der Klasse B entspricht der kanadischen Norm ICES-003

## Rechtliche Informationen USA

Änderungen oder Modifikationen, die nicht ausdrücklich von der für die Konformität verantwortlichen Stelle genehmigt wurden, können dazu führen, dass der Benutzer die Berechtigung zum Betrieb des Geräts verliert.

Dieses Gerät erfüllt die Anforderungen von Teil 15 der FCC-Bestimmungen. Der Betrieb unterliegt den folgenden zwei Bedingungen:

- (1) Dieses Gerät darf keine schädlichen Interferenzen verursachen und
- (2) dieses Gerät muss Interferenzen aufnehmen, einschließlich Interferenzen, die einen unerwünschten Betrieb verursachen können.

Gerätehinweis der Klasse B. HINWEIS: Dieses Gerät wurde getestet und entspricht den Grenzwerten für ein digitales Gerät der Klasse B gemäß Teil 15 der FCC-Vorschriften. Diese Grenzwerte sind so ausgelegt, dass sie einen angemessenen Schutz gegen schädliche Interferenzen in einer Wohnanlage bieten. Dieses Gerät erzeugt und verwendet Hochfrequenzenergie und kann diese abstrahlen. Wenn es nicht gemäß den Anweisungen installiert und

verwendet wird, kann es schädliche Interferenzen im Funkverkehr verursachen. Allerdings gibt es keine Garantie dafür, dass bei einer bestimmten Installation keine Interferenzen auftreten. Wenn dieses Gerät für Radio- oder TV-Empfang schädliche Interferenzen verursacht, die durch das Ein- und Ausschalten des Geräts festgestellt werden können, wird der Benutzer aufgefordert, die Interferenz durch eine oder mehrere der folgenden Maßnahmen zu beheben:

- Richten Sie die Empfangsantenne neu aus oder platzieren Sie diese an einem anderen Ort.
- Vergrößern Sie den Abstand zwischen Gerät und Empfänger.
- Schließen Sie das Gerät an eine andere Steckdose als die Steckdose des Empfängers an.
- Wenden Sie sich für Hilfe an den Händler oder einen erfahrenen Radio-/TV-Techniker.

Sicherheit bei HF-Exposition. Dieses Produkt ist ein Funksender und -empfänger. Es darf die von der Federal Communications Commission festgelegten Emissionsgrenzen für die Exposition mit Radiofrequenzenergie (RF) nicht überschreiten. Die Antenne muss mit einem Mindestabstand von 20 cm zwischen dem Sender und Ihrem Körper installiert und betrieben werden.

Dieser Sender darf nicht zusammen mit einer anderen Antenne oder einem anderen Sender platziert oder betrieben werden.

## **Regulatorische Informationen (EU)**

Airthings-Produkte für den Verkauf in der EU erfüllen die EU-Richtlinien. Der vollständige Text der Konformitätserklärung für die EU ist auf Anfrage an [support@airthings.com](mailto:support@airthings.com) verfügbar.

## **Regulatorische Informationen (Vereinigtes Königreich)**

Airthings-Produkte für den Verkauf im Vereinigten Königreich erfüllen die gesetzlichen Vorschriften des Vereinigten Königreichs. Der vollständige Text der Konformitätserklärung für das Vereinigte Königreich ist auf Anfrage an [support@airthings.com](mailto:support@airthings.com) verfügbar.

## Informationen zu Laserklasse 1

Klassifiziert als Laserprodukte der Klasse 1 gemäß IEC60825-1 Ed. 3. Diese Geräte entsprechen 21 CFR 1040.10 und 1040.11, mit Ausnahme der Konformität mit IEC 60825-1 Ed. 3., wie in Laserhinweis Nr. 56 vom 8. Mai 2019 beschrieben. Vorsicht:

Diese Geräte enthalten einen oder mehrere Laser. Eine andere als die in der Bedienungsanleitung beschriebene Verwendung, Reparatur oder Demontage kann Schäden verursachen, die zu einer gefährlichen Exposition gegenüber nicht sichtbaren Infrarot-Laseremissionen führen können. Dieses Gerät sollte von Airthings oder einem autorisierten Serviceanbieter gewartet werden.

## ISM-Frequenzbänder und Ausgangsleistung

Der Frequenzbereich für Bluetooth, Thread und 802.11b/g/n-WLAN liegt zwischen 2400,0 und 2483,5 MHz. Die Ausgangsleistung für Bluetooth beträgt < 10 mW.

Die Ausgangsleistung für 802.11b/g/n-WLAN beträgt < 100 mW.

# KONFORMITÄTSERKLÄRUNG DES LIEFERANTEN

Folgende Dokumente sind auf Anfrage erhältlich:

- UL STD-507-konform
- Zertifiziert gemäß CSA STD.C22.2 No.113
- Konformitätserklärung des US-Lieferanten gemäß FCC Teil 15B
- Konformitätserklärung des kanadischen Lieferanten gemäß ICES-003
- LVD-/RED-/ROHS-konform
- Konformitätserklärung für die EU/das Vereinigte Königreich gemäß CE/UKCA



---

## Weitere Hilfe erforderlich?

Technische Artikel finden Sie unter [help.airthings.com](https://help.airthings.com)

Unseren Kundendienst erreichen Sie unter [support@airthings.com](mailto:support@airthings.com)

Folgen Sie @airthings bei      [www.linktr.ee/airthings](https://www.linktr.ee/airthings)



---

## LA CALIDAD DEL AIRE QUE RESPIRAMOS ES VITAL

En 2021, se creó Airthings con la finalidad de ayudar a las personas a tomar el control del aire que respiran en casa. Fabricamos una gama de monitores de calidad del aire y de gas radón para interiores que permiten ver lo invisible y comprender qué hay realmente en el aire.

Renew es nuestro purificador de aire, especialmente diseñado para su uso en dormitorios. Un sueño profundo es esencial para la salud y el bienestar. Durante la noche, su cuerpo se repara y se renueva, restaurando la energía y ayudándole a despertarse como nuevo a la mañana siguiente. Renew es ultrasilencioso e integra un sensor de partículas de alta precisión para rastrear los cambios en la calidad del aire y garantizar que siempre respire aire limpio y saludable.

Con esta guía, podrá empezar a utilizar Renew de forma segura y efectiva. Si necesita información adicional o ayuda, consulte nuestra base de conocimientos en línea en [help.airthings.com](https://help.airthings.com) o póngase en contacto con nuestro equipo por correo electrónico escribiendo a [support@airthings.com](mailto:support@airthings.com).

# CONTENIDO

<b>Información importante sobre seguridad</b> .....	70
<b>Términos utilizados en esta guía</b> .....	74
<b>Su purificador de aire Renew</b> .....	75
<b>Primeros pasos</b> .....	76
Guía de inicio rápido .....	76
Cómo sacar el máximo partido de su Renew .....	77
Montaje de Renew en una pared .....	78
Configúrela con el modo automático y olvídense .....	79
Función de seguridad para el ventilador .....	79
<b>Uso del panel de control</b> .....	80
<b>Mantenimiento de Renew</b> .....	82
Cambio de filtros .....	82
Limpieza .....	83
<b>Eficiencia energética</b> .....	84
<b>Garantía</b> .....	84
<b>Gestión de residuos</b> .....	85
<b>Información reglamentaria</b> .....	86
<b>Declaración de conformidad del proveedor</b> .....	89

# INFORMACIÓN IMPORTANTE SOBRE SEGURIDAD

**Lea y guarde estas instrucciones.**

## **PELIGRO – Para reducir el riesgo de incendio, descarga eléctrica o lesiones a las personas**

En caso de un mal funcionamiento (chispas, olor a quemado, etc.), detenga inmediatamente el aparato, desconecte el cable de alimentación y póngase en contacto con el servicio de atención al cliente de Airthings.

- No almacene ni utilice gasolina u otros líquidos y vapores inflamables cerca de este o cualquier otro aparato.
- ADVERTENCIA: No utilice este ventilador con un dispositivo de control de velocidad de estado sólido.
- Evite que entre agua o cualquier otro líquido o detergente inflamable en la unidad.
- No intente coger una unidad que se haya caído al agua. Desconéctela inmediatamente.
- No coloque ni almacene la unidad donde pueda caerse o ser empujada a una bañera o fregadero.
- No la coloque ni la deje caer en agua u otro líquido.
- ADVERTENCIA: No utilice piezas de repuesto que no hayan sido recomendadas por el fabricante (p. ej., piezas hechas en casa con una impresora 3D).
- Mantenga alejados del aparato a los niños menores de 8 años a menos que estén bajo supervisión continua. Mantenga todos los embalajes fuera del alcance de los niños.
- Los niños a partir de 8 años y las personas con discapacidades físicas, sensoriales o mentales o sin experiencia ni conocimiento pueden utilizar este aparato bajo supervisión si reciben instrucciones sobre el uso seguro del aparato y comprenden los riesgos asociados. Los niños no deben jugar con el aparato. La limpieza y el mantenimiento del usuario no deben ser realizados por niños sin supervisión.

## **ADVERTENCIA – Para evitar daños en el producto o lesiones personales**

- Para evitar riesgos de incendio o descargas eléctricas, no corte, retire ni desvíe ninguna clavija del cable de alimentación.
- En caso de un mal funcionamiento (chispas, olor a quemado, etc.), detenga inmediatamente el aparato, desconecte el cable de alimentación y póngase en contacto con el establecimiento donde lo adquirió o con el importador.
- Este aparato se puede utilizar con una fuente de alimentación de 100-240 V, 50-60 Hz sin ninguna modificación.
- No utilice un cable de extensión ni un enchufe adaptador.
- Mantenga el cable alejado de superficies calientes.
- No utilice la unidad con un cable o enchufe dañado, o después de un problema de funcionamiento del purificador de aire, o se haya caído o dañado de alguna manera. Póngase en contacto con el servicio de atención al cliente de Airthings.
- No pellizque, doble ni anude el cable de alimentación. No corte ni dañe el cable de alimentación. Si el cable de alimentación está dañado. Póngase en contacto con el servicio de atención al cliente de Airthings.
- Asegúrese de que cualquier equipo eléctrico/electrónico esté a una distancia de 30 cm (12 pulgadas) de la unidad.
- No detenga la unidad desenchufando el cable de alimentación o cortando la corriente desde el cuadro eléctrico.
- Si se ha adquirido en los EE. UU., este aparato dispone de un enchufe polarizado (una clavija es más ancha que la otra). Para reducir el riesgo de descarga eléctrica, este enchufe está diseñado para encajar de una sola manera en una toma de corriente polarizada. Si el enchufe no encaja completamente en la toma de corriente, invierta el enchufe. Si aún así no encaja, póngase en contacto con un electricista cualificado.  
**PRECAUCIÓN: NO intente anular esta función de seguridad porque podría provocar un riesgo de descarga eléctrica.**

## **PRECAUCIÓN – Para utilizar el aparato de forma segura**

- No lo utilice en exteriores. Este producto está diseñado exclusivamente para su uso doméstico en interiores.
- No lo utilice en habitaciones con mucha humedad, como baños o lavaderos.
- No incline ni mueva la unidad mientras esté en funcionamiento. Apague y desconecte la unidad antes de moverla.
- Desconecte la unidad de la fuente de alimentación cuando no la utilice durante un período de tiempo prolongado.
- Mantenga la unidad a una distancia mínima de 1 m (3,5 pies) de fuentes de calor como estufas, radiadores o calentadores.
- No dirija el flujo de aire hacia chimeneas, velas u otras fuentes de flamas porque podría provocar llamaradas.
- Utilice la unidad solo con los filtros de aire instalados o diseñados específicamente.
- No bloquee ni cubra el área de entrada, el área de descarga ni los puertos de salida. No la utilice sobre superficies blandas, como una cama, donde las aberturas podrían bloquearse.
- Cuando utilice el gancho para colgar la unidad en la pared, asegúrese de que esté bien fijado. No coloque ningún objeto encima de una unidad montada en la pared. Mantenga la unidad montada en la pared y su cable de alimentación fuera del alcance de los niños.
- No se suba ni coloque objetos sobre la unidad. No cuelgue objetos de la unidad. No coloque recipientes con líquidos sobre la unidad.
- Desconecte siempre la unidad antes de cambiar los filtros. No intente tocar las aspas del ventilador cuando retire el filtro.
- No manipule la unidad con las manos mojadas.
- No inserte los dedos ni objetos en el área de descarga de aire o en la rejilla superior de la unidad.
- Esta unidad no contiene ninguna pieza que el usuario pueda reparar excepto los filtros reemplazables. Si sospecha que la unidad es defectuosa, póngase en contacto con el servicio de atención al cliente de Airthings.
- No pase cables debajo de alfombras, alfombrillas, corredores, muebles ni electrodomésticos para evitar el riesgo de tropezar.

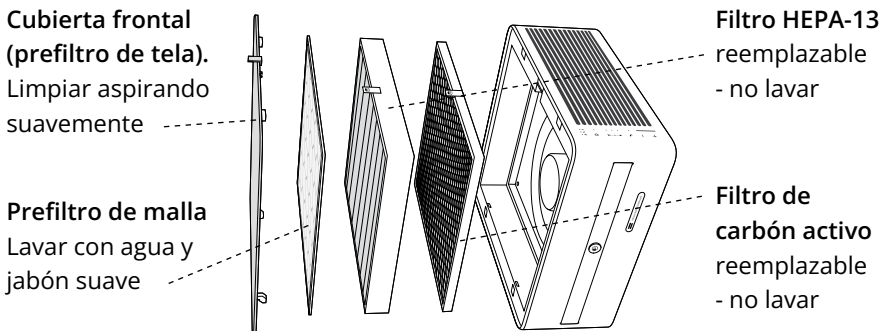
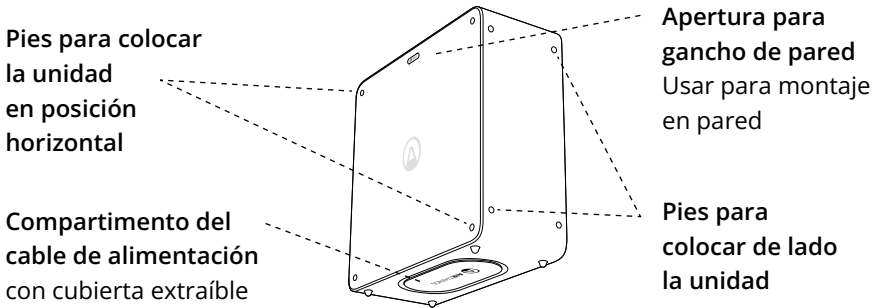
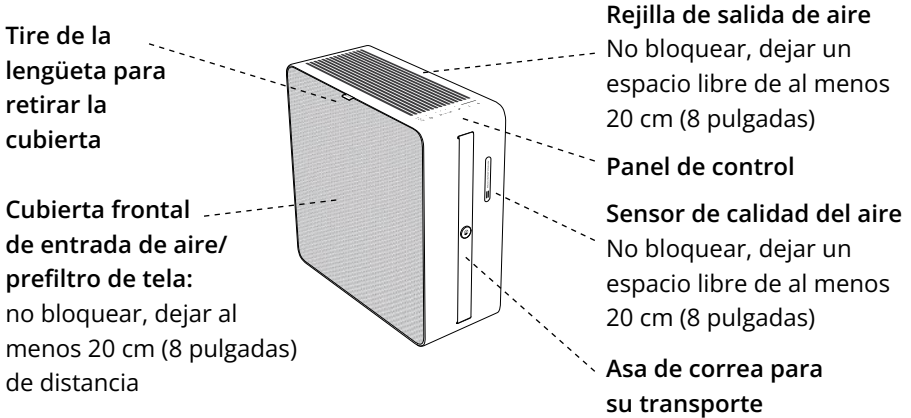
- No se cuelgue ni se suba sobre la unidad, no tire del cable de alimentación ni coloque ningún objeto encima de un purificador de aire montado en la pared.

**UTILICE ESTE PURIFICADOR DE AIRE SOLO PARA SU USO PREVISTO COMO SE DESCRIBE EN ESTE MANUAL. CUALQUIER OTRO USO NO RECOMENDADO POR EL FABRICANTE PUEDE PROVOCAR UN INCENDIO, UNA DESCARGA ELÉCTRICA O LESIONES A LAS PERSONAS.**

# TÉRMINOS UTILIZADOS EN ESTA GUÍA

- CADR:** es el acrónimo de «Clean Air Delivery Rate» (tasa de entrega de aire limpio), el cual describe la efectividad del purificador de aire en función del volumen de aire limpio producido por minuto.
- dB (A):** los decibelios son las unidades que miden la intensidad del sonido. Por ejemplo, 25 dB se describe por lo general como un «susurro» o «silencio de biblioteca».
- HEPA-13:** es el acrónimo de «High-Efficiency Particulate Air» (filtro de partículas en el aire de alta eficiencia), que es una norma para designar la eficiencia de un filtro de aire para eliminar partículas. Los filtros HEPA-13 proporcionan filtrado de partículas de grado médico, ya que eliminan el 99,97 % de las partículas de más de 0,2 micras de diámetro. Estas incluyen el polen, las esporas de moho, las bacterias, los virus y otras partículas finas.
- Prefiltro:** un prefiltro elimina las partículas de mayor tamaño antes de que el aire pase por el filtro HEPA-13. Renew cuenta con dos prefiltros: un prefiltro exterior de tela de audio y un prefiltro interior de malla. Ambos pueden limpiarse y ayudan a prolongar la vida útil del filtro HEPA-13.
- Carbón activado:** a veces denominado filtros de carbón; estos filtros utilizan gránulos de carbón activado que absorben y atrapan gases y olores del aire. Entre muchas otras cosas, este filtro ayuda a tratar los olores procedentes de mascotas, la cocina y el tabaco.
- PM<sub>2,5</sub>:** estas son designaciones que describen los tipos de partículas en suspensión (PM, por sus siglas en inglés) en el aire con respecto a su diámetro máximo medido en micras ( $\mu$ ). Todas ellas se pueden inhalar, pero las partículas PM<sub>2,5</sub> se caracterizan porque son lo suficientemente pequeñas no solo para entrar en los pulmones, sino también el torrente sanguíneo. Una exposición a largo plazo a aire con elevados niveles de PM<sub>2,5</sub> se ha relacionado con diversos efectos para la salud a largo plazo, incluidas enfermedades pulmonares y cardíacas. El sensor de PM de alta precisión de Renew mide la concentración de partículas en el aire de la habitación e informa sobre los niveles de PM<sub>2,5</sub> en la aplicación Airthings en micras por metro cúbico de aire ( $\mu/m^3$ ).

# SU PURIFICADOR DE AIRE RENEW



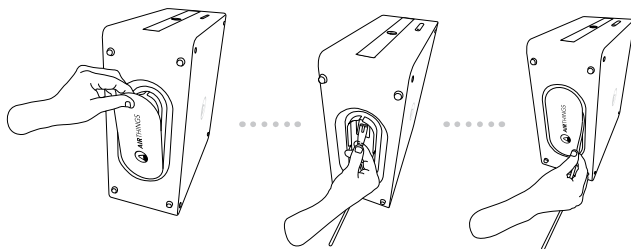
# PRIMEROS PASOS

Saque Renew y el cable de alimentación de la caja. Coloque la unidad en el suelo con el panel de control hacia arriba.

## Guía de inicio rápido

**PASO 1.** Conecte el cable de alimentación a la unidad.

Coloque Renew sobre un lado para poder acceder al compartimento de almacenamiento del cable situado en la parte inferior. Retire la cubierta del compartimento y conecte el cable de alimentación. Teniendo en cuenta la ubicación de la toma de corriente y la colocación de la unidad, enrolle el exceso de cable en el compartimento después de volver a colocar la cubierta.



**PASO 2.** Conecte la unidad a la alimentación

Conecte el cable de alimentación a una toma de corriente de AC 120 V (EE. UU.) AC 220-240 V (UE/Reino Unido). La unidad entra en modo Auto y el sensor de calidad del aire empieza a tomar muestras del aire.

**PASO 3.** Conecte la unidad a una red WiFi

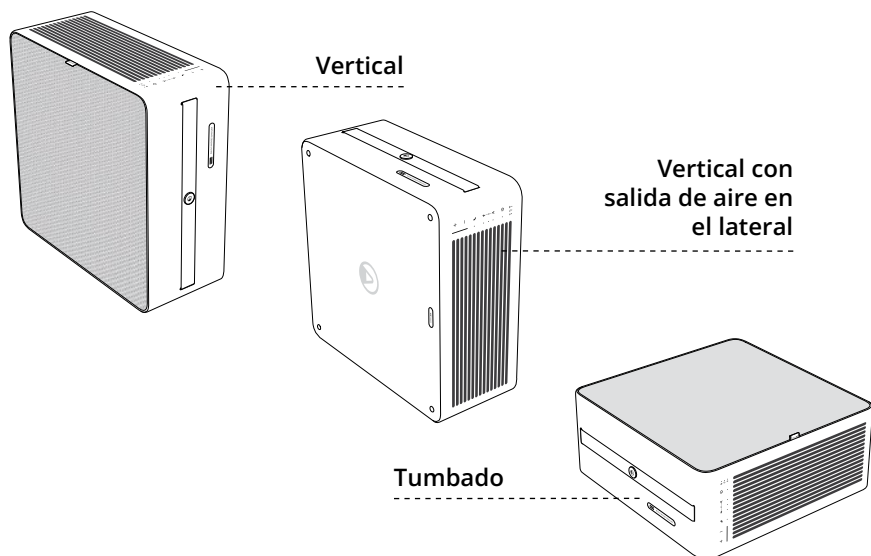
Descargue la aplicación Airthings y siga las instrucciones para crear una cuenta, conectarse a su WiFi y añadir Renew a su cuenta. Si ya tiene una cuenta de Airthings, solo tiene que seleccionar Añadir dispositivo para añadir Renew.

Para desconectarse de la WiFi mediante la aplicación: desde la página de inicio de la aplicación, seleccione Configuración, a continuación, Dispositivos y, finalmente, Renew. Vaya a la configuración de conectividad y desactive la WiFi. Para utilizar el panel de control de la unidad, consulte las instrucciones para «Desconectarse de la WiFi» en la sección Uso del panel de control de esta guía.

**Nota:** Para la conectividad WiFi, Renew requiere un router de banda de 2,4 GHz y la aplicación Airthings. Los requisitos de la aplicación Airthings se pueden consultar en App Store y Google Play.

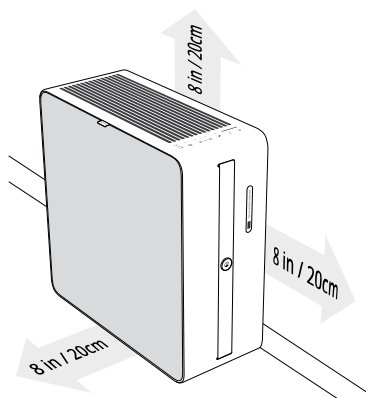
## Cómo sacar el máximo partido de su Renew

Renew presenta un diseño que se adapta fácilmente a su entorno, con varias opciones de colocación.



Independientemente de cómo elija colocar Renew en su habitación, le sugerimos que tenga en cuenta las siguientes recomendaciones para maximizar su rendimiento.

- Coloque la unidad únicamente sobre una superficie nivelada y estable.
- No coloque ningún objeto encima de Renew.
- Renew aspira aire a través de la cubierta de tela y lo expulsa a través de la superficie ventilada situada junto al panel de control. Asegúrese de dejar un espacio libre de al menos de 20 cm (8 pulgadas) para que el aire pueda entrar y salir de Renew libremente.
- No bloquee el flujo de aire hacia el sensor de partículas. Deje al menos 20 cm (8 pulgadas) alrededor de la abertura del sensor.
- Utilice Renew en un espacio cerrado para obtener resultados más rápidamente y garantizar su funcionamiento eficiente.



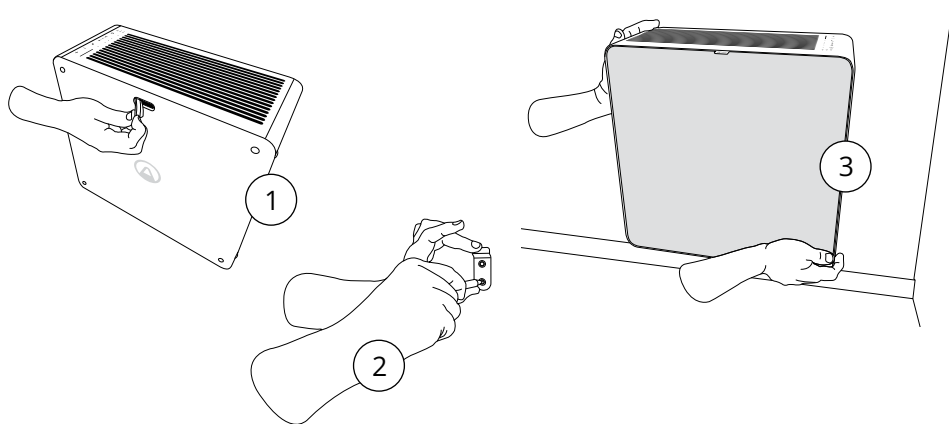
## Montaje de Renew en una pared

**NOTA IMPORTANTE:** Asegúrese de utilizar tornillos, brocas y accesorios que sean adecuados para el tipo de material de la pared y el peso de la unidad (13,5 libras o 6 kg). La correcta instalación del gancho de pared es fundamental, y su responsabilidad. Si necesita ayuda o se le plantean dudas, póngase en contacto con un contratista. No asumimos ninguna responsabilidad asociada con la colocación de Renew, incluidos daños o lesiones resultantes de un montaje o uso incorrectos, ni tampoco si la unidad se cae o si el gancho se separa o se desprende de la pared.

Renew se puede montar en la pared utilizando el gancho de pared incluido en la caja. En la parte posterior de la unidad, hay una abertura para este fin. SOLO debe montar la unidad con la cubierta de tela hacia afuera y las salidas de aire y el panel de control hacia arriba. *Nunca utilice la correa para colgar la unidad; no está diseñada para este fin.*

Recomendamos montar la unidad en la pared con la parte inferior a no más de 30 cm (12 pulgadas) del suelo.

1. En la parte posterior de Renew, hay una pequeña abertura con cubierta. Elimine esta cubierta y guárdela en un lugar seguro que pueda recordar. Recomendamos utilizar la cubierta del compartimento de cables para guardar esta pieza.
2. Utilice tornillos y otras herramientas adecuadas para el material de la pared, fije el gancho de forma segura a la pared. Asegúrese de que el gancho esté firmemente fijado.
3. Ahora, cuelgue la unidad en el gancho utilizando la abertura de la parte posterior.



## **Configúrela con el modo Auto y olvídense**

No tendrá que preocuparse por encender y apagar Renew ni por cambiar la velocidad del ventilador. Hemos diseñado Renew con un sensor de partículas en suspensión (PM) de alta precisión basado en láser que controla la calidad del aire de su habitación. En cuanto detecta un aumento de PM, activa la velocidad adecuada del ventilador para evitar que la calidad del aire empeore.

Por ello, recomendamos usar el modo Auto durante el día, ya que le garantiza una excelente calidad del aire sin malgastar energía.

---

## **Función de seguridad para el ventilador**

Si Renew detecta que la velocidad del ventilador se reduce de manera anormal, el motor se detendrá automáticamente para evitar que se dañen las aspas del ventilador. Esto suele suceder si un objeto cae accidentalmente o entra en la rejilla de salida de aire.

# USO DEL PANEL DE CONTROL

El panel consta de una fila de luces indicadoras junto a los botones de control para las operaciones más comunes. Se pueden activar operaciones adicionales mediante una combinación de botones, que también se describen aquí.

**Modo Silent:**  
se ejecuta a la velocidad más baja durante 8 horas con las luces del panel atenuadas.

**Indicador de bloqueo para niños:**  
pulse «Auto» y «Boost» a la vez durante 3 segundos para activar el bloqueo para niños o desactivarlo.

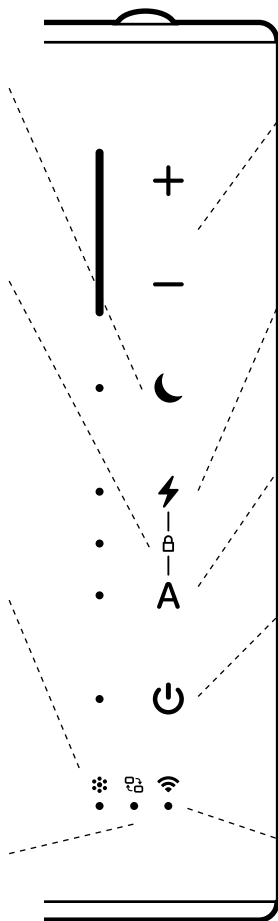
**Indicador de calidad del aire:**  
indica la calidad actual del aire de la habitación en términos del nivel de PM.

**Rojo = DEFICIENTE**  
(más de  $25 \mu\text{g}/\text{m}^3$ )

**Amarillo = MEDIA**  
( $10 \mu\text{g}/\text{m}^3$  a  $25 \mu\text{g}/\text{m}^3$ )

**Verde = ÓPTIMA**  
(Less than  $10 \mu\text{g}/\text{m}^3$ )

**Indicador de cambio de filtro:**  
se ilumina cuando toca reemplazar los filtros. Consulte la aplicación Airthings para realizar pedidos fácilmente.



**Controles de velocidad del ventilador:**  
para controlar manualmente las 5 velocidades.

**Modo Boost**  
Se ejecuta a la máxima velocidad durante una hora.

**Modo Auto**  
Configúrelo y olvídese. Ajusta la velocidad del ventilador en función de la calidad del aire actual.

**En espera**  
Activa o desactiva la función del purificador. Cuando está desactivada, el sensor de calidad del aire sigue funcionando.

**Estado de WiFi**  
Se ilumina de forma fija cuando se conecta a Internet mediante WiFi. Está apagada si no está conectada a la WiFi. Parpadea si está conectada a la WiFi, pero no hay conexión a Internet.

Estas son las operaciones adicionales que puede realizar mediante el panel de control integrado:

<b>Restablecer el indicador de cambio de filtros</b>	Realícela después de cambiar los filtros. Mantenga pulsado el botón del modo Silent durante 5 segundos para restablecer el algoritmo del filtro y apagar la luz indicadora de cambio de filtros.
<b>Apagar los pitidos del botón</b>	Pulse el botón del modo Boost durante 5 segundos para apagar los pitidos cuando se pulsan los botones. Haga lo mismo para volver a activar los pitidos.
<b>Atenuar las luces LED del panel</b>	Las luces LED siempre se atenúan cuando activa el modo Silent. Puede atenuar manualmente las luces para TODOS los modos presionando el botón del modo Auto durante 5 segundos. Haga lo mismo para volver a encender las luces.
<b>Restablecer la unidad a la configuración de fábrica</b>	Mantenga pulsados los botones + y - durante 10 segundos para restablecer el dispositivo a los valores de fábrica. Cuando restablece el dispositivo a los valores de fábrica, todas las conexiones WiFi se borran y el dispositivo está listo para vincularse con una nueva cuenta en la aplicación. El dispositivo seguirá apareciendo en su aplicación a menos que lo elimine, pero ya no podrá ver nuevos datos de PM ni acceder a la funcionalidad inteligente.

# MANTENIMIENTO DE RENEW

No tiene que hacer mucho para que su Renew siga funcionando de manera efectiva durante años. Además de cambiar los filtros cuando sea necesario, recomendamos mantener la unidad limpia y libre de exceso de polvo.

---

## Cambio de filtros

Renew le indica cuándo cambiar el filtro con base en un algoritmo inteligente. Así, se garantiza la eficiencia del filtro diario si el aire presenta unos niveles de contaminación superiores al promedio. Se iluminará el indicador de cambio de filtro en el panel de control. También puede comprobar la vida útil restante del filtro desde la aplicación en cualquier momento.

Puede realizar un pedido de filtros de repuesto en [airthings.com](https://airthings.com), en la aplicación Airthings o a distribuidores autorizados seleccionados.

Una vez que disponga de los filtros de repuesto, así es como debe proceder:

1. Desconecte el dispositivo antes de cambiar los filtros.
2. Retire la cubierta frontal de tela (prefiltro exterior) y el prefiltro interior.
3. Retire el filtro antiguo y reemplácelo por uno nuevo. Recuerde que debe insertar el nuevo filtro con la lengüeta hacia arriba y hacia fuera.  
*Consejo: meta el filtro usado directamente en la bolsa donde venía el filtro nuevo para que no se esparzan el polvo y las partículas.*
4. Vuelva a montar los prefiltros y a conectar la unidad.
5. Finalmente, reinicie el algoritmo de cambio de filtros y apague la luz **indicadora de cambio de filtros**. Para ello, mantenga pulsado el botón del modo Silent durante 5 segundos.

No intente tocar las aspas del ventilador cuando cambie los filtros.

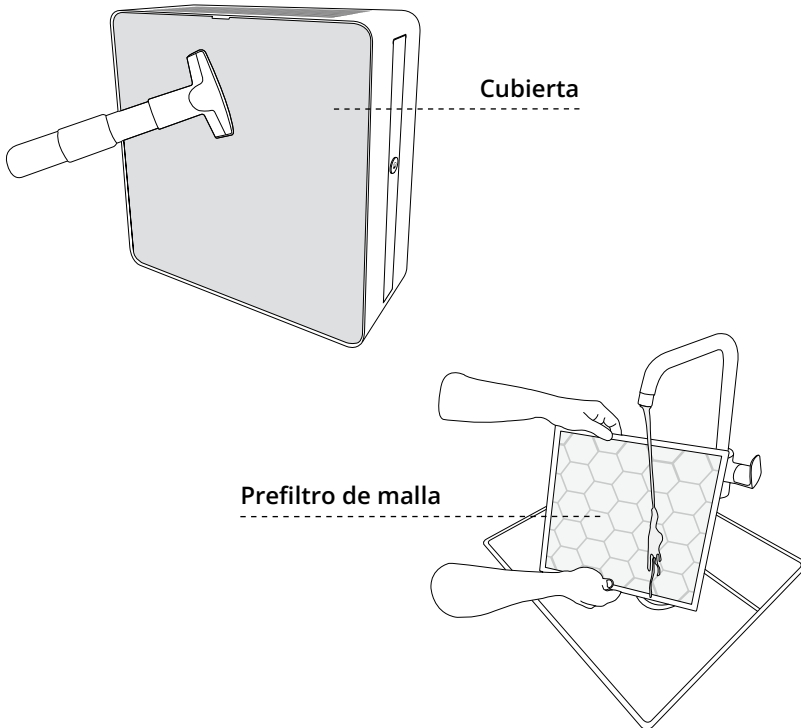
# Limpieza

Antes de limpiar Renew, es aconsejable desconectarlo.

Limpie el exterior de la unidad con un paño limpio y seco para eliminar el polvo y la suciedad acumulados. No utilice nunca productos de limpieza líquidos para limpiar Renew. Si fuera necesario, utilice un paño humedecido. Nunca debe entrar agua ni humedad en la unidad.

La cubierta frontal (que también es un prefiltro) debe limpiarse con una aspiradora a una velocidad muy baja y suave. Tenga cuidado de no presionar con fuerza el tejido para no dañarlo.

El prefiltro de malla se puede limpiar con agua y una pequeña cantidad de jabón suave para platos. La forma más sencilla de hacerlo es mediante un cabezal de ducha. Utilice un chorro suave de agua o sumerja el filtro y muévalo suavemente hacia adelante y hacia atrás. Deje secar completamente el prefiltro de malla antes de volver a colocarlo. La humedad puede aumentar el riesgo de que crezca moho dentro de la unidad.



# EFICIENCIA ENERGÉTICA

Este producto ha obtenido la etiqueta ENERGY STAR porque cumple con las estrictas directrices de eficiencia energética establecidas por la EPA de EE. UU. Los purificadores de aire ambiental han demostrado su capacidad para mejorar la calidad del aire y aportar beneficios para la salud. La EPA no respalda las afirmaciones de los fabricantes sobre el grado en que un producto específico generará un aire interior más saludable. La eficiencia energética de este modelo con certificación ENERGY STAR se mide en función de una relación entre el CADR del modelo para el humo y la energía eléctrica que consume, o CADR/vatios.

---

## GARANTÍA

Su compra está cubierta por la garantía estándar de su región.

# GESTIÓN DE RESIDUOS

El símbolo indica que este producto no debe desecharse con la basura doméstica, sino que debe llevarse a una estación de reciclaje o contenedor de aparatos eléctricos y equipos electrónicos para evitar riesgos para la salud y prevenir daños al medio ambiente.

Las empresas locales (o la estación de reciclaje de su barrio) están obligadas por ley a aceptar y reciclar dichos productos, como medio de gestión de residuos respetuosa con el medio ambiente.

NOTA: Deseche el filtro usado y cualquier embalaje de plástico de acuerdo con las directrices de reciclaje locales.



# INFORMACIÓN REGLAMENTARIA

## Información reglamentaria para Canadá

Cualquier cambio o modificación que no esté aprobado expresamente por la parte responsable del cumplimiento con el reglamento de FCC podría anular la autoridad que el usuario posee para operar este equipo.

Este dispositivo cumple con los RSS exentos de licencia de Innovación, Ciencia y Desarrollo Económico de Canadá. Su uso estará sujeto a las siguientes dos condiciones: (1) este dispositivo no deberá ocasionar interferencias y (2) este dispositivo deberá aceptar cualquier interferencia recibida, incluso aquellas que produzcan un funcionamiento no deseado del propio dispositivo.

Seguridad para la exposición a radiofrecuencias. Este producto es un transmisor y receptor de radio. Está diseñado y fabricado para no sobrepasar los límites de exposición para la energía de radiofrecuencia (RF) establecidos por la ISED. La antena debe instalarse y operarse a una distancia mínima de 20 cm entre el radiador y el cuerpo del usuario. Solo

El transmisor no debe ubicarse ni funcionar junto con ninguna otra antena o emisor.

CAN ICES-3 (B)/NMB-3(B)

Este aparato digital de Clase B cumple con la norma canadiense ICES-003

## Información reglamentaria para EE. UU.

Cualquier cambio o modificación que no esté aprobado expresamente por la parte responsable del cumplimiento con el reglamento de FCC podría anular la autoridad que el usuario posee para operar este equipo.

Este dispositivo cumple con la parte 15 de las normas de la FCC. Su funcionamiento está sujeto a las siguientes dos condiciones:

(1) Este dispositivo no deberá ocasionar interferencias dañinas y (2) este dispositivo deberá aceptar cualquier interferencia recibida, incluso aquellas que produzcan un funcionamiento no deseado.

Aviso de dispositivo de clase B. Las pruebas efectuadas ponen de manifiesto que este dispositivo se adecua a los límites establecidos para los dispositivos digitales de Clase B, de conformidad con la parte 15 de las Reglas FCC. Dichos límites han sido diseñados para proporcionar una protección razonable contra posibles interferencias en una instalación residencial. Este equipo genera,

utiliza y puede irradiar energía de radiofrecuencia y, si no se instala y se utiliza siguiendo las instrucciones, puede provocar interferencias perjudiciales en las comunicaciones por radio. No obstante, no se puede garantizar que no se vaya a producir este tipo de interferencias en una instalación en particular. Si este dispositivo ocasionara interferencias perjudiciales en la recepción de radio o televisión, lo cual puede comprobarse encendiéndolo y apagándolo, se recomienda intentar corregirlas poniendo en práctica uno o varios de los procedimientos que se describirán a continuación:

- Reorienta o reubica la antena receptora.
- Aumenta la separación existente entre el equipo y el receptor.
- Conecte el equipo a una toma de corriente o a un circuito que no sean aquellos a los que está conectado el receptor.
- Ponte en contacto con el distribuidor o con un técnico con experiencia en radio/TV para solicitarle su ayuda.

Seguridad para la exposición a radiofrecuencias. Este producto es un transmisor y receptor de radio. Está diseñado y fabricado para no sobrepasar los límites de exposición para la energía de radiofrecuencia (RF) establecidos por la Comisión Federal de Comunicaciones (FCC). La antena debe instalarse y operarse a una distancia mínima de 20 cm entre el radiador y el cuerpo del usuario.

Este transmisor no debe ubicarse ni funcionar junto con ninguna otra antena o emisor.

## **Información reglamentaria de la UE**

Los productos de Airthings que se venden en la UE cumplen con las directivas de la UE. El texto completo de la Declaración de Conformidad de la UE está disponible previa solicitud por correo electrónico a [support@airthings.com](mailto:support@airthings.com).

## **Información reglamentaria del Reino Unido**

Los productos de Airthings que se venden en el Reino Unido cumplen con los instrumentos estatutarios del Reino Unido. El texto completo de la Declaración de Conformidad del Reino Unido está disponible previa solicitud por correo electrónico a [support@airthings.com](mailto:support@airthings.com).

## **Información de láser de clase 1**

Clasificado como producto láser de clase 1 según el estándar IEC60825-1 Ed. 3. Estos dispositivos cumplen con las normas CFR 1040.10 y 1040.11, excepto por conformidad con IEC 60825-1 Ed. 3., como se describe en la Notificación láser n.º 56, con fecha del 8 de mayo de 2019. Precaución: Estos dispositivos contienen uno o más láseres. La reparación, el desmontaje o un uso del dispositivo distinto al descrito en el manual de usuario podrían provocar daños que, a su vez, podrían causar una exposición peligrosa a emisiones de láser infrarrojo invisibles. Solo Airthings o un proveedor de servicios autorizado por Airthings deben reparar este equipo.

## **Bandas de frecuencia ISM y potencia de salida**

El rango de frecuencia para Bluetooth y WiFi 802.11b/g/n es de 2400,0 - 2483,5 MHz. La potencia de salida para Bluetooth es < 10 mW  
La potencia de salida para WiFi 802.11b/g/n es < 100 mW

# DECLARACIÓN DE CONFORMIDAD DEL PROVEEDOR

Los siguientes documentos están disponibles previa solicitud:

- Cumple con UL STD-507
- Certificado por CSA STD.C22.2 No.113
- Declaración de conformidad del proveedor de EE. UU. según la sección 15B de la FCC
- Declaración de conformidad del proveedor de Canadá según ICES-003
- Cumple con LVD/RED/ROHS
- Declaración de conformidad de la UE/Reino Unido según CE/UKCA



---

## ¿Necesita más ayuda?

Puede consultar artículos técnicos en [help.airthings.com](https://help.airthings.com) o ponerse en contacto con nuestro equipo por correo electrónico escribiendo [support@airthings.com](mailto:support@airthings.com)

Siga a @airthings en      [www.linktr.ee/airthings](https://www.linktr.ee/airthings)



---

## VI LEVER OG PUSTER LUFTKVALITET

Airthings ble opprettet i 2011 med det målet å hjelpe folk overalt med å ta kontroll over luften de puster hjemme. Vi har et stort utvalg innendørs radon- og luftkvalitetsmonitører som gir huseiere muligheten til å se det usynlige og forstå hva som faktisk er i luften de puster.

Renew er luftrensere designet med tanke på bruk på soverom. En god natts søvn er viktig for helse og velvære. I løpet av natten reparerer og fornyer kroppen din seg, gjenoppretter energien din og hjelper deg å våkne uthvilt neste morgen. Renew er ultra-stille og integrerer en høypresisjon partikkelsensor for å spore endringer i luftkvaliteten, for å sikre at du alltid puster ren og sunn luft.

Denne veiledningen vil hjelpe deg å komme i gang med å bruke Renew trygt og effektivt. Hvis du trenger mer informasjon eller hjelp, kan du sjekke kunnskapsbasen vår online på [help.airthings.com](https://help.airthings.com) eller kontakte teamet vårt på [support@airthings.com](mailto:support@airthings.com).

# INNHold

Viktig sikkerhetsinformasjon .....	92
Begreper brukt i denne veiledningen .....	96
Din Renew-luftrensener .....	97
Kom i gang .....	98
Guide for hurtig oppstart .....	98
Hvordan få mest mulig ut av Renew .....	99
Hvordan henge Renew på veggen .....	100
Ingen bekymringer med Auto-modus .....	101
Sikkerhetsmekanisme for viften .....	101
Bruke kontrollpanelet .....	102
Vedlikeholde din Renew-enhet .....	104
Bytte filter .....	104
Renhold .....	105
Energieffektivitet .....	106
Garanti .....	106
Avfallshåndtering .....	107
Viktig informasjon .....	108
Leverandørens samsvarserklæring .....	111

# VIKTIG SIKKERHETSINFORMASJON

**Les og ta vare på disse instruksjonene.**

## **FARE – For å redusere risikoen for brann, elektrisk støt eller personskade**

I tilfelle en funksjonsfeil (gnister, lukt av brent osv.), stopp driften av enheten umiddelbart, koble fra strømfedningen og kontakt Airthings' kundestøtte.

- Ikke oppbevar eller bruk bensin eller andre brennbare gasser og væsker i nærheten av dette eller andre apparater.
- ADVARSEL: Ikke bruk denne viften med en Solid-State"-kontrollenhet for hastighet.
- Ikke la vann eller andre væsker eller brennbare vaskemidler komme inn i enheten.
- Ikke grip etter en enhet som har falt i vannet. Koble den fra umiddelbart.
- Ikke plasser eller oppbevar enheten der den kan falle eller dras ned i et badekar eller en vask.
- Ikke plasser i eller slipp ned i vann eller annen væske.
- ADVARSEL: Ikke bruk reservedeler som ikke er anbefalt av produsenten (f.eks. deler laget hjemme ved hjelp av en 3D-printer).
- Barn under 8 år skal holdes unna apparatet med mindre de er under kontinuerlig tilsyn. Hold all emballasje unna barn.
- Dette apparatet kan brukes av barn i alderen 8 år og oppover og personer med reduserte fysiske, sensoriske eller mentale evner eller mangel på erfaring og kunnskap, hvis de får tilsyn eller instruksjoner om bruk av apparatet på en sikker måte og forstår farene involvert. Barn må ikke leke med apparatet. Rengjøring og brukervedlikehold skal ikke utføres av barn uten tilsyn.

## **ADVARSEL – For å unngå produktskade eller personskade**

- For å unngå brannfare eller elektrisk støt må du ikke kutte, fjerne eller omgå noen deler av strømledningen.
- I tilfelle en funksjonsfeil (gnister, lukt av brent osv.): stopp driften umiddelbart, koble fra strømledningen og kontakt Airthings kundestøtte.
- Dette apparatet kan brukes i en 100–240V, 50–60 Hz strømforsyning uten endringer.
- Ikke bruk skjøteledning eller adapterplugg.
- Hold ledningen unna varme overflater.
- Ikke bruk enheten hvis den har en skadet ledning eller støpsel, eller etter at luftrenseren har hatt en feil, eller har falt eller skadet på noen måte. Kontakt Airthings kundestøtte.
- Ikke klem, bøyy eller knyt strømledningen. Ikke kutt eller skad strømledningen. Hvis strømledningen blir skadet. Kontakt Airthings kundestøtte.
- Sørg for at alt elektrisk/elektronisk utstyr er 30 cm unna enheten.
- Ikke stopp enheten ved å trekke ut strømledningen.
- Hvis apparatet ble kjøpt i USA, har dette apparatet en polarisert plugg (det ene bladet er bredere enn det andre). For å redusere risikoen for støt er denne pluggen ment å passe bare én vei i en polarisert stikkontakt. Hvis støpselet ikke passer helt inn i stikkontakten, snu støpselet. Hvis den fortsatt ikke passer, må du ta kontakt med en kvalifisert elektriker.  
ADVARSEL: IKKE prøv å omgå denne sikkerhetsfunksjonen. Dette kan føre til fare for elektrisk støt.

## **FORSIKTIG – For å bruke apparatet på en sikker måte**

- Ikke bruk det utendørs. Dette produktet er utelukkende beregnet til hjemmebruk innendørs.
- Ikke bruk i rom med høy luftfuktighet som bad eller vaskerom.
- Ikke vipp eller flytt enheten mens den er i drift. Slå av og koble fra enheten før du flytter den.
- Slå av enheten ved strømkilden når den ikke er i bruk over en lengre periode.
- Hold enheten minst 1 m fra varmekilder som komfyrer, radiatorer eller varmeovner.
- Ikke rett luftstrømmen mot peiser, stearinlys eller andre former for åpen ild. Dette kan forårsake oppblussing.
- Bruk kun enheten med luftfiltrene installert eller designet for denne enheten.
- Ikke blokker eller dekk til inntaksområdet, utløpsområdet og utløpsportene. Ikke bruk den på en myk overflate, som en seng, hvor åpninger kan bli blokkert.
- Når du bruker kroken for å henge på vegg, sørg for at kroken er godt festet. Ikke plasser gjenstander oppå en veggmontert enhet. Hold den veggmonterte enheten og strømkabelen unna barn.
- Ikke klatre på eller plasser gjenstander på enheten. Ikke heng gjenstander på enheten. Ikke plasser beholdere med væske på enheten.
- Koble alltid fra enheten før du bytter filtre. Ikke prøv å berøre viftebladet når du fjerner filteret.
- Ikke bruk enheten med våte hender.
- Ikke stikk fingre eller gjenstander inn i luftutløpsområdet eller den øvre grillen på enheten.
- Denne enheten inneholder ingen andre deler som brukeren kan utføre service på enn utskiftbare filtre. Hvis du mistenker at enheten er defekt, kontakt Airthings' kundestøtte.
- Ikke trekk ledninger under tepper, løpere, møbler eller apparater. Dette kan forårsake snublefare.
- Ikke heng på, klatre på, trekk i strømledningen eller plasser gjenstander oppå en veggmontert luftrenser.

**BRUK DENNE LUFTRENSEREN KUN FOR DEN TILSIKTEDE BRUKEN SOM BESKREVET I DENNE HÅNDBOKEN. ALL ANNEN BRUK SOM IKKE ER ANBEFALT AV PRODUSENTEN KAN FORÅRSAKE BRANN, ELEKTRISK STØT ELLER PERSONSKADE.**



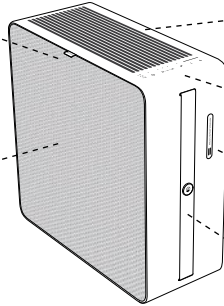
# BEGREPER BRUKT I DENNE VEILEDNINGEN

- CADR:** "Clean Air Delivery Rate", (ren luft-kapasitet) eller CADR, beskriver luftrensens effektivitet basert på volumet av ren luft som produseres per minutt.
- dB (A):** Desibel er enheter som måler lydintensitet. For eksempel er 25 dB ofte beskrevet som stille som "hvisking" eller "bibliotek-stille".
- HEPA-13:** HEPA, eller high-efficiency particulate air, er en standard for å angi effektiviteten til et luftfilter for å fjerne partikler. HEPA-13-filtre gir partikkelfiltrering på medisinsk nivå, og fjerner 99,97 % av partikler over 0,3 mikrometer i diameter. Disse inkluderer pollen, muggsporer, bakterier, virus og andre fine partikler.
- Forfilter (pre-filter):** Et forfilter fjerner større partikler før luften går gjennom HEPA-13-filteret. Renew har to forfiltre: et ytre audio-kvalitet tekstilfilter og et indre nettingfilter. Begge kan rengjøres og bidrar til å forlenge brukstiden til HEPA-13-filteret.
- Aktivert karbon:** Også kalt kullfilter. Disse filterne bruker aktiverte karbonpellets som adsorberer og fanger gasser og lukt fra luften. Blant mange andre ting hjelper dette filteret med å fjerne luktene som kan komme fra kjæledyr, matlaging og røyking.
- PM<sub>2,5</sub>:** Dette er betegnelser som beskriver typer luftbårne partikler (PM) i form av deres maksimale diameter målt i mikron ( $\mu$ ). Alle disse er inhalerbare, men PM<sub>2,5</sub>-partikler er bemerkelsesverdige for å være små nok til ikke bare å komme inn i lungene, men også i blodet. Langtidseksponering for luft med høye nivåer av PM<sub>2,5</sub> har vært knyttet til flere alvorlige langsiktige helseeffekter, inkludert hjertesykdom og lungesykdom. Den høypresisjons PM-sensoren i Renew måler konsentrasjonen av partikler i rommets luft og rapporterer PM<sub>2,5</sub>-nivåer i Airthings-appen i form av mikron per kubikkmeter luft ( $\mu/m^3$ ).

# DIN RENEW-LUFTRENSER

**Trekk i fliken**  
For å fjerne  
dekselet

**Frontdeksel**  
Luftstrøm inn / tekstil-  
forfilter – ikke blokker  
– la det være minst  
20 cm klaring



**Luftutløpsgrill**  
Ikke blokker – la det være  
minst 20 cm klaring

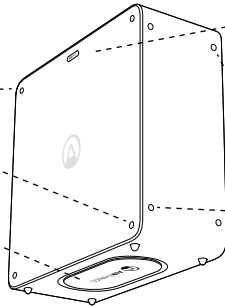
**Kontrollpanel**

**Luftkvalitetssensor**  
Ikke blokker – la det være  
minst 20 cm klaring

**Håndtak**  
Kun til bæring

**Føtter for  
liggende  
stilling**

**Strømkabelrom**  
Avtakbart deksel

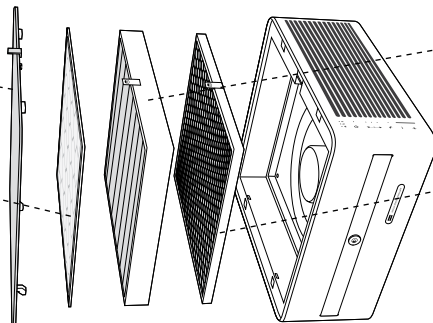


**Åpning for veggkrok**  
Brukes til montering  
på vegg

**Føtter for  
sidestående stilling**

**Frontdeksel  
(tekstilforfilter)**  
Rengjør ved  
forsiktig støvsuging

**Fibermaske-  
forfilter**  
Vask med mild  
såpe og vann



**HEPA-13 filter**  
Utskiftbart -  
Skal ikke vaskes

**Kullfilter**  
Utskiftbart -  
Skal ikke vaskes

# KOM I GANG

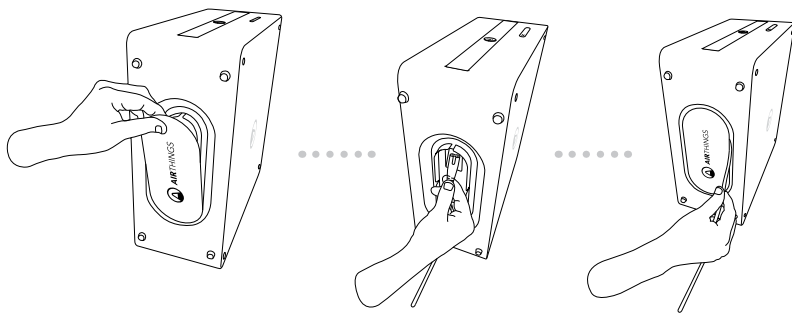
Ta Renew-enheten og strømledningen ut av esken. Plasser enheten på gulvet med kontrollpanelet vendt opp.

---

## Guide for hurtig oppstart

**TRINN 1.** Koble strømkabelen til enheten.

Legg Renew forsiktig på siden slik at du får tilgang til kabeloppbevaringsrommet på undersiden. Fjern dekselet til rommet, og koble til strømledningen. Med plassering av strømuttaket og plasseringen av enheten i tankene, samle eventuell overflødig kabellengde og legg i kabelrommet etter at du har satt på dekselet.



**TRINN 2.** Koble til strøm

Koble strømkabelen til en AC 120V (US) AC 220–240V (EU/UK) stikkontakt. Enheten går inn i Auto-modus og luftkvalitetssensoren begynner å ta prøver av luften.

---

**TRINN 3.** Koble til WiFi

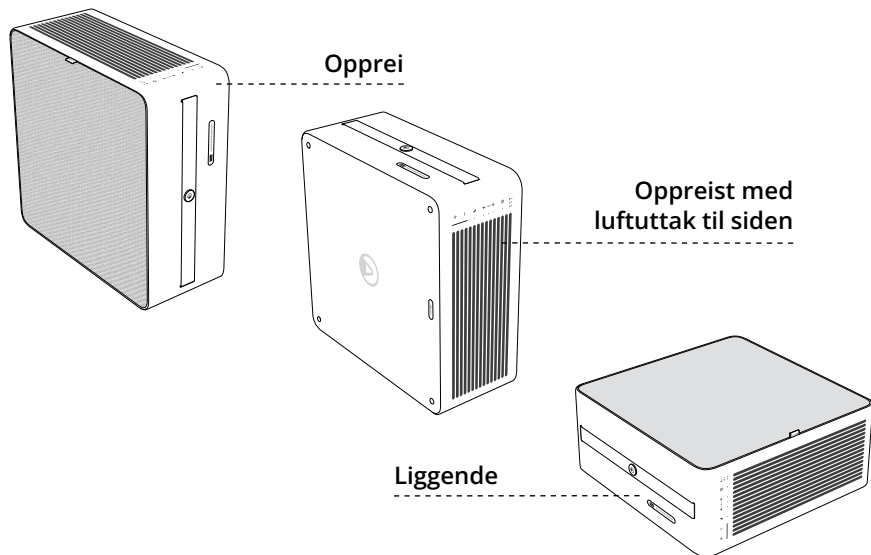
Last ned Airthings-appen, og følg instruksjonene for å opprette en konto, koble til WiFi, og legge til Renew på kontoen din. Hvis du allerede har en Airthings-konto, trykker du på Legg til enhet for å legge til Renew, og så er alt klart.

For å koble ifra Wifi gå til innstillinger i appen, eller se under "gjenopprett fabrikkinnstillinger" i denne brukerveiledningen.

**Merk:** For WiFi-tilkobling krever Renew en 2,4 GHz-båndruter og Airthings-appen. Kravene til Airthings-appen finner du i App Store og Google Play.

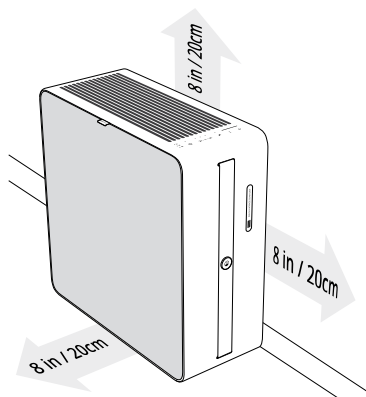
## Hvordan få mest mulig ut av Renew

Renew er designet for å passe inn i miljøet ditt på enkelt vis og tilbyr en del forskjellige plasseringsalternativer.



Uansett hvordan du velger å plassere Renew i rommet ditt, foreslår vi at du vurderer følgende for å få best mulig ytelse.

- Plasser enheten kun på en jevn og stabil overflate.
- Ikke plasser noe oppå Renew-enheten.
- Renew-enheten suger inn luft inn gjennom tekstildekselet og blåser det ut gjennom gitteret ved siden av kontrollpanelet. Sørg for at du har minst 20 cm ledig plass slik at luft kan strømme fritt inn og ut av Renew-enheten.
- Unngå å blokkere luftstrømmen inn i partikkelsensoren. La det være minst 20 cm rundt åpningen til sensoren.
- Bruk Renew i et lukket rom for å få de raskeste resultatene og for effektiv drift.



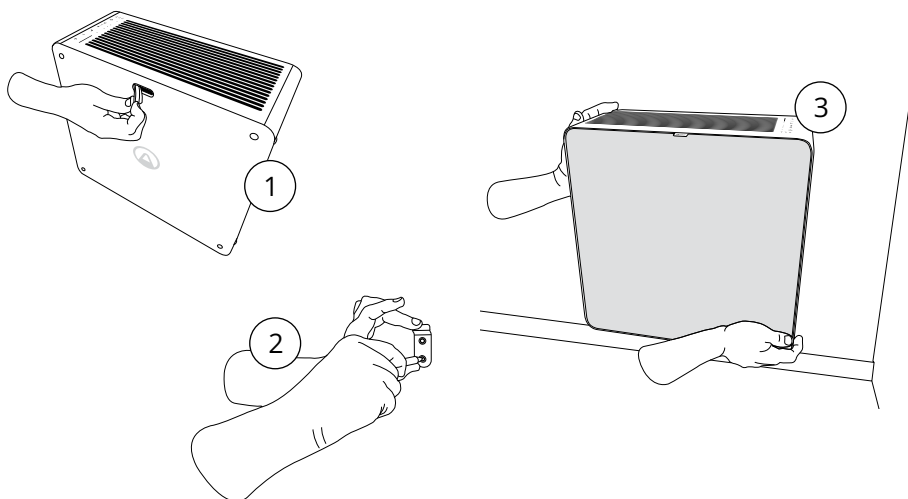
## Hvordan henge Renew på veggen

**VIKTIG MERKNAD:** Sørg for å bruke skruer, bor og beslag som passer for din type veggmateriale og vekten på enheten (6 kg). Riktig montering av veggkroken er avgjørende og ditt ansvar. Trenger du hjelp eller er usikker, ta kontakt med en fagmann. Vi aksepterer ikke noe ansvar knyttet til opphenging av Renew, inkludert skade eller personskaade som følge av feil oppsett, montering eller bruk, eller ansvar på grunn av at enheten faller eller at kroken løsner fra veggen.

Renew kan monteres på vegg ved hjelp av veggkroken som følger med i esken. På baksiden av enheten er det en åpning for dette formålet. Du bør KUN montere enheten med tekstildekselet vendt ut og lufttuttakene og kontrollpanelet vendt opp. *Bruk aldri strophåndtaket til å henge opp enheten – det er ikke laget for det formålet.*

Vi anbefaler å veggmontere enheten med undersiden ikke mer enn 30 cm fra gulvet.

1. På baksiden av Renew er det en liten dekket åpning. Fjern dette dekselet og oppbevar det et sted der du vil kunne finne det. Vi anbefaler at du bruker kabelromdekselet til å oppbevare denne delen.
2. Bruk skruer og annet verktøy som passer for veggmaterialet, til å feste veggkroken godt til veggen. Pass på at kroken sitter godt på plass.
3. Heng nå enheten på kroken ved hjelp av åpningen på baksiden.



## Ingen bekymringer med Auto-modus

Du trenger ikke å bekymre deg for når du skal slå Renew på eller av, eller hvor raskt du skal kjøre viften. Vi har designet Renew med en høypresisjons, laserbasert partikkelsensor (PM) som holder oversikt med rommets luftkvalitet. Så snart den oppdager en økning i PM, aktiverer den riktig viftehastigheten for å forhindre at luftkvaliteten blir dårlig.

Derfor anbefaler vi å bruke Auto-modus på dagtid. Da får du på god luftkvalitet samtidig som du unngår unødvendig energibruk.

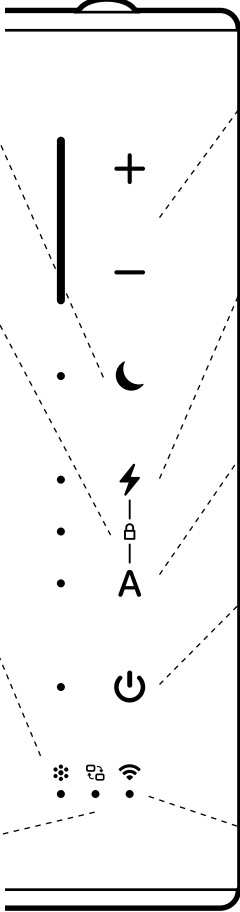
---

## Sikkerhetsmekanisme for viften

Hvis Renew oppdager at viftehastigheten synker unormalt, stopper motoren automatisk for å unngå ytterligere skade på viftebladene. Dette skjer vanligvis hvis gjenstander ved et uhell mistes eller faller ned i luftutløpsgrillen.

# BRUKE KONTROLLPANELET

Panelet består av en rad med indikatorlys ved siden av kontrollknapper for vanlige operasjoner. Ytterligere operasjoner kan aktiveres ved å bruke en kombinasjon av knapper som også er beskrevet her.



The diagram shows a vertical control panel with the following elements from top to bottom:

- A vertical bar on the left side.
- A plus sign (+) and a minus sign (-) for speed control.
- A moon icon for Auto-modus.
- A lightning bolt icon for Boost-modus.
- A power button icon (A) for Standby.
- A power button icon (power symbol) for WiFi-status.
- At the bottom, a grid of dots for the filter change indicator, a speaker icon for the air quality indicator, and a Wi-Fi symbol for the WiFi status indicator.

**Stille modus**  
Kjører på laveste hastighet i åtte timer med panellyset dempet.

**Barnesikringsindikator**  
Trykk Auto og Boost sammen i tre sekunder for å slå barnesikringen på eller av.

**Luftkvalitetsindikator**  
Indikerer rommets nåværende luftkvalitet i form av PM-nivå.  
**Rødt = DÅRLIG** (Over  $25 \mu\text{g}/\text{m}^3$ )  
**Gult = OK** ( $10 \mu\text{g}/\text{m}^3$  til  $25 \mu\text{g}/\text{m}^3$ )  
**Grønt = GOD** (Mindre enn  $10 \mu\text{g}/\text{m}^3$ )

**Filterbytteindikator**  
Lyser når det er på tide å skifte filterne. Sjekk Airthings-appen for enkel bestilling.

**Viftehastighetskontroller**  
For manuell betjening av de fem hastighetene.

**Boost-modus**  
Kjører på full styrke i én time.

**Auto-modus**  
Still inn og glem. Justerer viftehastigheten basert på gjeldende luftkvalitet.

**Standby**  
Slår rensefunksjonen på eller av. Når den er av, fortsetter luftkvalitets-sensoren å fungere.

**WiFi-status**  
Lyser jevnt når du er koblet til internett via WiFi. Er av hvis ikke koblet til WiFi. Blinker hvis den er koblet til WiFi, men det er ingen internetttilkobling.

Her er tilleggsoperasjonene du kan utføre ved å bruke kontrollpanelet på enheten:

<b>Tilbakestill filterbytteindikatoren</b>	Gjør dette rett etter at du har byttet filtrene. Trykk og hold inne Stille modus-knappen i fem sekunder. Dette tilbakestiller filteralgoritmen og slår av indikatorlyset for filterbytte.
<b>Slå av tastepipelyder</b>	Hold Boost-modus-knappen inne i fem sekunder for å slå av pipelydene når knappene trykkes. Gjør det samme for å slå pipelydene på igjen.
<b>Demp panelets LED-lys</b>	LED-lysene dimmes alltid når du aktiverer stille modus. Du kan dempe lys manuelt for ALLE moduser ved å trykke på Automodus-knappen i 5 sekunder. Gjør det samme for å slå lysene på igjen.
<b>Tilbakestill enheten til fabrikkinnstillinger</b>	Trykk og hold inne både + og - knappene i 10 sekunder for å tilbakestille enheten til fabrikkinnstillinger. Når du tilbakestiller enheten til fabrikkstandard, slettes alle WiFi-tilkoblinger og enheten er klar til å kobles til en ny konto i appen. Enheten vil fortsette å vises i appen din med mindre du sletter den, men du kan ikke lenger se nye PM-data eller få tilgang til smartfunksjonalitet.

# VEDLIKEHOLDE DIN RENEW-ENHET

Det er ikke mye du trenger å gjøre for å holde din Renew-enhet i gang effektivt i årevis. I tillegg til å skifte filter etter behov, anbefaler vi å holde enheten ren og fri for overflødig støv.

---

## Bytte filter

Renew forteller deg når du skal bytte filter basert på en smart algoritme. Dette sikrer filtereffektivitet daglig hvis luften er mer forurenset enn gjennomsnittet. **Filterbytteindikatoren** på kontrollpanelet vil da lyse. Du kan også sjekke gjenværende filterlevetid i appen når som helst.

Du kan bestille nye filtre på [airthings.com](https://airthings.com), i Airthings-appen eller hos utvalgte autoriserte forhandlere.

Når du har de nye filtrene for hånden, er dette hva du skal gjøre:

1. Koble fra enheten før du bytter filtrene.
2. Fjern tekstilfrontdekselet (ytre forfilter) og det indre forfilteret.
3. Fjern nå det gamle filteret og skift det ut med det nye. Husk å sette inn det nye filteret med trekkappen opp og ut.  
Tips: Plasser det brukte filteret direkte i posen det nye filteret kommer i, for å forhindre at støv og partikler spres.
4. Sett sammen forfiltrene igjen og plugg enheten inn igjen.
5. Til slutt tilbakestiller du filterbyttealgoritmen og slår av **filterbytteindikatorlyset**. For å gjøre dette trykker du og holder inne Stille modus-knappen i fem sekunder.

Ikke prøv å berøre viftebladene når du skifter filtre.

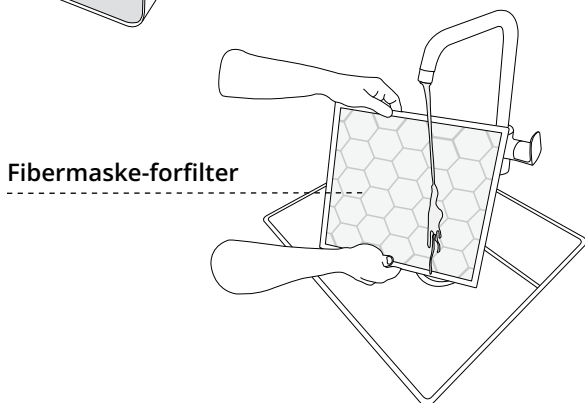
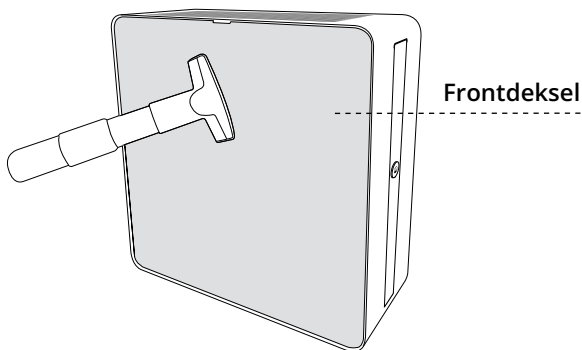
## Renhold

Før du rengjør Renew, er det lurt å trekke ut støpselet.

Tørk av utsiden av enheten med en ren, tørr klut for å fjerne oppsamlet støv og smuss. Bruk aldri rengjøringsvæsker til å rengjøre Renew – hvis du må, bruk kun en lett fuktet klut. Vann eller fuktighet må aldri komme inn i enheten.

Frontdekslet (også et forfilter) bør rengjøres med en støvsuger på en veldig lav og forsiktig hastighet. Vær forsiktig så du ikke trykker hardt på tekstilet, ellers risikerer du å skade det.

Netting forfilteret kan rengjøres med vann med en liten mengde mildt oppvaskmiddel i. Hvis du har et håndholdt dusjhode, er det den enkleste måten å gjøre dette på. Bruk en lett vannstråle eller legg filteret i bløt, og beveg det forsiktig frem og tilbake. Du må la netting forfilteret tørke helt før du setter det inn igjen. Fuktighet kan øke risikoen for muggvekst inne i enheten.



# ENERGIEFFEKTIVITET

Dette produktet fikk ENERGY STAR-merket ved å oppfylle strenge retningslinjer for energieffektivitet satt av det amerikanske EPA. Romluftrensere har demonstrert evnen til å forbedre luftkvaliteten og gi helsefordeler. EPA støtter ikke produsentens påstander om i hvilken grad et spesifikt produkt vil produsere sunnere inneluft. Energieffektiviteten til denne ENERGY STAR-sertifiserte modellen måles basert på forholdet mellom modellens CADR for røyk og den elektriske energien den forbruker, eller CADR/watt.

---

# GARANTI

Kjøpet ditt dekkes av din regions standardgaranti.

# AVFALLSHÅNTERING

Symbolet indikerer at dette produktet ikke skal kastes i husholdningsavfallet. Dette produktet må leveres til en gjenvinningsstasjon eller beholder for elektriske apparater og elektronisk utstyr.

Dette gjøres for å unngå helserisiko og forhindre skade på miljøet. Lokale bedrifter (eller miljøstasjonen i nabolaget ditt) er lovpålagt å akseptere og resirkulere slike produkter, for å besørge miljøvennlig avfallshåndtering.

**MERK!** Kast det brukte filteret samt eventuell plastemballasje i henhold til lokale retningslinjer for avhending.



# VIKTIG INFORMASJON

## Viktig informasjon Canada

Endringer eller modifikasjoner som ikke er uttrykkelig godkjent av den ansvarlige parten, kan ugyldiggjøre brukerens rett til å bruke utstyret.

Denne enheten overholder Canadas lisensfrie RSS(er) for innovasjon, vitenskap og økonomisk utvikling. Bruk er underlagt følgende to betingelser: (1) Denne enheten må ikke forårsake forstyrrelser, og (2) Denne enheten må kunne tåle forstyrrelser, inkludert forstyrrelser som kan forårsake uønsket drift av enheten.

Eksponeringssikkerhet for RF. Dette produktet er en sender og mottaker av radiofrekvens. Det er designet for å ikke overskride utslippsgrensene for eksponering for radiofrekvensenergi (RF) satt av ISED. Antennen må installeres og betjenes med en minimumsavstand på 20 cm mellom sender av radiofrekvens og kroppen din. Dette

senderen må ikke være plassert på samme sted som eller brukes sammen med andre antenner eller sendere.

CAN ICES-3 (B)/NMB-3(B)

Dette digitale apparatet i klasse B overholder kanadisk ICES-003

## Viktig informasjon USA

Endringer eller modifikasjoner som ikke er uttrykkelig godkjent av den ansvarlige parten, kan ugyldiggjøre brukerens rett til å bruke utstyret.

Denne enheten overholder del 15 av FCC-reglene. All drift er underlagt følgende to betingelser:

(1) Denne enheten skal ikke forårsake skadelig interferens, og (2) denne enheten må kunne tåle interferens, inkludert forstyrrelser som kan forårsake uønsket drift av enheten.

Merknad for klasse B-enhet. MERKNAD: Dette utstyret er testet og godkjent i å overholde grensene for en digital enhet i klasse B, i henhold til del 15 i FCC-reglene. Disse begrensningene er utformet for å gi rimelig beskyttelse mot ødeleggende interferens ved installasjon i bolig. Dette utstyret genererer, bruker og kan utstråle radiofrekvensenergi. Dersom det ikke installeres og brukes i henhold til instruksjonene, kan dette forårsake ødeleggende forstyrrelse i radiokommunikasjon. Det er imidlertid ingen garanti for at

det ikke vil forekomme forstyrrelser i en bestemt installasjon. Hvis dette utstyret forårsaker skadelig interferens i radio- eller fjernsynsmottak, som kan oppdages ved å slå utstyret av og på, oppfordres brukeren til å prøve å korrigere forstyrrelsen ved hjelp av ett eller flere av følgende tiltak:

- Flytt eller omplasser mottakerantennen.
- Øk avstanden mellom utstyret og mottakeren.
- Koble utstyret til en stikkontakt tilhørende en annen krets enn den aktuelle mottageren er koblet til.
- Kontakt forhandleren eller en erfaren radio-/TV-tekniker for bistand.

Eksposeringssikkerhet for RF. Dette produktet er en sender og mottaker av radiofrekvens. Det er designet for å ikke overskride utslippsgrensene for eksponering for radiofrekvensenergi (RF) satt av det amerikanske Federal Communications Commission. Antennen må installeres og betjenes med en minimumsavstand på 20 cm mellom sender av radiofrekvens og kroppen din.

Denne senderen må ikke være plassert på samme sted som eller brukes sammen med andre antenner eller sendere.

## Forskriftsinformasjon EU

Airthings-produkter for salg i EU overholder EU-direktivene. Den fullstendige teksten til EU-samsvarserklæringen er tilgjengelig på forespørsel ved å sende en e-post til [support@airthings.com](mailto:support@airthings.com).

## Forskriftsinformasjon Storbritannia

Airthings-produkter for salg i Storbritannia overholder britiske lovbestemmelser. Den fullstendige teksten til den britiske samsvarserklæringen er tilgjengelig på forespørsel ved å sende en e-post til [support@airthings.com](mailto:support@airthings.com).

## Informasjon om laser i klasse 1

Klassifisert som klasse 1 laserprodukter i henhold til IEC60825-1 Ed. 3. Disse enhetene overholder 21 CFR 1040.10 og 1040.11, bortsett fra samsvar med IEC 60825-1 Ed. 3., som beskrevet i lasermerknad nr. 56, datert 8. mai 2019. Advarsel: Disse enhetene inneholder én eller flere lasere. Annen bruk enn beskrevet i bruksanvisningen, reparasjon eller demontering kan forårsake skade, som kan føre til farlig eksponering for usynlige, infrarøde utslipp fra laser. Dette utstyret må kun repareres eller demonteres av Airthings eller en annen autorisert tjenesteleverandør.

## ISM-frekvensbånd og utgangseffekt

Frekvensområde for Bluetooth og 802.11 b/g/n WiFi er 2400,0–2483,5 MHz

utgangseffekt for Bluetooth er  $< 10$  mW

Utgangseffekt for 802.11 b/g/n WiFi) er  $< 100$  mW

# LEVERANDØRENS SAMSVARSERKLÆRING

Følgende dokumenter er tilgjengelig på forespørsel:

- Samsvarer med UL STD-507
- Sertifisert til CSA STD.C22.2 No. 113
- Amerikansk leverandørklæring om samsvar under FCC del 15B
- Canadas leverandørs samsvarserklæring under ICES-003
- Samsvarer med LVD/RED/ROHS
- EU-/UK-samsvarserklæring under CE/UKCA



---

## Trenger du mer hjelp?

Finn tekniske artikler på [help.airthings.com](https://help.airthings.com)

Kontakt teamet vårt på [support@airthings.com](mailto:support@airthings.com)

Følg @airthings på      [www.linktr.ee/airthings](https://www.linktr.ee/airthings)



---

Airthings HQ  
Wergelandsveien 7  
0167 Oslo, Norway

Airthings America Inc.  
9 Main Street, Suite 2F  
Sutton, MA 01590 USA

## Need more help?

Find technical articles at [help.airthings.com](https://help.airthings.com)

Contact our team at [support@airthings.com](mailto:support@airthings.com)

Follow @airthings on      [www.linktr.ee/airthings](https://www.linktr.ee/airthings)