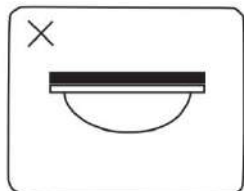
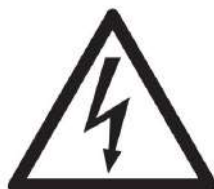


## CAUTION:

If it does not light up after turning on the power, please confirm whether the installation and wiring of the lamp are correct. The light source in this luminaire should be replaced by the manufacturer or its service agent or a similarly qualified person.



Unstable ceiling



Warning: Risk of electrical shock!

## Installation Manual

---



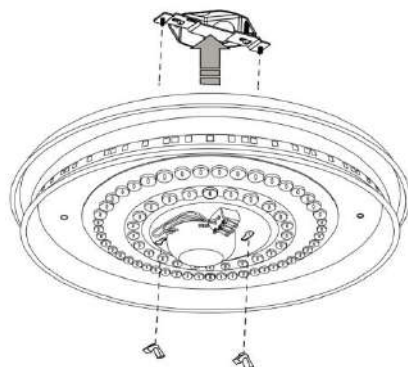
Warning: Before installing the lamp, the power must be cut off to prevent electric shock.

### Installation method A

1. Turn off the power at the circuit breaker and the light switch. Install the mounting bracket on the junction box using the junction box screws. Ensure that the two mounting bracket screws are pointing away from the ceiling.



2. Place the base on the mounting bracket. Temporarily screw the base of the luminaire to the mounting bracket using the butterfly screws.

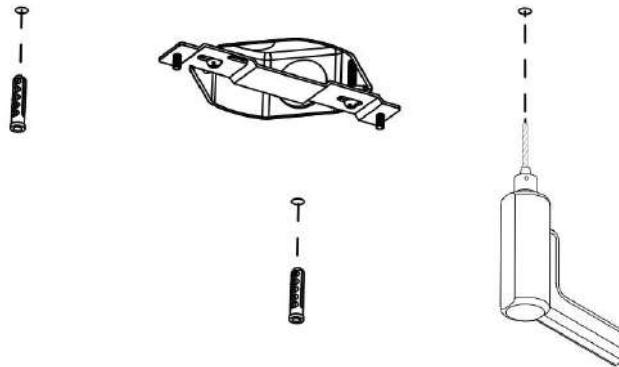


3. Mark on the ceiling the 3 locations where the holes will be drilled and remove the

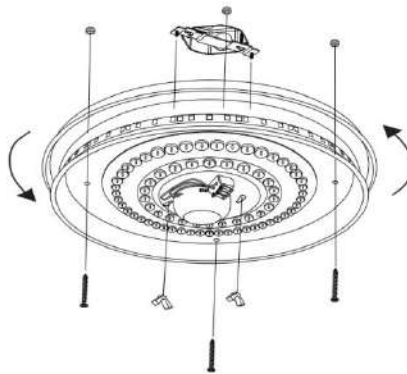
base.



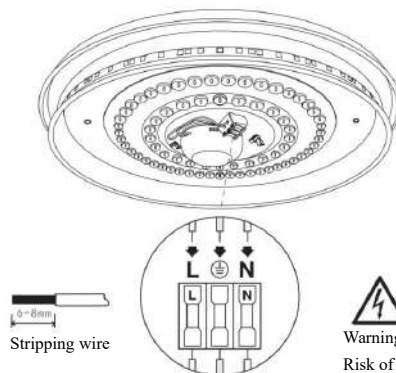
4. Drill pilot holes in the ceiling with a drill bit. And push wall anchors into the holes.



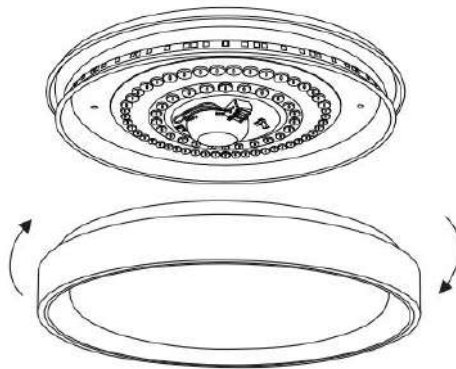
5. Slowly place the wires in the connection box. Align the holes in the base of the luminaire with the mounting bracket screws, raise the base and turn it counterclockwise, locking it into place. Tighten the butterfly screws to fix the light fixture to the ceiling and fasten the 3 retaining screws into the wall anchors.



6. Strip the wires by 6-8mm, and connect the live wire, ground wire, and neutral wire to the wiring holes marked with L,  $\perp$ , and N in the ceiling lamp in sequence.

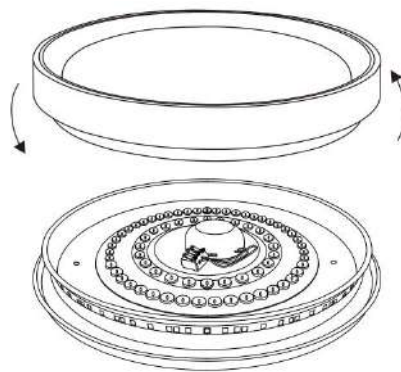


7. Hold both sides of the lampshade with both hands, align the base and gently buckle it in, rotate the lampshade clockwise to make it firmly installed with the base, and the installation of the ceiling lamp is completed.

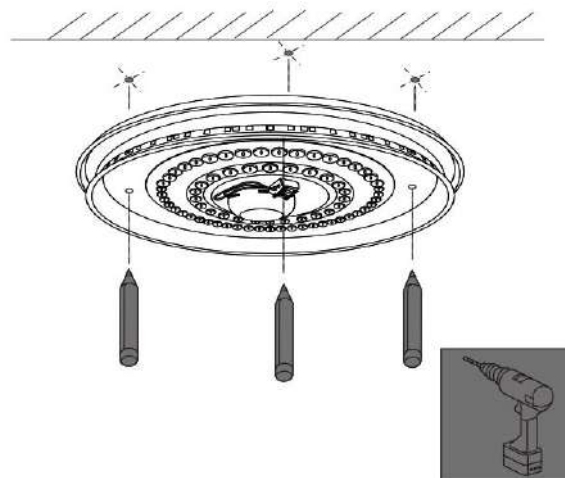


### Installation method B

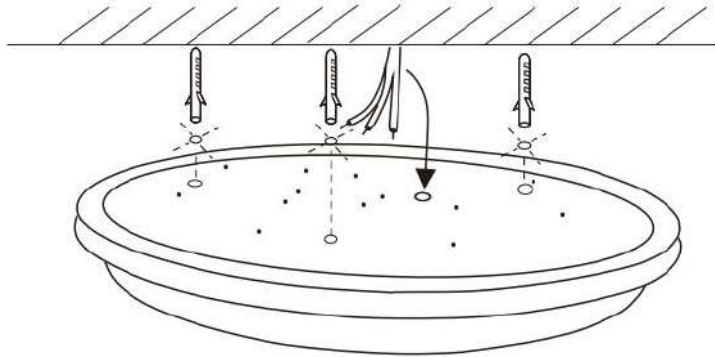
1. Cut off the power supply; unpack, take out the accessory package, hold the lampshade with both hands as shown in the figure below, and open the lampshade counterclockwise to take out the base.



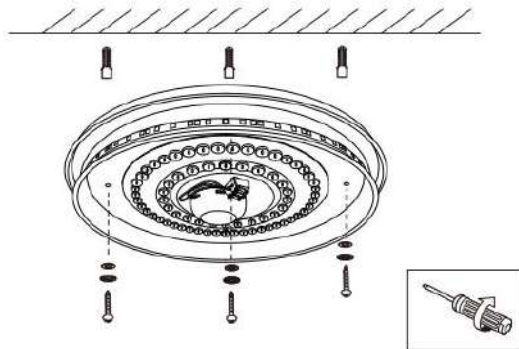
2. Mark the installation holes on the ceiling according to the installation position of the ceiling lamp with the base., and then drill the holes with an electric drill (the drilling depth is  $\geq 40\text{mm}$ ).



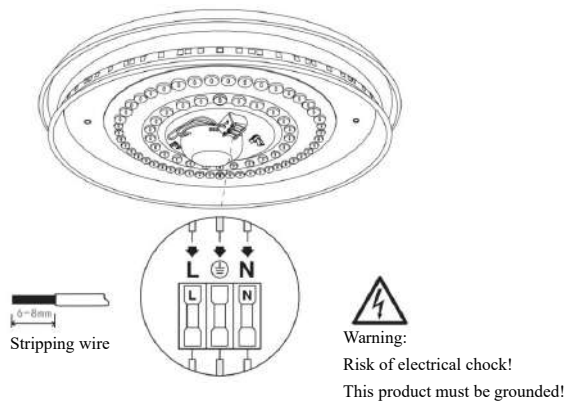
3. After drilling the holes, drive the wall anchors into the holes, and lead the wires out of the holes on the base.



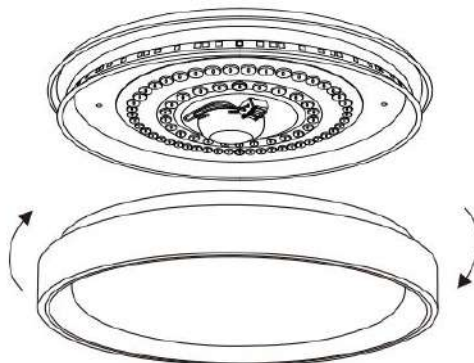
4. Align the mounting holes on the wall and fix the luminaries on the ceiling with screws, metal washers and plastic gaskets then confirm they are firm and reliable.



5. Strip the wires by 6-8mm, and connect the live wire, ground wire, and neutral wire to the wiring holes marked with L,  $\perp$ , and N in the ceiling lamp in sequence.



6. Hold both sides of the lampshade with both hands, align the base and gently buckle it in, totate the lampshade clockwise to make it firmly installed with the base, and the installation of the ceiling lamp is completed.



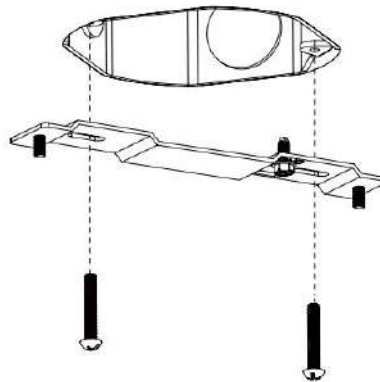
\* CAUTION: For safety, there is no risk of falling! After completing the installation, please shake the lampshade left and right to ensure the firmness of the ceiling lamp.

## Installation method C (For North American Users)

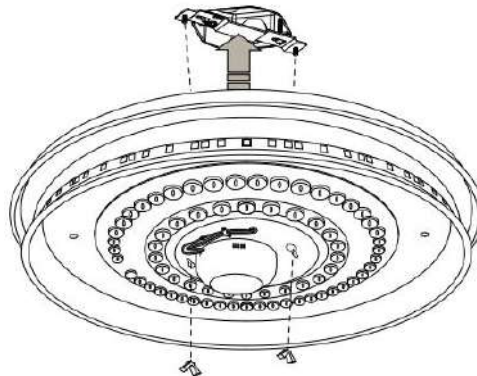
1. Cut off the power supply; unpack, take out the accessory package, hold the lampshade with both hands as shown in the figure below, and open the lampshade counterclockwise to take out the base.



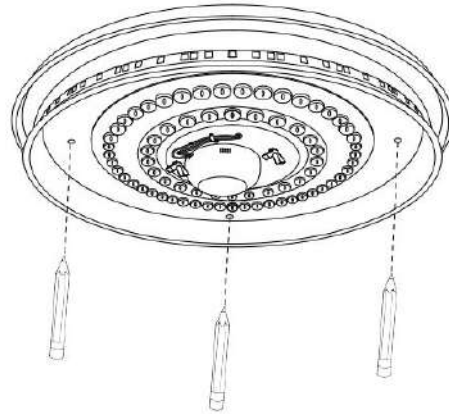
2. Install the mounting bracket on the junction box using the junction box screws. Ensure that the two mounting bracket screws are pointing away from the ceiling.



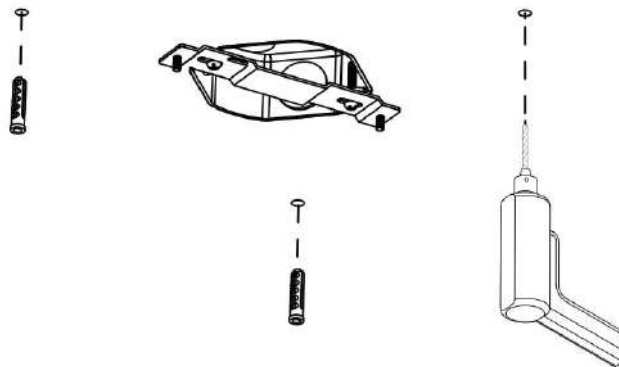
3. Place the base on the mounting bracket. Temporarily screw the base of the luminaire to the mounting bracket using the butterfly screws.



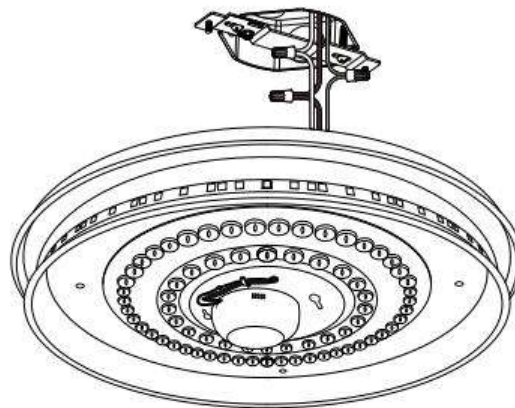
4. Mark on the ceiling the 3 locations where the holes will be drilled. And then remove the canopy.



5. Drill pilot holes in the ceiling with a 1/4 in (6.5mm) drill bit and push wall anchors into the holes.

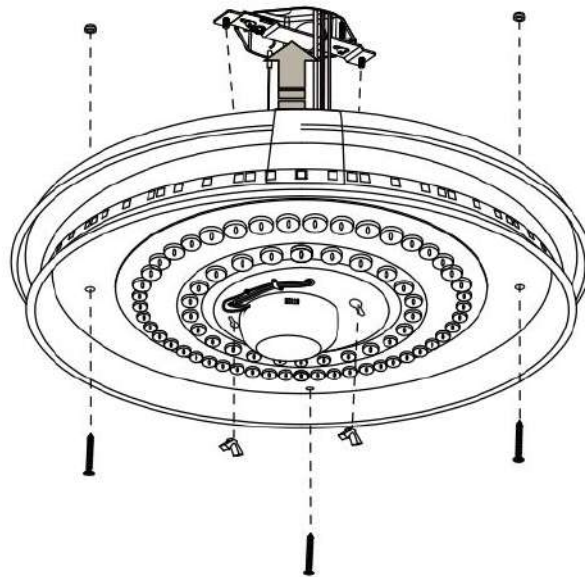


6. Connect the white wire from the light fixture to the white supply wire from the junction box using a wire connector. Connect the black wire from the light fixture to the black supply wire from the junction box using a wire connector. Connect the ground wire from the light fixture to the ground supply wire from the junction box using a wire connector.

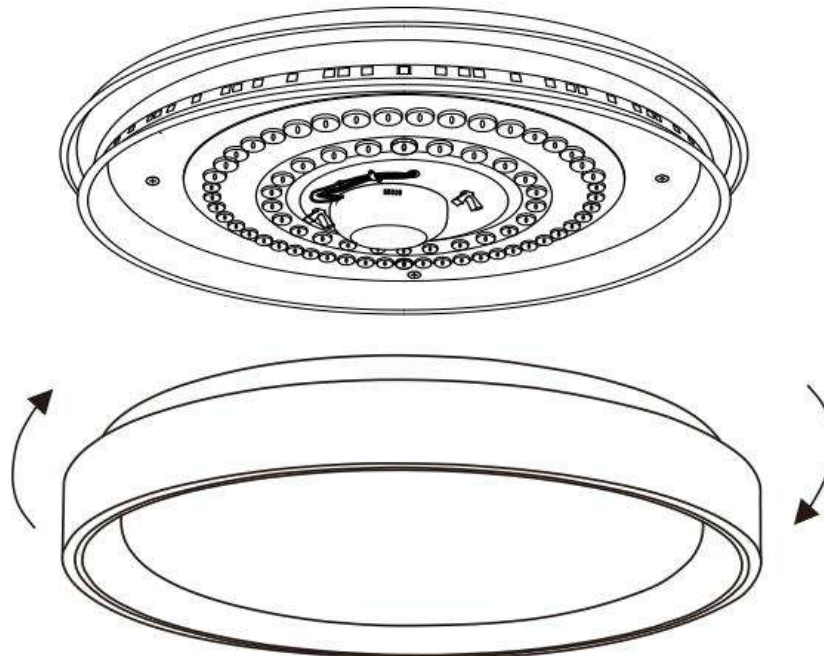


Warning:  
Risk of electrical shock!  
This product must be grounded!

7. Slowly place the wires in the connection box. Align the holes in the base of the luminaire with the mounting bracket screws. Tighten the butterfly screws to fix the light fixture to the ceiling and fasten the 3 retaining screws into the wall anchors.



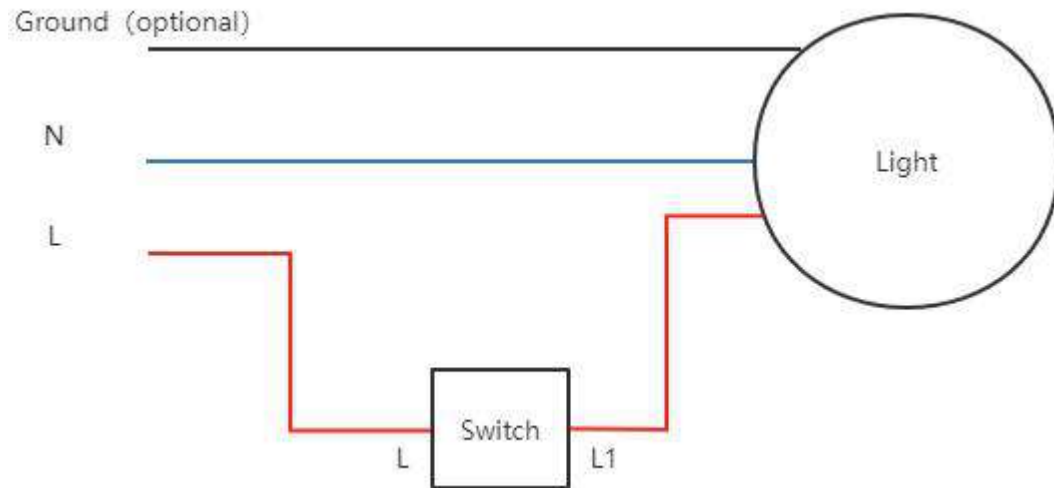
8. Hold both sides of the lampshade with both hands, align the base and gently buckle it in, rotate the lampshade clockwise to make it firmly installed with the base, and the installation of the ceiling lamp is completed.



\* CAUTION: For safety, there is no risk of falling! After completing the installation, please shake the lampshade left and right to ensure the firmness of the ceiling lamp.

## Device Installation

### 1、 Wall Switch (No Neutral)



### 2、 Wall Switch (With Neutral)

