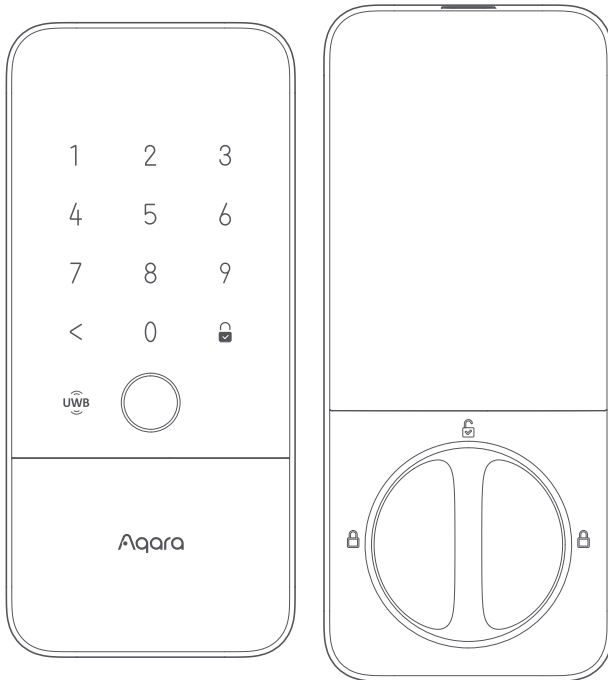


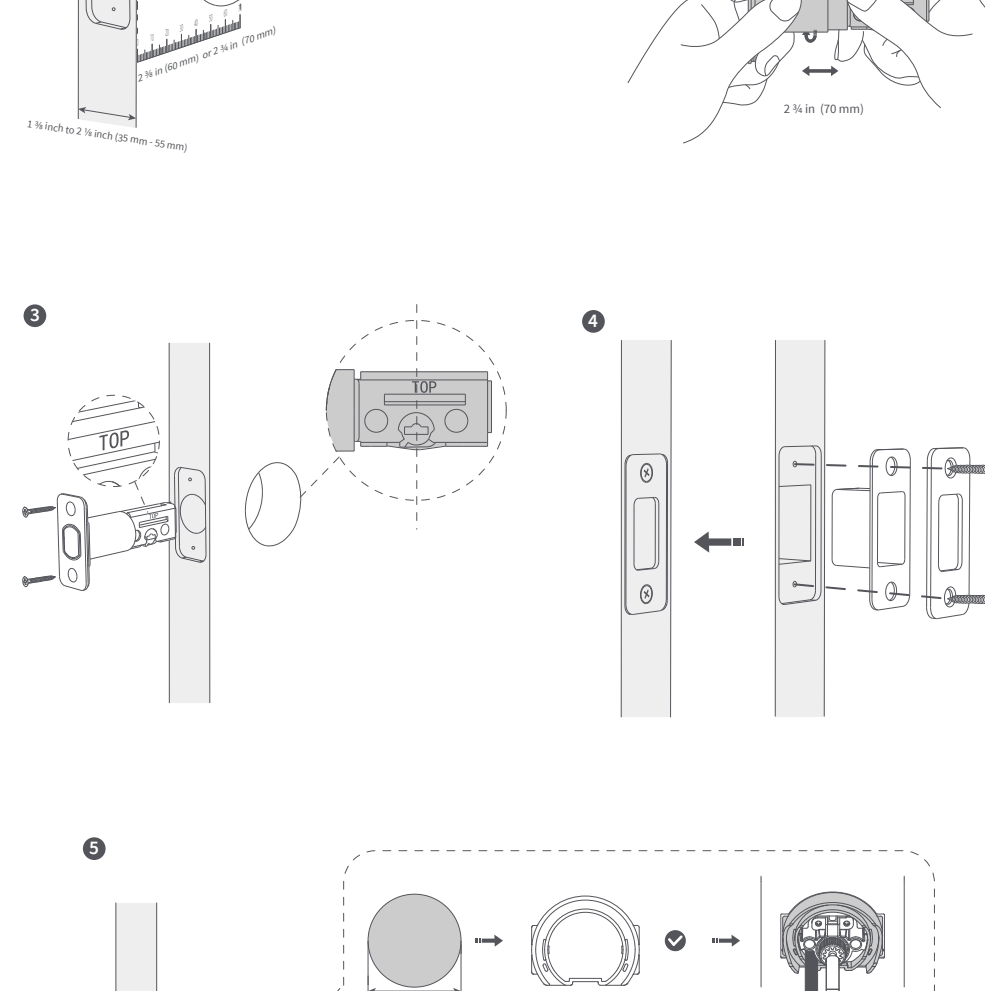
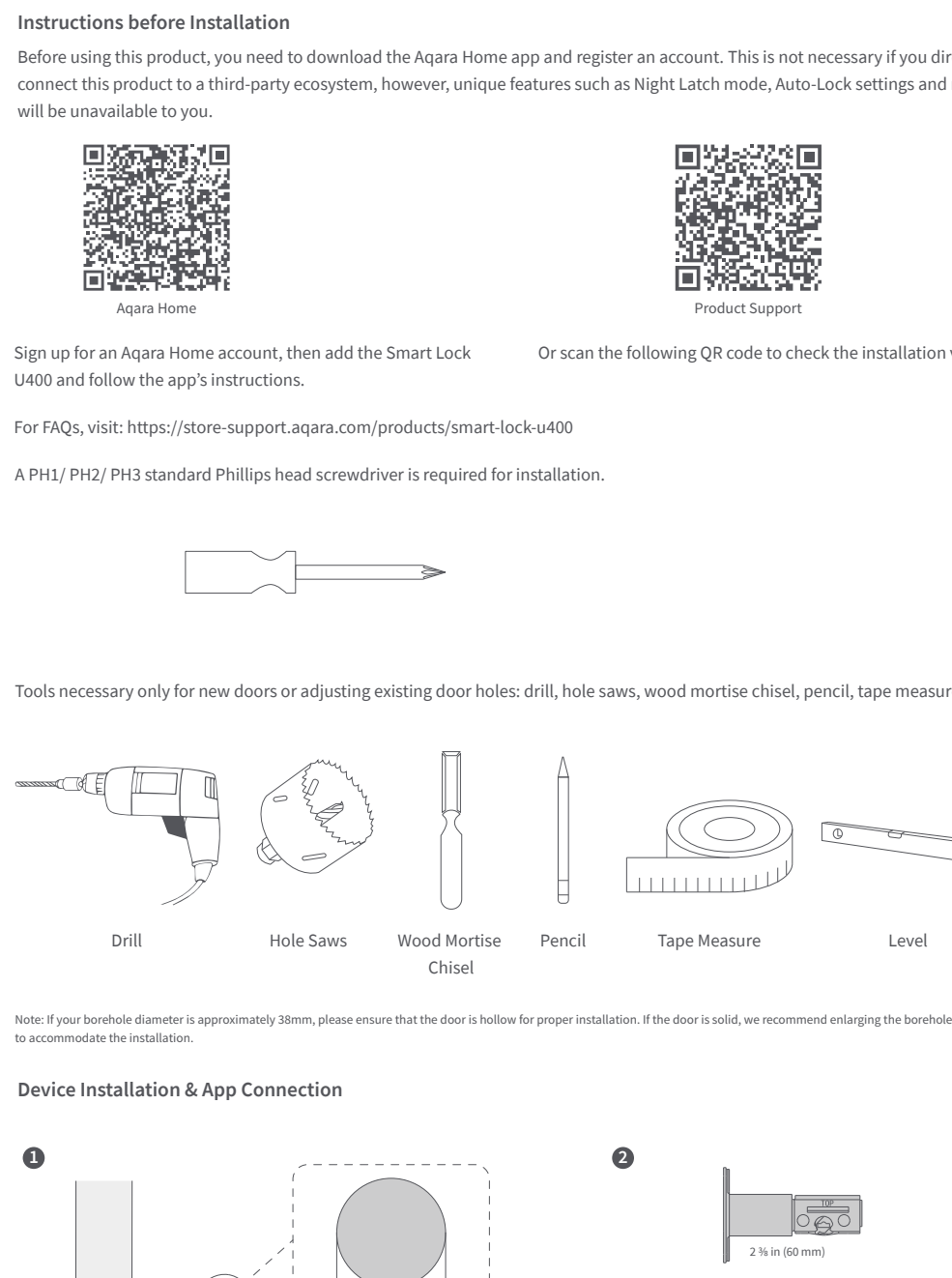
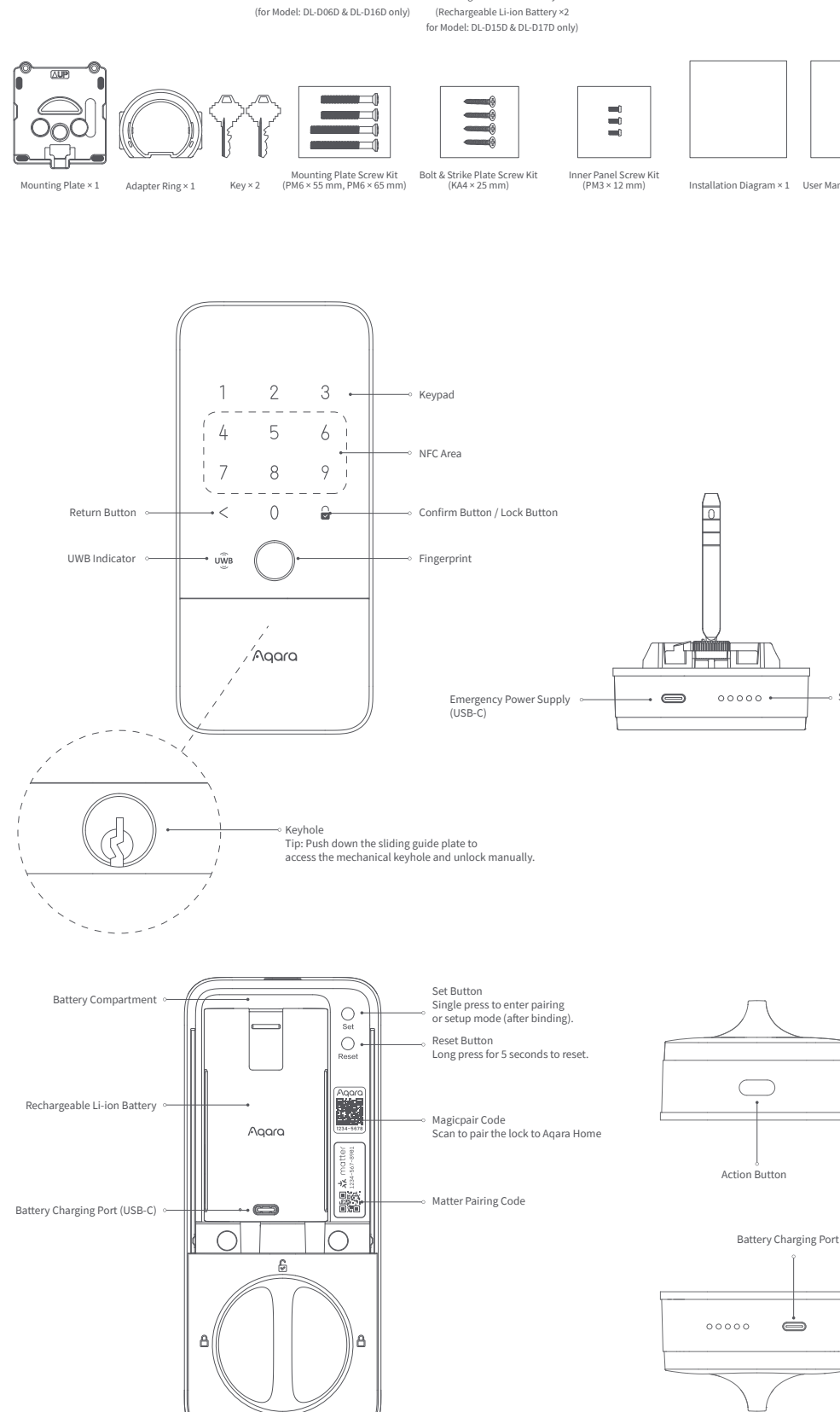
Aqara



Product Introduction

Powered by advanced Ultra-Wideband (UWB) technology, the Aqara Smart Lock U400 transforms your phone into a proximity-based digital key. No taps, no codes—just approach, and the lock verifies your presence in real time, unlocking with pinpoint accuracy.

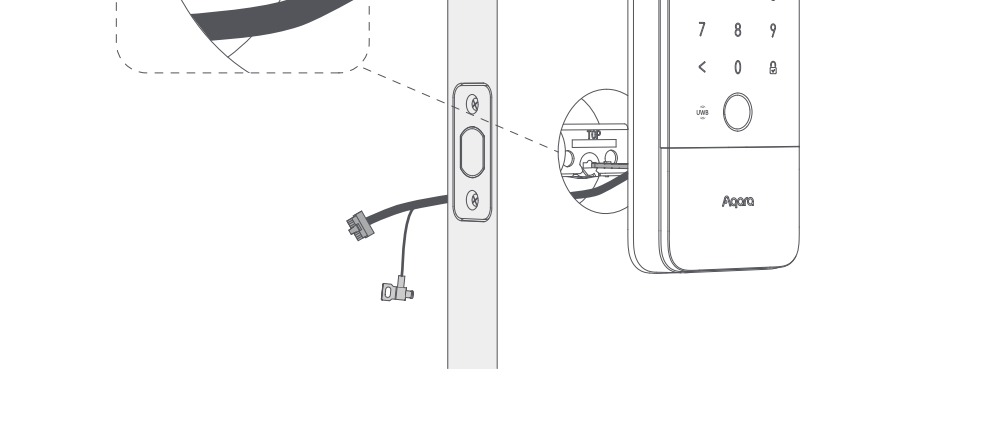
What's in the Box



Note: 1. For emergency charging the door lock, we recommend using a power bank to supply power via the Emergency Power Supply (USB-C) port on the front panel. 2. It is not recommended to continuously power the device via the battery Charging Port on the inner panel during normal use.

Instructions before Installation

Before using this product, you need to download the Aqara Home app and register an account. This is not necessary if you directly connect this product to a third-party ecosystem, however, unique features such as Night Latch Mode, Auto-Lock settings and more will be unavailable to you.



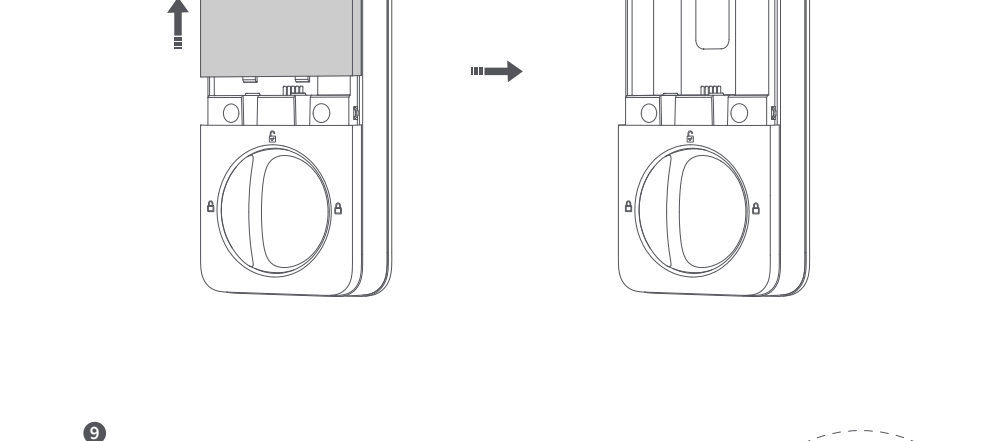
Sign up for an Aqara Home account, then add the Smart Lock U400 and follow the app's instructions. Or scan the following QR code to check the installation video U400 and follow the app's instructions.

For FAQs, visit: <https://store-support.aqara.com/products/smart-lock-u400>

A PH1/ PH2/ PH3 standard Phillips head screwdriver is required for installation.



Tools necessary only for new doors or adjusting existing door holes: drill, hole saws, wood mortise chisel, pencil, tape measure, level



Note: If your borehole diameter is approximately 38mm, please ensure that the door is hollow for proper installation. If the door is solid, we recommend enlarging the borehole to 54mm to accommodate the installation.

Device Installation & App Connection

