



Maestri House

Electric Gooseneck Kettle *Instruction Manual*



Model: MTS-0902-D05

CONTENTS

SAFETY PRECAUTION	2
KNOW YOUR MAESTRI HOUSE GOOSENECK KETTLE	5
FEATURE FUNCTION OF MAESTRI HOUSE GOOSENECK KETTLE	7
OPERATING YOUR MAESTRI HOUSE GOOSENECK KETTLE	9
HINTS & TIPS	15
CARE & CLEANING	17
DISCARD & RECYCLE	19
CUSTOMER SUPPORT	21



Maestri House

SAFETY

PRECAUTION

SAFETY PRECAUTION

Please read the instructions carefully before using this kettle. Please keep this manual properly for future reference.



Warning:

- This kettle must be grounded.
- Do not immerse the base of this kettle in water or other liquids to avoid internal short circuits.
- Do not operate the damaged gooseneck kettle (including the damaged power cord).
- Do not touch live electrical parts.
- This kettle can only be operated through a professionally installed socket to supply the correct voltage.
- Do not let the main electric wire hang loosely, or touch/move the plug with wet hands, do not place the plug on the surface of a hot object, and do not let it contact with oil.



Unplug the kettle under the following conditions:

- After each use / When the product is not used / Before replacing accessories or cleaning the kettle base.
- When the kettle is in use, please do not touch the metal part and shell of the kettle to avoid scalding.
- Do not operate the kettle with damaged electric wires or plugs. If the power cord is damaged, it must be replaced by the manufacturer, service agent, or similar professionals to prevent danger.
- This kettle complies with the Electromagnetic Compatibility Directive.



Since the kettle operator should be responsible for his own safety, unless they are supervised or trained, the following people (including children) should not operate the kettle:

- People with physical disorders;
- People with poor perception;
- People with unsound minds;
- People lack of professional technical knowledge.



Children should not be allowed to play with the kettle.



Do not operate the kettle outdoors or on an uneven surface.

SAFETY PRECAUTION



The liquid volume cannot exceed the volume scale in the cup, otherwise it will overflow.



Don't let it work when the rated voltage is exceeded.



Do not touch the kettle while it is boiling.



Do not insert any objects or fingers into the gap of the kettle.



The kettle can only be used with the supporting base.



This kettle is most suitable for domestic use, not recommended for commercial and industrial use.



Preparation before use:

- Carefully open the packaging box, save all the packaging materials inside, take out the kettle and plug in the power to check whether the gooseneck kettle can work normally, and carefully read the instructions and check whether the accessories are complete. Please clean the gooseneck kettle body before using it for the first time, and remove dust or production residues according to the cleaning and maintenance regulations.

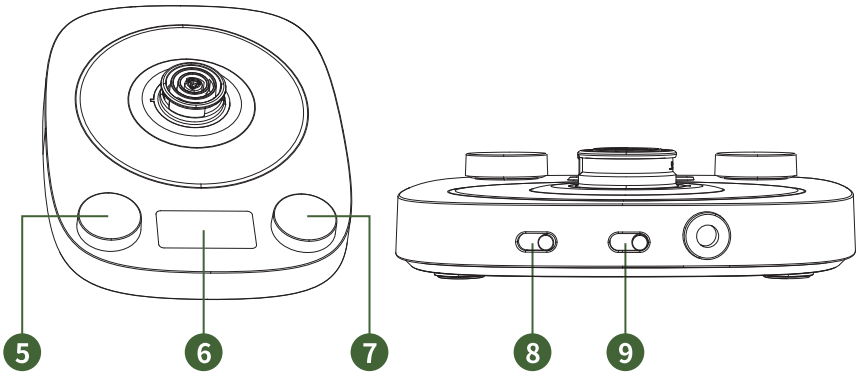
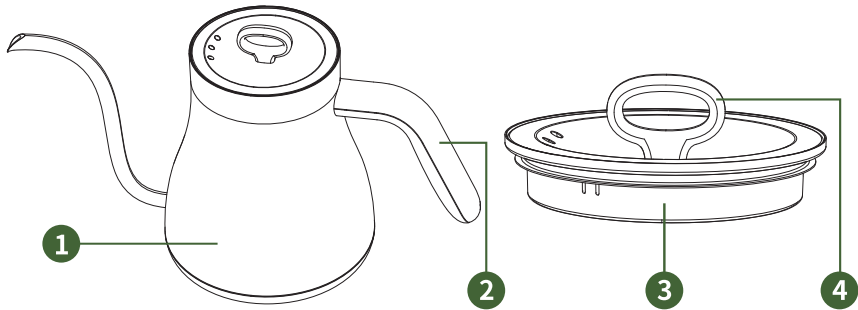


KNOW

**YOUR MAESTRI HOUSE
GOOSENECK KETTLE**

Maestri House

KNOW YOUR MAESTRI HOUSE GOOSENECK KETTLE



1 Body

3 Lid

5 Heat preservation switch knob

7 Water boiling switch knob

9 Child Lock Switch

2 Kettle Handle

4 Lid Handle

6 Display

8 Buzzer Switch



FEATURE FUNCTION

OF MAESTRI HOUSE
GOOSENECK KETTLE

Maestri House

FEATURE FUNCTION OF MAESTRI HOUSE GOOSENECK KETTLE

- Capacity: Max 0.95L
- Capacity: Min 0.5L
- Electrical Parameters:
American Standard: 120V Rated power: 1200W Frequency: 60Hz;
Note: This product is either American standard or European standard. It's NOT universal.
- The slender spout is convenient for brewing coffee;
- The sub-black plastic electronic base is high-grade and easy to operate;
- The lid is made of plastic and inner steel to prevent it scald hands;
- Manual cover-opening design is flexible and durable;
- Using STRIX-68 (C68, U68) connectors with double protection against overheating and power failure;
- The NTC temperature sensor is used to automatically measure the water temperature and sense the jump system;
- The electronic display screen is used to display temperature, time, icons, etc.;
- Set any target temperature to automatically boil water; in the heat preservation mode, set the target temperature arbitrarily within the range of 30° to 100° for heat preservation, and the default heat preservation time is 60 minutes; in non-heat preservation mode, if there is no operation 3 minutes after the water is boiled, it will enter the standby mode;
- After the work is completed, the difference between the set temperature and the actual water temperature is $\pm 2^{\circ}\text{C}$. (above 500ML water level)
- Menu-style selection of temperature display units in degrees Celsius or Fahrenheit to adapt to the habits of different regions;
- Menu-type selection of beep tone on/off to adapt to different user needs;
- The menu selection enters time-counting, which is convenient for novices to learn to brew coffee or tea;
- The base has a child lock and a heat preservation switch;
- The kettle body and the power base are designed separately, with 360° free rotation without block;



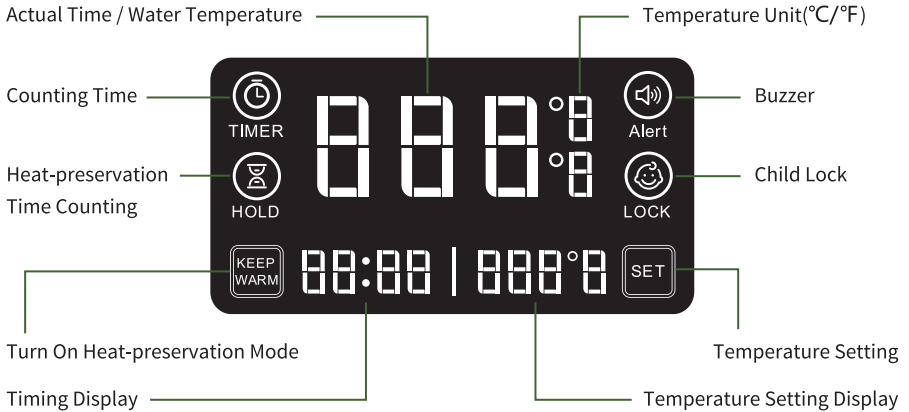
OPERATING

**YOUR MAESTRI HOUSE
GOOSENECK KETTLE**

Maestri House

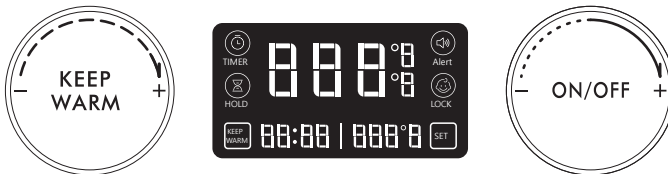
OPERATING YOUR MAESTRI HOUSE GOOSENECK KETTLE

Icons of corresponding function



Normal Mode

The left knob is the heat preservation switch knob, and the right knob is the water boiling switch knob



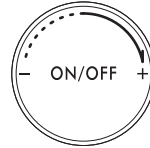
Power on interface of display screen

The display screen will light up when the power is on. Whether the buzzer is turned on or not, it emits a sound. After 0.5S, the default conventional water boiling mode will be displayed. The default setting of 212 F maximum temperature and the current real-time water temperature will be displayed at the same time. After 3 minutes of standby, the screen will automatically turn off and hibernate without any operation. After hibernation, any operation can wake up the display screen



OPERATING YOUR MAESTRI HOUSE GOOSENECK KETTLE

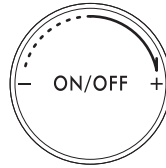
Click the switch button to turn on/off water boiling. When the button is turned on, the indicator light will light up. During water boiling, You can turn the knob to set the desired temperature, the temperature range is 86F-212F. When the temperature reaches the target temperature, the indicator light will turn off and water boiling will stop.



single click

When the water temperature reaches the default setting temperature, the indicator light turns off.

Timing function: In the Power-on state, long press the switch button 1.5S to start timing, the timing icon lights up, click the switch button again to reset the timing, long press 1.5S to exit timing, and the timing range is 00:00-59:59 (1 hour).



Press and hold the ON/OFF button for 1.5S to start timing

Heat preservation boiling mode

Heat preservation function: click the heat preservation button to turn on/off the heat preservation. The default heat preservation temperature is 205F, and the default duration of heat preservation is 1 hour.

Click the button to turn on the heat preservation mode. The indicator on the left will light up and start boiling water. The boiling mode will stop when the temperature reaches the set or default temperatures and start heat preservation mode. (or wait until the temperature drops to the set temperature to start heat preservation). During this period, you can turn the knob to set the heat preservation temperature. When the heat preservation mode ends, the indicator light will turn off, and the display screen will return to boiling mode. After 3 minutes, it will enter into sleep mode without operation.



Click KEEP WARM to turn on heat preservation boiling mode

OPERATING YOUR MAESTRI HOUSE GOOSENECK KETTLE

In the heat preservation mode, the heat preservation countdown begins, the HOLD and Keep Warm icons light up, and the default time is 01:00.

Long press the heat preservation button 1.5S to start the heat preservation time adjustment, and the minute numbers of the timer will be flashes. Rotate the knob left and right to adjust the heat preservation time. Each adjustment will change for 10 minutes, and the adjustment range will be 00:10-24:00 (after the time is adjusted, press the heat preservation button briefly to confirm the heat preservation time, or after 3s, the time cursor will stop flashing and automatically confirm, and exit the time setting).



Display screen interface when starting insulation, The left key indicator lights up

In the heat preservation state, if you are long press the switch button for 1.5s, the TIMER icon will display and start timing (when the heat preservation countdown and timing are used at the same time, the timing will be displayed first). Short press the switch button again to reset the timing. Long press the switch button for 1.5s to exit the timing, and continue to display the heat preservation countdown.



Dry burn protection

When the kettle body is in the state of boiling water, the abnormal display of high temperature during dry burning is E01, and it can be restored to normal by re energizing after cooling



OPERATING YOUR MAESTRI HOUSE GOOSENECK KETTLE

Dial switch

Two toggle switches control buzzer on/off and child lock on/off respectively



Buzzer, child lock open display screen display status

After the child lock is opened, all operations will be invalid to avoid the danger caused by children's curiosity. The control only can be carried out when the child lock is released.



Buzzer, child lock closed, display status

Temperature switching

Click the left and right knobs at the same time to switch the temperature unit F/C, and the LCD displays the real-time operation



OPERATING YOUR MAESTRI HOUSE GOOSENECK KETTLE

Pot lifting effect

If you are grabbing the kettle, the display screen displays ---. After the kettle back in, it returns to the previous display state. If the kettle has not been back into the base for 15 minutes, The display screen automatically stops and goes to sleep mode. After sleep, any operation can activate the operation interface



Display interface after lifting the kettle under the condition of heat preservation and ordinary boiling



HINTS & TIPS

Maestri House

HINTS & TIPS

The following tips will help you make better coffee.

- Ground coffee powder and put it on the drip rack.
- Using the heat preservation mode, the default boiling water temperature is 205F. After the water is boiled, it enters the heat preservation state, and the water temperature is kept in the temperature range of 205°F±2°F.
The ideal brewing temperature for coffee is 196°F-202°F, which does not weaken the taste of coffee while increasing the flavor of coffee, and does not have to wait too long to drink coffee.
- Please place the kettle in a safe place to avoid scalding children because the temperature of the kettle will be relatively high after boiling water.
- It should be cleaned up in time after each use, and the water vapor or water quality on the surface should be dried with a dry towel.



CARE & CLEANING

Maestri House

CARE & CLEANING

Before cleaning, please separate the body from the base. Do not soak the body and base in water. Please separate the body and base and wipe them with a cleaning cloth as follows:

Base:

Gently wipe the plastic part of the base with a soft towel, and then dry it with a dry towel. Do not wipe the base with a wet towel to prevent water from penetrating into the interior.

Lid:

Remove the lid from the body of the cup and wash it in a dishwasher or directly with water.

Kettle body:

Gently wipe the cylindrical hardware part of the kettle body with a soft wet towel. Do not use hard cleaning tools such as strong cleaners, hard nylon brushes or metal brushes to scrub the body part of the kettle, so as not to scratch the surface of the cup body.



DISCARD & RECYCLE

Maestri House

DISCARD & RECYCLE



Destroy packaging in accordance with local waste regulations. Cardboard and paper are classified as recycled paper, and platinum is classified as resource recovery (potentially recyclable). This product cannot be directly treated as domestic waste after being scrapped, but must be sent to a recycling site dedicated to recycling electronic products. This product has been shown in the instructions and packaging that it cannot be put into the garbage can (marked × on the garbage can, see above).

For the problem of how to deal with waste kettles, please consult the local recycling station (the old equipment recycling point of the municipal government processing point). According to the label, all materials are reusable. Whether you use material recycling or other forms of recycling aging equipment, you are contributing to the protection of the environment.

CUSTOMER SUPPORT

Thank you for purchasing Maestri House home appliances.
Please do not hesitate to contact us if you need any help.

Our Emails:
support@maestrihouse.com