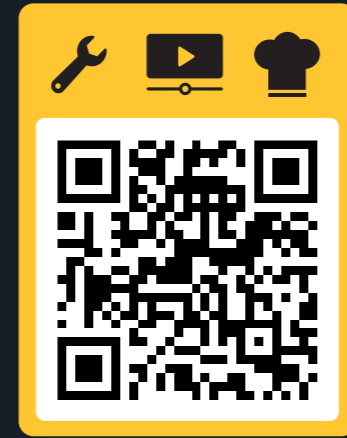




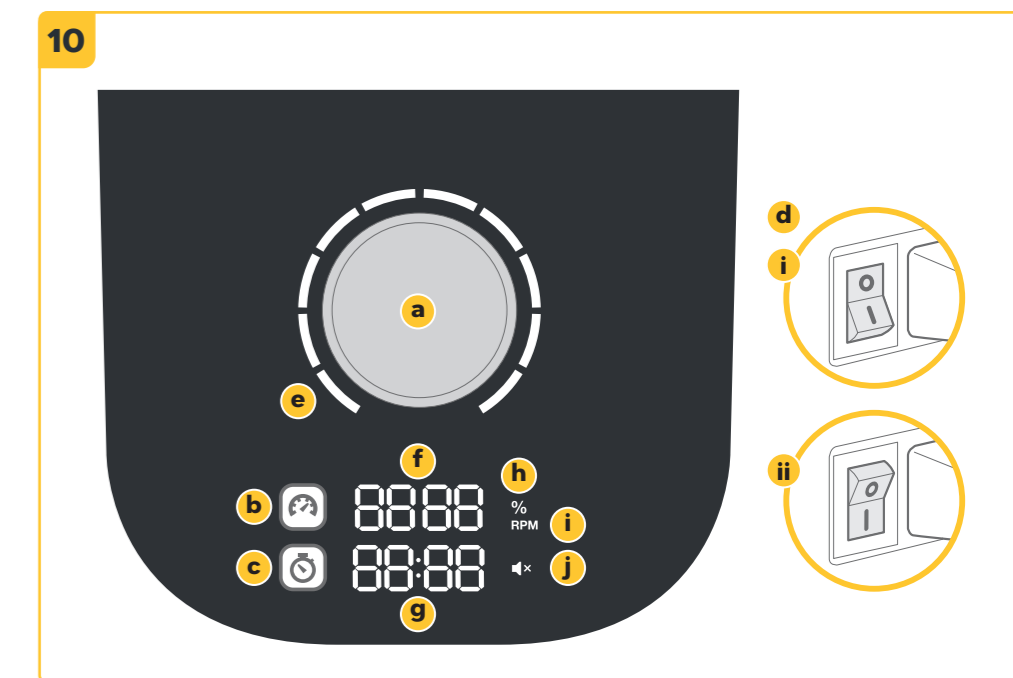
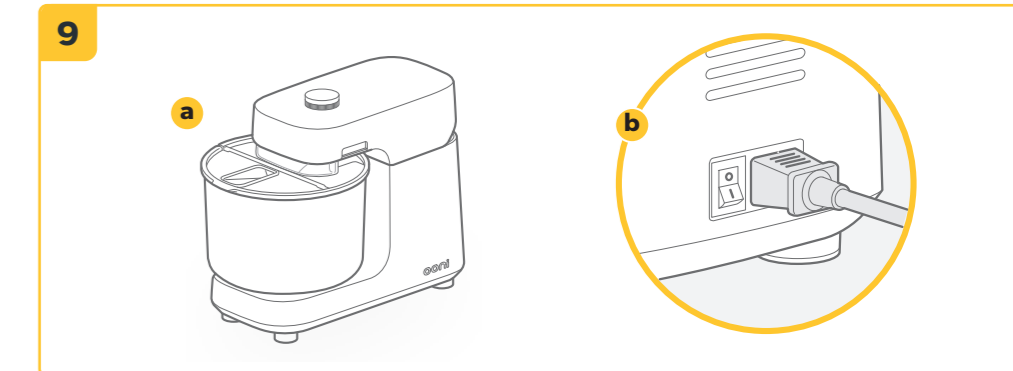
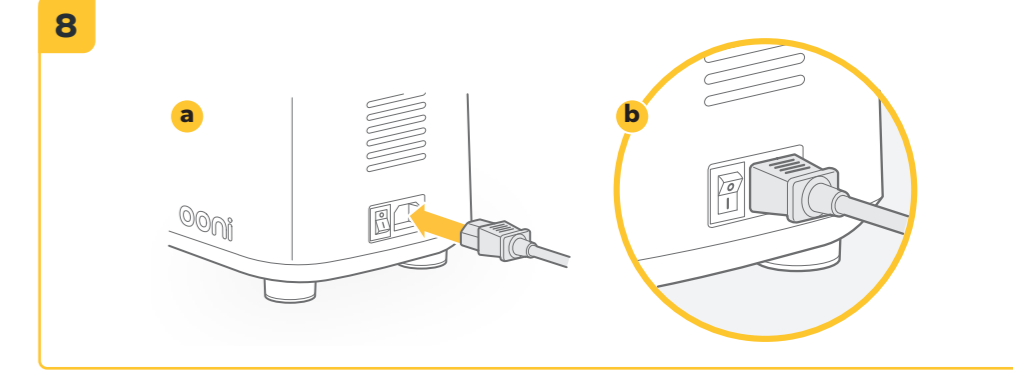
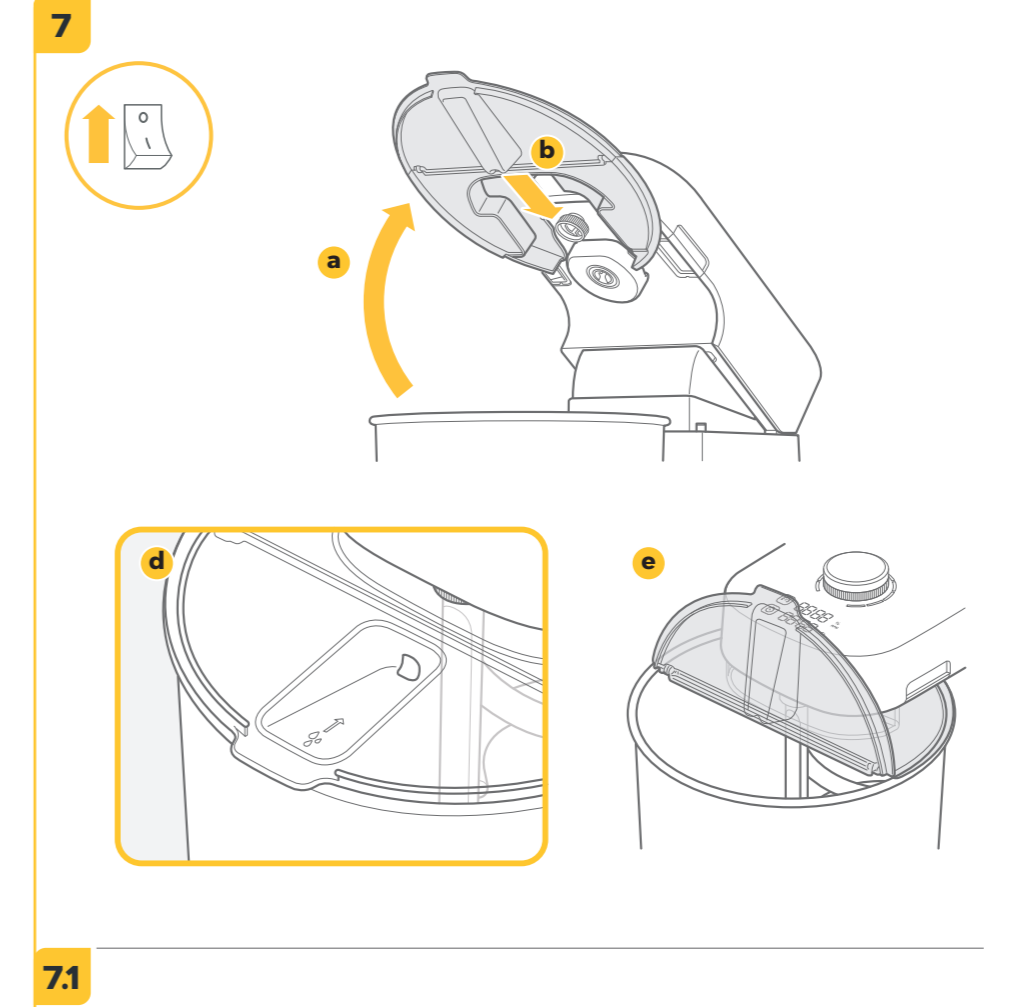
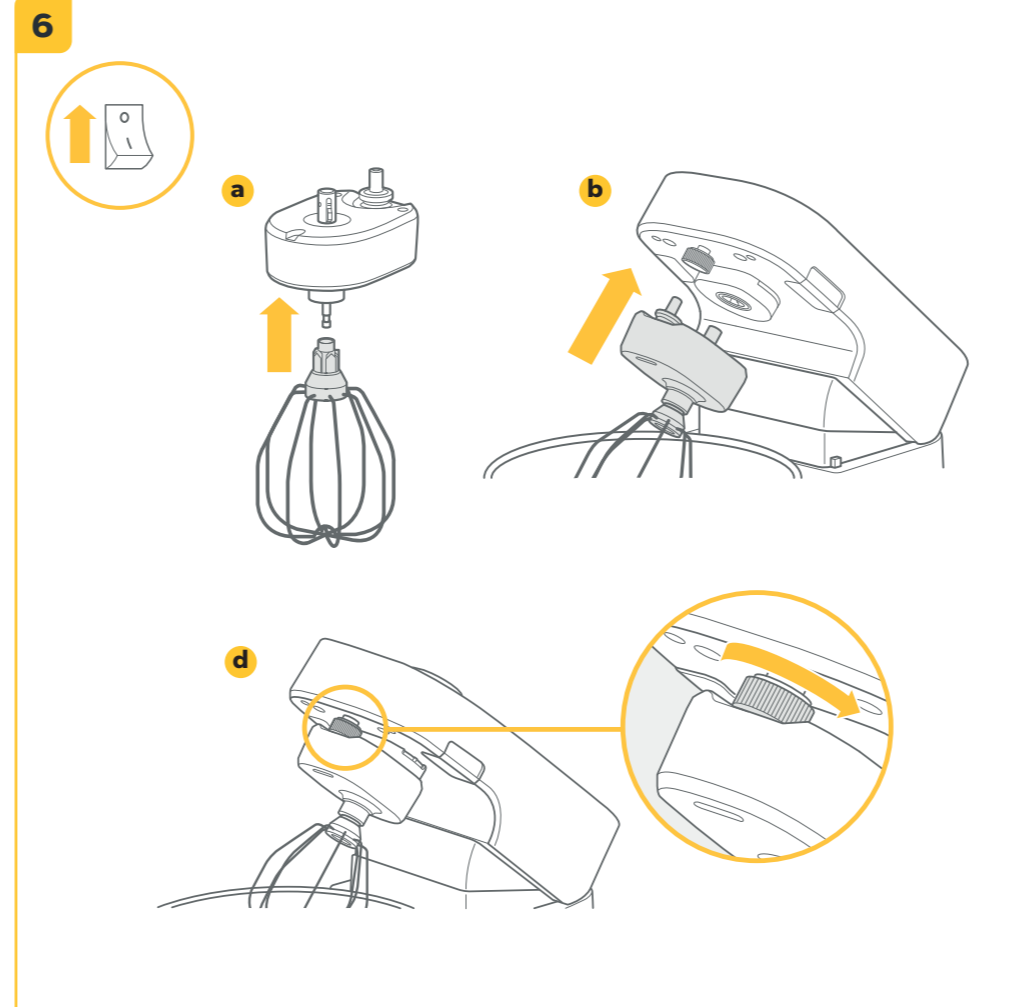
Halo Pro Spiral Mixer

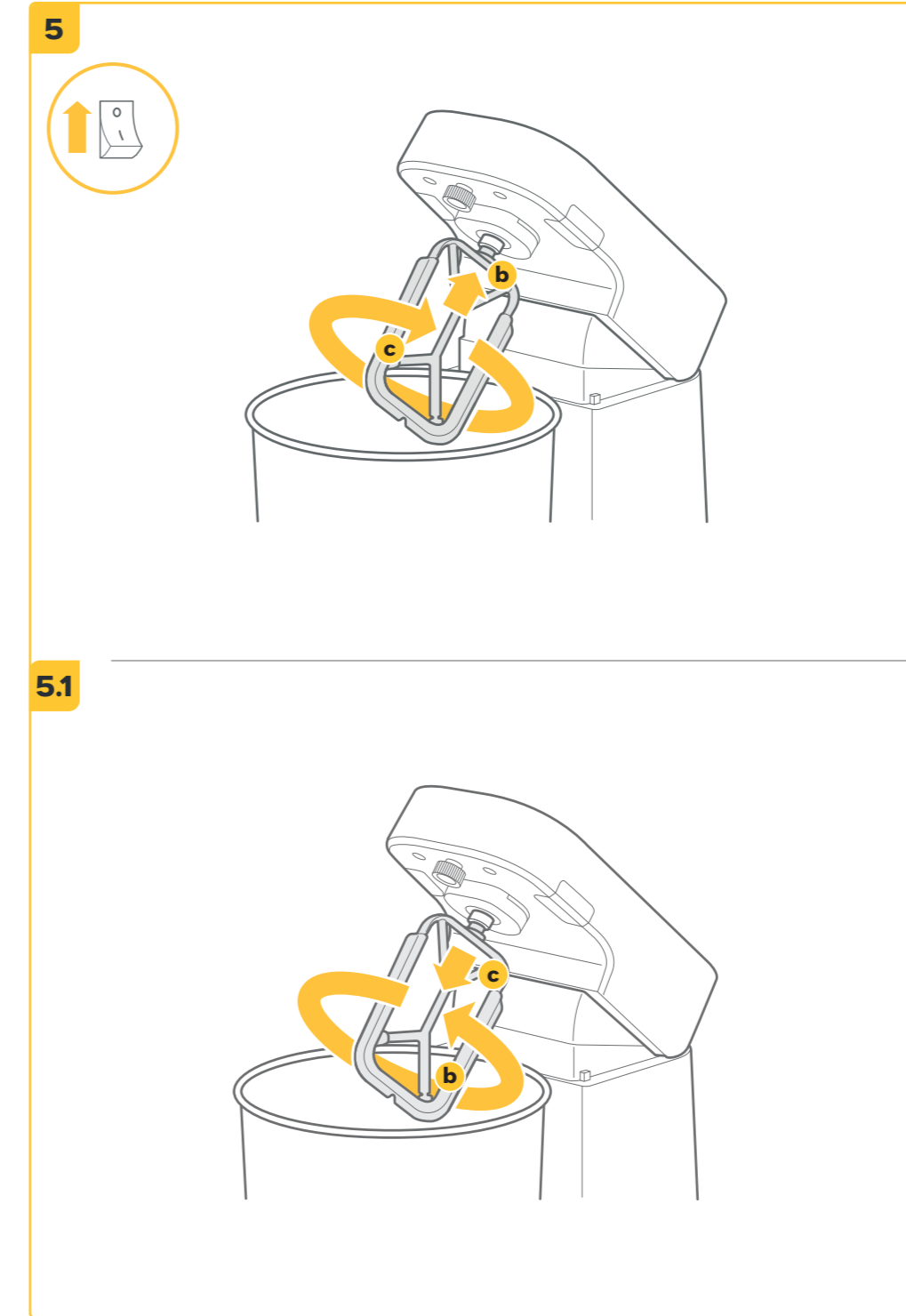
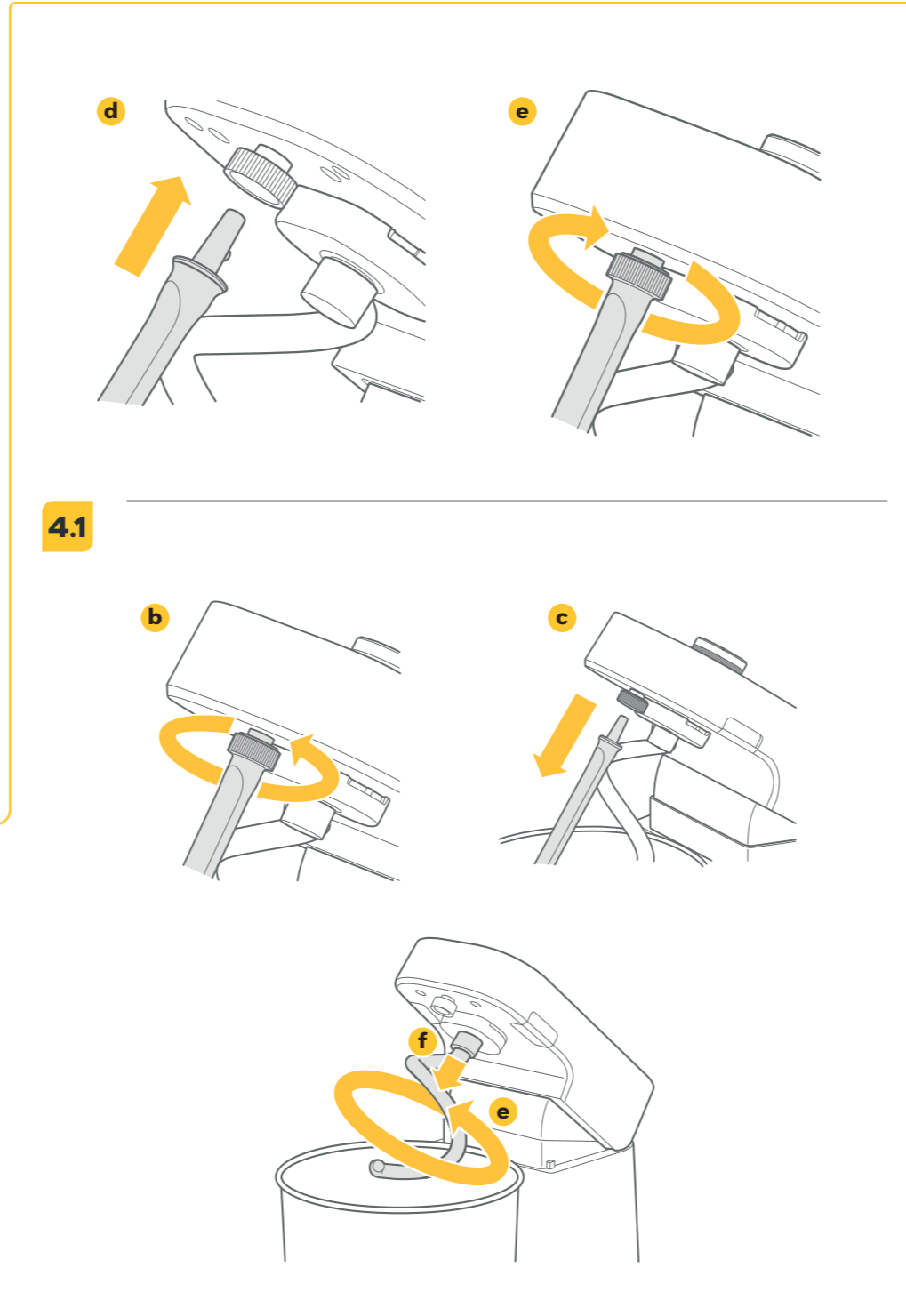
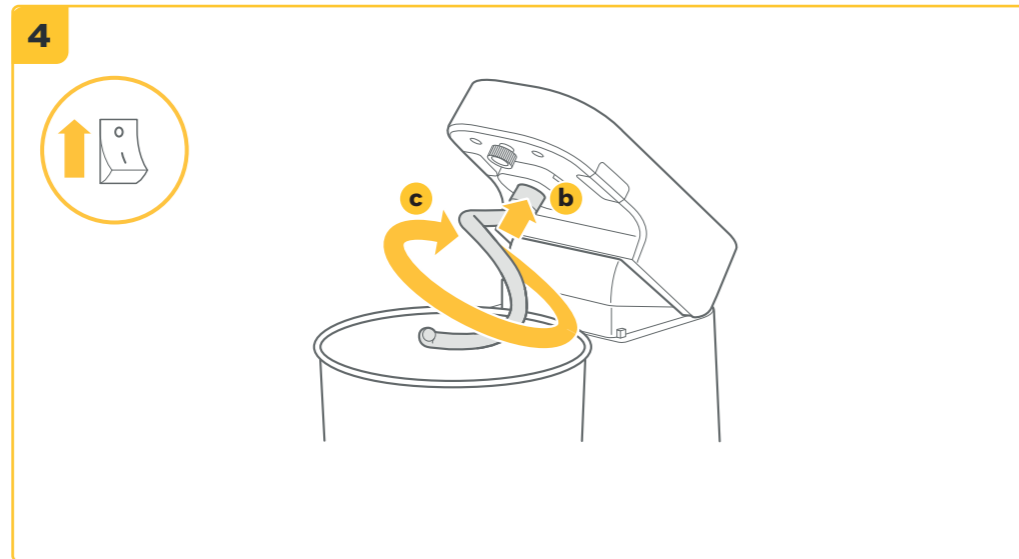
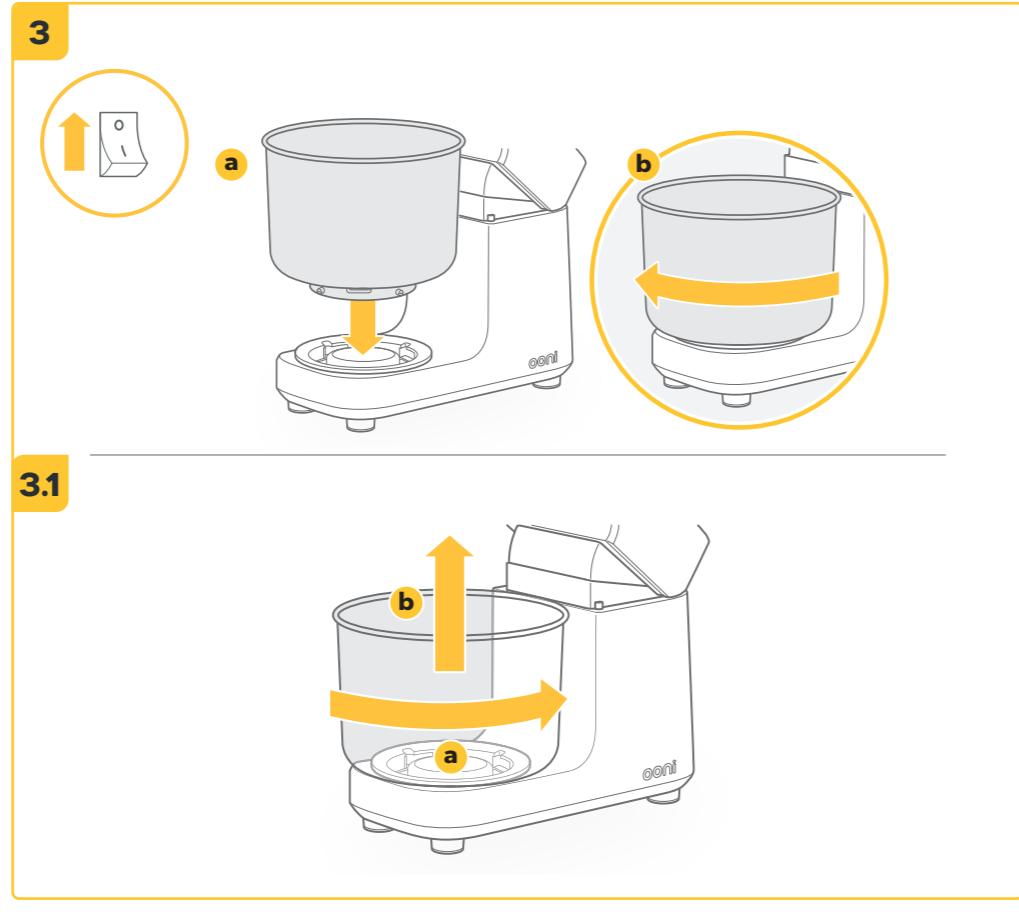
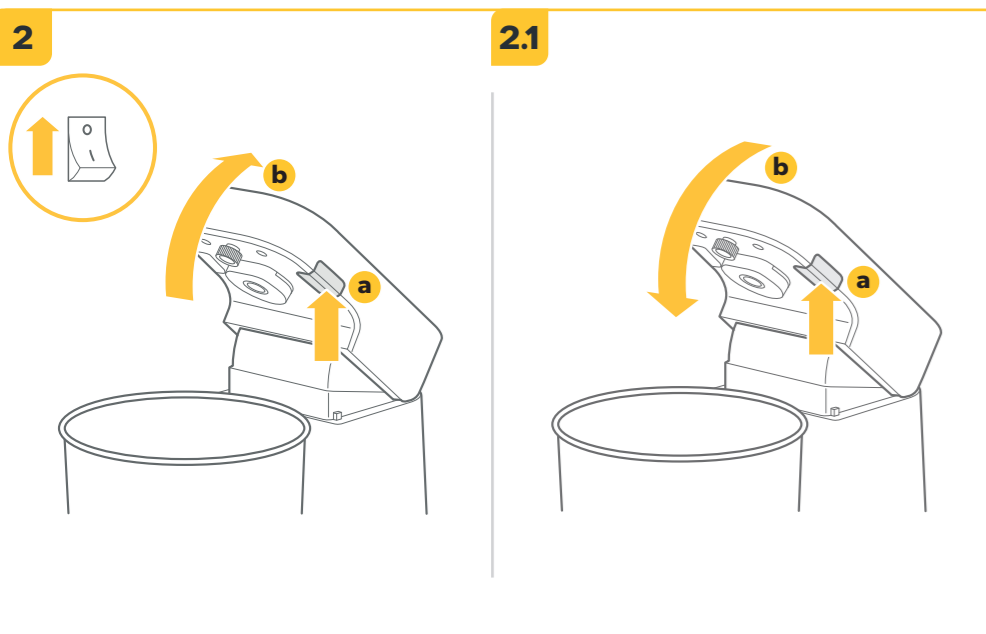
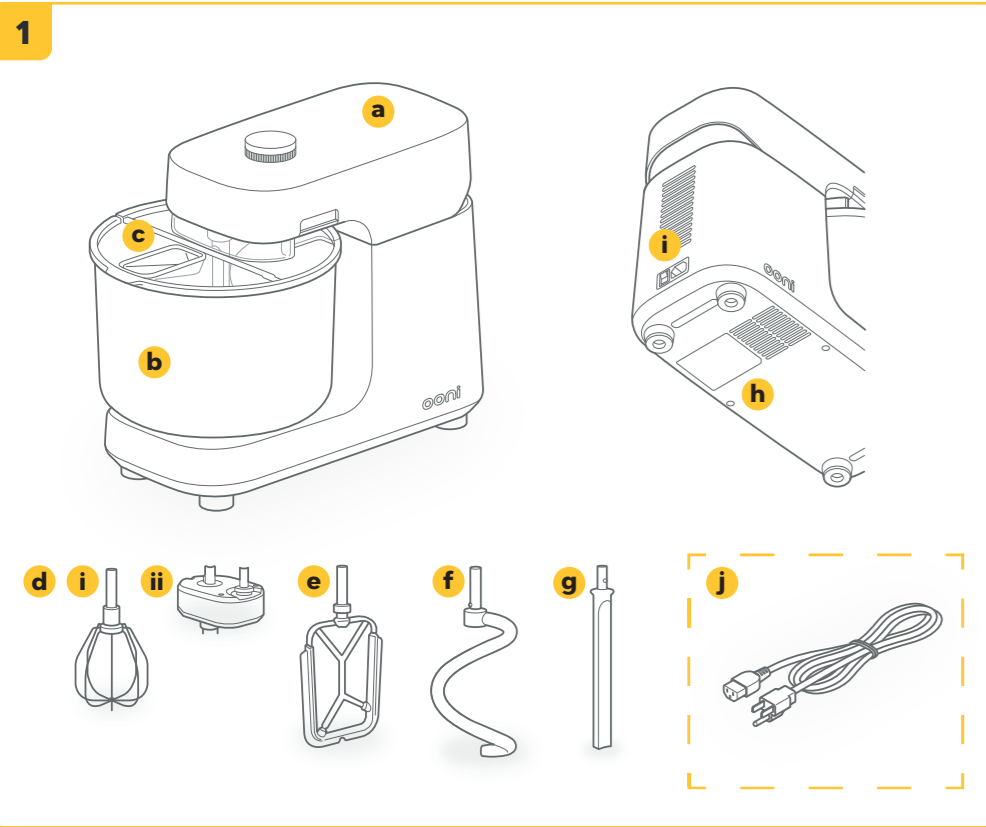
Assembly Instructions & Safety Manual

Start here
Starte hier
Commencer ici



ooni.com/halo-pro





Contents

English.....	2
Dansk.....	8
Deutsch.....	14
Español.....	20
Français.....	26
Italiano.....	32
Nederlands.....	38
Norsk.....	44
Português.....	50
Suomi.....	56
Svenska.....	62

IMPORTANT SAFEGUARDS

When using electrical appliances, basic safety precautions should always be followed including the following:

Read all instructions.

This appliance is intended for domestic use only. Do not use in an industrial, commercial or similar environment.

To protect against risk of electrical shock do not put the appliance in water or other liquid. Take care with liquids and avoid spilling onto the mixer.

Appliances can be used by persons with reduced physical, sensory or mental capabilities or lack of experience and knowledge if they have been given supervision or instruction concerning use of the appliance in a safe way and if they understand the hazards involved.

Warning: Misuse may cause potential harm.

This appliance shall not be used by children. Keep the appliance and its cord out of reach of children.

Children should be supervised to ensure that they do not play with the appliance.

Turn the appliance OFF, then unplug from the outlet when not in use, before assembling or disassembling parts and before cleaning. To unplug, grasp the plug and pull from the outlet. Never pull from the power cord.

Avoid contacting moving parts. Keep hands, hair, clothing, as well as spatulas and other utensils away from the mixer attachments during operation to reduce the risk of injury to persons, or damage to the mixer. Do not attempt to defeat any safety mechanisms.

Do not operate any appliance with a damaged cord or plug or after the appliance malfunctions, or is dropped or damaged in any manner. Contact Ooni customer service for information on examination, repair, or adjustment.

Do not let cord hang over edge of table or counter.

Care shall be taken when handling the attachments, emptying the bowl and during cleaning.

Only use attachments and bowl provided with the appliance. The use of attachments not recommended or sold by the manufacturer may cause fire, electric shock, damage to the product or injury.

Do not use outdoors.

Clean attachments after each use. Remove attachments from the appliance before washing. Clean attachments and bowl with warm soapy water. Remove excess ingredients from the bowl and attachments before washing.

Attachments and bowl are dishwasher safe, except for the gearbox. Do not put the gearbox in water or other liquids.

Take care when lifting the appliance. Do not lift the appliance from the mixer head. Use hand holds at the front and rear of the appliance.

Caution: In order to avoid a hazard due to inadvertent resetting of the thermal cut-out, this appliance must not be supplied through an external switching device, such as a timer, or connected to a circuit that is regularly switched on and off by the utility. Keep fingers away from the hinge when lowering the mixer head.

Do not put hands in the gap between the bowl and the mixer.

Do not use mixer when bowl is not fitted to the appliance. Only use the appliance after ingredients are added.

It is recommended that the splash guard is used during all mixing.

Only use the Breaker Bar attachment with the Spiral Dough Hook attachment. Do not use the Silicone Beater with the Breaker Bar attachment.

Do not disassemble product.

The appliance must be used on a flat, even surface.

The appliance must be positioned with enough distance from the wall so not to add strain to the power cable.

Only connect the appliance to a standard power socket that corresponds to the voltage indication on the appliance.

SAVE THESE INSTRUCTIONS

Assembly and user instructions

Clean all attachments before first use. See Care and Maintenance for details.

1 What's in the box:

- | | |
|----------------------------------|----------------------------|
| a. Ooni Halo Pro Spiral Mixer | e. Silicone Beater |
| b. Bowl | f. Spiral Dough Hook |
| c. Clear splash guard with spout | g. Breaker Bar |
| d. Geared Whisk | h. Serial number |
| i. Whisk | i. Power switch |
| ii. Gearbox | j. Plug (region dependent) |

2 To open mixer head

- 1 Turn power off at the power switch and unplug from the outlet before changing attachment.
 - a. Push the left or right head release button up to unlock.
 - b. Tilt the head upwards until it is locked in position.

2.1 To close mixer head

- a. Push the left or right head release button up to unlock.
- b. Push head downwards until it locks into place.

3 Attaching the bowl

- 1 Turn power off at the power switch and unplug from the outlet before changing attachment.
- 1 Do not spin/activate mixer with bowl not in place.
 - a. Open the mixer head.
 - b. Place bowl onto bowl base, aligning to the slots.
 - c. Rotate the bowl clockwise until it locks.

3.1 Removing the bowl

- a. Open the mixer head.
- b. Rotate bowl counterclockwise to unlock.
- c. Lift bowl upwards to remove from bowl base.

Attachment Guide

Attachment	Mixing	Minimum Capacity	Maximum Capacity	Operating Times	Operating Speeds
Spiral Dough Hook and Breaker Bar	Yeast dough	1kg total with maximum 640g flour	5kg total with maximum 3200g flour	0-20 mins	5-100%
Silicone Beater	Batter and non-yeast dough	1kg	4kg	0-15 mins	5-100%
Geared Whisk	Liquids	300ml	2000ml	0-10 mins	5-100%

The 60 minute timer function can be used to time both operating times and rest periods in the mixing process. Please refer to the Attachment Guide table for all operating times.

4 Attaching the Spiral Dough Hook and Breaker Bar

- ❗ Turn power off at the power switch and unplug from the outlet before changing attachment.
- ❗ Ensure both the Spiral Dough Hook and Breaker Bar are properly connected and secure before turning on power.
- ❗ Only use the Breaker Bar with the Spiral Dough Hook.
 - a. Open the mixer head.
 - b. Insert the Spiral Dough Hook into the attachment point.
 - c. Turn Spiral Dough Hook clockwise until it locks.
 - d. Attach the Breaker Bar into the front attachment point by aligning the pin and inserting the Breaker Bar. The alignment pin should be pointed away from you.
 - e. Push and hold the Breaker Bar up while tightening the nut.
 - f. Twist until nut can no longer move and the Breaker Bar can no longer wobble.

4.1 Detaching the Spiral Dough Hook and Breaker Bar

- a. Open the mixer head.
- b. Hold the Breaker Bar while twisting the nut to the left.
- c. Twist until nut is loose and pull the Breaker Bar down.
- d. Remove Breaker Bar from the front attachment point.
- e. Turn Spiral Dough Hook clockwise fully until it unlocks.
- f. Remove the Spiral Dough Hook from the attachment point.

5 Attaching the Silicone Beater

- ❗ Turn power off at the power switch and unplug from the outlet before changing attachment.
- ❗ Ensure the Silicone Beater is properly connected and secure before turning on power.
- ❗ Do not use the Silicone Beater with the Breaker Bar.
 - a. Open the mixer head.
 - b. Insert the Silicone Beater into the attachment point.
 - c. Turn Silicone Beater counterclockwise until it locks.

5.1 Detaching the Silicone Beater

- a. Open the mixer head.
- b. Turn Silicone Beater clockwise until it unlocks.
- c. Remove from attachment point.

6 Attaching the Geared Whisk

- ❗ Turn power off at the power switch and unplug from the outlet before changing attachment.
- ❗ Ensure the Geared Whisk is fully connected and not wobbling before turning on power.
 - a. Insert whisk into the gear box.
 - b. Open the mixer head.
 - c. Insert drive shaft into attachment point and the locking shaft into the locking point.
 - d. Tighten the nut until it can no longer move.

6.1 Removing the Geared Whisk

- a. Open the mixer head.
 - b. Loosen the nut.
 - c. Remove drive shaft from attachment point and locking shaft from the locking point.
 - d. Remove whisk from gearbox.
- ❗ The gearbox is not dishwasher safe and should not be submerged in water. Store in a cool dry place when not in use.

7 Attaching the splash guard

We recommend that the splash guard is used at all times to prevent ingredients from splashing out of the bowl.

- ❗ Turn power off at the power switch and unplug from the outlet before changing attachment.
 - a. Open the mixer head.
 - b. Push the splash guard under the head, making sure the top surface of the guard is flush with the bottom surface of the mixer head.
 - c. Close the mixer head.
 - d. Use the splash guard funnel to slowly funnel water into the center of the dough.
 - e. Use the splash guard opening to add ingredients during the mix.

7.1 Removing the splash guard

- a. Open the mixer head.
- b. Pull the splash guard away from the mixer to remove.

8 Connecting to power

- a. Remove cable tie, insert correct power cord into the back of the mixer, plug into the outlet and turn on the power.
- b. Set switch to the on position.

9 Switching off

- a. Ensure the mixer has fully stopped before switching off.
- b. Turn power off at the power switch and unplug from the outlet.

10 Button Overview

- Control Dial
- Speed Button
- Timer/Mute Button
- Power Switch
 - O = Off
 - I = On

Display

- Speed Indicator
- Speed Display
- Timer Display
- Percentage Indicator – lights when the speed is displayed as a percentage
- RPM Indicator – lights when the speed is displayed in RPM
- Mute indicator – lights when the timer alert is muted

11 User instructions

Start: To start the mixer, turn the control dial clockwise.

Pause/Unpause: Push the control dial to pause or unpause the motor.

Control Speed: Turn the control dial to set speed.

Timer:

Set: Tap the timer button to enter timer mode. Adjust timer with control dial and push to accept. At the point of the timer completing, the machine will stop mixing.

Pause: If the motor is on, click the control dial to pause. If the motor is off, tap the timer button to pause.

Silence alert: Push the control dial.

i To get back to speed mode, press the speed button.

Toggle RPM/Percentage speed mode: Tap and hold the speed button for 3 seconds.

Mute: Tap and hold the timer button for 3 seconds.

12 Care and Maintenance

Cleaning

i Do not use harsh chemicals or abrasive cleaning materials.

All attachments are dishwasher safe apart from the gearbox, including:

- Bowl
- Splash Guard
- Spiral Dough Hook
- Breaker Bar
- Silicone Beater
- Geared Whisk (NOT the gearbox)

Remove attachments from mixer before washing. Clean attachments, connection point and bowl with warm, soapy water.

Remove excess ingredients from the bowl and attachments before washing.

Use a moist cloth to clean the mixer and the gearbox. Wipe dry immediately.

Extend your 1 year warranty to 5 years*, for free when you register your product at ooni.com/warranty within 60 days of purchase.*

*Terms and conditions apply

Troubleshooting

For troubleshooting steps, download the Ooni app or contact our team at support.ooni.com



Download the Ooni app to register your mixer and gain access to interactive setup instructions, product tutorials, recipes and more.

Ooni Halo Spiral Mixer Charcoal Grey UU-P31300	Ooni Halo Spiral Mixer Charcoal Grey UU-P31500
Ooni Halo Spiral Mixer Polar White UU-P31400	Ooni Halo Spiral Mixer Polar White UU-P31600
120Vac / 60Hz 600W 5A	220-240V / 50-60Hz 750W
Ooni, Inc. 2140 South Dupont Highway Camden Kent 19934 DE USA	Ooni Limited, Unit 5 Ooni Park, 189 West Main Street, Broxburn, West Lothian, Scotland, EH52 5LH, United Kingdom
<p>⚠ CAUTION: Unplug before inserting or removing parts.</p> <p>⚠ ATTENTION: Débranchez avant d'insérer ou de retirer des pièces.</p>	
<p>Stand Mixer</p>	



This marking indicates that this product should not be disposed of with other household wastes throughout the EU and UK. To prevent possible harm to the environment or human health from uncontrolled waste disposal, recycle it responsibly to promote the sustainable reuse of material sources. To return your used device, please use the return and collection systems or contact the retailer where this product was purchased. They can take this product for environmentally safe recycling.