

100g 书写纸 双面打印 风琴页

Sablute

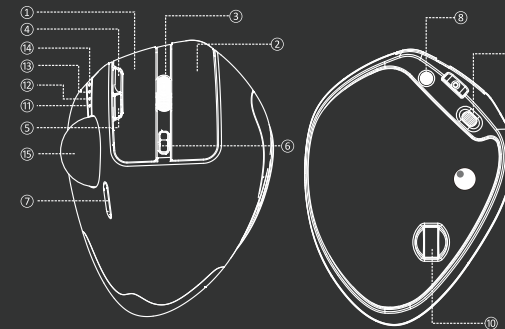
User Manual

Track Ball Mouse

After-Sales
Email: sabluteservices@outlook.com
Website URL: sablute.com

MAM1 Pro

Product Structure Diagram



Package Contents (attachment)

Mouse x1 Receiver x1 Instructions x1 Charging cable x1 Package x1

Compatibility

With Receiver
Windows® 11 or later / Windows® 10/Windows® 8, Windows® 7
macOS 10.10 or later
Chrome OS™
Linux Kernel 2.6

Bluetooth® low energy technology
Windows® 11 or later / Windows® 10/Windows® 8
macOS 10.10 or later
Chrome OS™, Android™ 5.0 or later

Notes on the functions of components

① Left button ② Right button ③ Scroll wheel
④ Forward button ⑤ Back button ⑥ Adjust DPI mode
⑦ Switch light mode ⑧ Bluetooth ⑨ Power on/off
⑩ Receiver ⑪ 2.4GHz indicator ⑫ Bluetooth "1" indicator
⑬ Bluetooth "2" indicator ⑭ Battery status indicator ⑮ Trackball

Specifications

Number of buttons: 8
Tracking system: optical
Frequency: 2402.85MHz - 2480.85MHz
Effective range: >10m
Operating voltage / current: 3.7V = 15mA
Button lifespan: 3 million clicks
Scroll wheel lifespan: 1.2 million rotations
Product size: 0°136°102°52mm, 18°136°100°56mm
Product weight: 270 ± 5g
Resolution: 800 - 1200 - 1600 - 2400 - 4800DPI
2.4GHz polling rate: 125 - 500Hz
Bluetooth polling rate: 90 - 133Hz

Bluetooth Mode

A. Pair Your First Device

1. Turn on the power switch.
2. Press and hold the Bluetooth button for 3 seconds or more. The blue light flashes rapidly, and the mouse will enter Discoverable mode for 2 minutes.

3. Complete Bluetooth pairing on your device:

- Windows 7 and 8:
(1) Click Start, then select Control Panel > Add Devices.
(2) Select BT 3.0 Mouse or BT 5.0 Mouse in the list, then click Next.
Windows 10:
(1) Click Start, then select Settings > Device > Bluetooth.
(2) Select BT 3.0 Mouse or BT 5.0 Mouse in the list, then click Pair.

B. Pair Your Second Device.



1. Short press the Bluetooth button to switch channel.
2. Follow Steps 2 and 3 in "Pair Your First Device" to complete pairing.
3. Switch between devices.
Short press the Bluetooth button to switch between up to 3 paired devices (Up to 2 devices via Bluetooth and 1 device via the 2.4 GHz receiver).

Charging Prompt:

The battery status indicator is always on during charging, and off when the battery is fully charged.

Low Battery Prompt:

When you use the mouse, the 2.4GHz indicator or the Bluetooth indicator will flash quickly once every other second.

DPI Prompt:

When ⑥ is pressed, the 2.4GHz indicator or the Bluetooth indicator will flash to indicate DPI levels, once for DPI level 1, twice for DPI level 2 and so forth.

What if the Mouse Does Not Respond?

1. Please charge the mouse with USB cable.
2. Please try to replace the receiver with a USB interface.
3. Make sure the power switch on the bottom of the mouse is "on" or at ⑨ position.
4. Try to restart the computer.
5. If it is still unsuccessful, please email to E-mail: sabluteservices@outlook.com

Trademark number: No.013426986

The device conforms to Part 15 of the FCC Rules. Operation is subject to the following two conditions: (1) The device may not cause harmful interference, and (2) the device must accept any interference received, including interference that may cause undesired operation.

Precautions:

- Do not expose it to liquid
- Do not disassemble it
- Avoid dropping it
- Avoid extremely high or low temperature

Declaration of Conformity

The product conforms to EC standards for radio interference. MA M1Pro radio equipment conforms to the Directive 2014/53/EU.

Maximum Output Power: 0dBm

Frequency Range: 2.4 GHz band (2402.85MHz-2480.85MHz)

FCC Statement

1. This device complies with Part 15 of the FCC Rules. Operation is subject to the following two conditions:
(1) The device may not cause harmful interference.
(2) The device must accept any interference received, including that may cause undesired operation.
2. Changes or modifications to this unit not expressly approved by the party responsible for compliance could void the user's authority to operate the equipment.

Note: This equipment has been tested and found to comply with

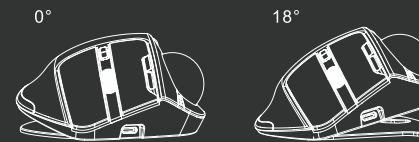
the limits for a Class B digital device, pursuant to Part 15 of the FCC Rules. These limits are designed to provide reasonable protection against harmful interference in a residential installation.

This equipment generates, uses, and can radiate radio frequency energy and, if not installed and used in accordance with the instructions, may cause harmful interference to radio communications. However, there is no guarantee that interference will not occur in a particular installation. If this equipment does cause harmful interference to radio or television reception, which can be determined by turning the equipment off and on, the user is encouraged to try to correct the interference by one or more of the following measures:

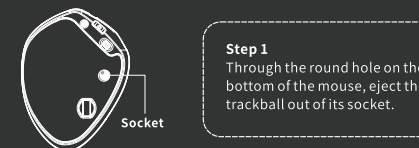
- Reorient or relocate the receiving antenna
- Increase distance between the equipment and receiver.
- Plug the equipment into a socket on a circuit different from that to which the receiver is connected.
- Consult your distributor or an experienced radio/TV technician for help.

The symbol means the product should not be disposed of with household waste but be brought to an appropriate collection point to enable recycling. According to local regulations, do not dispose of the product or rechargeable battery with normal household waste. Appropriate disposal of used products and rechargeable batteries helps to prevent negative impacts on the environment and human health.

Trackball Maintenance



- (1) The adjustable hinge enables you to choose a 0° or 18° angle.
- (2) The trackball can be removed and cleaned, to move more smoothly.



Step 1
Through the round hole on the bottom of the mouse, eject the trackball out of its socket.



Step 2
Take out the trackball, and wipe its socket with a cotton swab cautiously.



Step 3
Put the trackball back into the mouse.

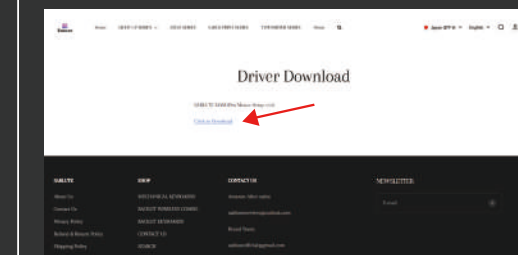
(Note: Illustrations referenced in this manual are for function description purpose only. Please refer to the actual product when purchasing!)

Driver download

STEP1. Please enter the driver URL:

<https://sablute.com/pages/driver>

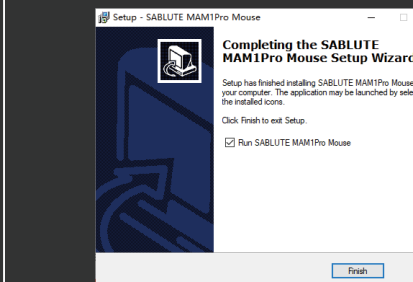
STEP2. Enter the corresponding website and go to the download page.



STEP3. Click the download link to start automatic downloading.

SABLUTE_MAM1Pro_Mouse_Setup_v1.
0 (1).exe
1,373 KB • 完成

STEP4. Perform the installation steps.



STEP5. Once the installation is complete, you can debug the device.



Customer service



Buy on SABLUTE, You will get:

- 30-Day Money-Back Guarantee
- 90-Day Free Replacement
- Hassle-Free Warranty Without Returning
- Lifetime Customer Support

Contact us

For FAQs and more information, please visit:

Phone: 1-888-858-1618 (US), Mon-Fri,
9am-6pm (Worktime), 1pm-2pm



sablute.com/pages/contact
sabluteservices@outlook.com