



UNDER COUNTER BEVERAGE CENTER

Use and Care Guide and Installation Instruction

For questions about features, operation/performance, parts, accessories, or service, call: **1-800-422-1230**
or visit our website at... www.kitchenAid.com
In Canada, call: **1-800-807-6777**, or visit our website at... www.KitchenAid.ca

TABLE OF CONTENTS

BEVERAGE CENTER SAFETY	2
Proper Disposal of Your Old Beverage Center.....	3
INSTALLATION REQUIREMENTS	3
Tools and Parts	3
Location Requirements	3
Product Dimensions.....	4
Custom Overlay Panel	4
Handle (Optional)	5
Electrical Requirements	5
INSTALLATION INSTRUCTIONS	5
Unpack the Beverage Center	5
Custom Overlay Panel Installation	6
Installation and Door Closing.....	7
USING BEVERAGE CENTER	7
Controls	7
Normal Sounds	8
Stocking the Beverage Center	9
Wine Racks	9
Beverage Center Shelves	10
CARE AND CLEANING	10
Cleaning	10
Removing Base Grille	10
Vacation Care	11
Moving Care	11
TROUBLESHOOTING	11
ASSISTANCE	13
In the U.S.A.....	13
In Canada	13
Accessories	13

BEVERAGE CENTER SAFETY

Your safety and the safety of others are very important.

We have provided many important safety messages in this manual and on your appliance. Always read and obey all safety messages.



This is the safety alert symbol.

This symbol alerts you to potential hazards that can kill or hurt you and others.

All safety messages will follow the safety alert symbol and either the word "DANGER" or "WARNING." These words mean:

! DANGER

You can be killed or seriously injured if you don't **immediately** follow instructions.

! WARNING

You can be killed or seriously injured if you don't follow instructions.

All safety messages will tell you what the potential hazard is, tell you how to reduce the chance of injury, and tell you what can happen if the instructions are not followed.

IMPORTANT SAFETY INSTRUCTIONS

WARNING: To reduce the risk of fire, electric shock, or injury when using your beverage center, follow these basic precautions:

- Plug into a grounded 3 prong outlet.
- Do not remove ground prong.
- Do not use an adapter.
- Do not use an extension cord.
- Disconnect power before servicing.
- Replace all parts and panels before operating.
- Remove doors from your old beverage center.
- Use non flammable cleaner.
- Do not store or use petrol, flammable liquids or gas in the vicinity of this or other electrical appliances. The fumes can cause fires or explosions.
- Do not store explosive substances such as aerosol cans with a flammable propellant in this beverage center.
- Do not use or place electrical devices inside the beverage center compartments if they are not of the type expressly authorized by the manufacturer.
- Use two or more people to move and install beverage center.
- This appliance is not intended for use by persons (including children) with reduced physical, sensory or mental capabilities, or lack of experience and knowledge, unless they have been given supervision or instruction concerning use of the appliance by a person responsible for their safety.
- Children should be supervised to ensure that they do not play with the appliance.
- To avoid the risk of children becoming trapped and suffocating, do not allow them to play or hide inside the beverage center.
- If the power supply cord is damaged, it must be replaced by the manufacturer or its service agent or a similarly qualified person.
- Keep ventilation openings, in the appliance enclosure or in the built-in structure, clear of obstruction.
- Do not use mechanical devices or other means to accelerate the defrosting process, other than those recommended by the manufacturer
- Do not damage the refrigerant circuit.

SAVE THESE INSTRUCTIONS

Proper Disposal of your Old Beverage Center

WARNING: Risk of child entrapment. Before you throw away your old Beverage Center:

- Take off the door.
- Leave the shelves in place so that children may not easily climb inside.

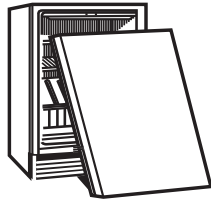
⚠ WARNING

Suffocation Hazard

Remove doors or lid from your old appliance.

Failure to do so can result in death or brain damage.

IMPORTANT: Child entrapment and suffocation are not problems of the past. Junked or abandoned beverage centers are still dangerous – even if they will sit for “just a few days.” If you are getting rid of your old beverage centers, please follow these instructions to help prevent accidents.



Important information to know about disposal of refrigerants:

Dispose of refrigerator in accordance with Federal and Local regulations. Refrigerants must be evacuated by a licensed, EPA certified refrigerant technician in accordance with established procedures.

INSTALLATION REQUIREMENTS

Tools and Parts

Gather the required tools and parts before starting installation.

Tools and parts needed:

- Phillips screwdriver.
- Custom Overlay Door Panel - Refer “Custom Overlay Panel Preparation”.
- Custom handle and mounting hardware (optional).

Parts supplied:

- M4 x 30 flathead screws (8).

Location Requirements

⚠ WARNING



Explosion Hazard

Keep flammable materials and vapors, such as gasoline, away from beverage center.

Failure to do so can result in death, explosion, or fire.

IMPORTANT: This appliance is intended to be used in household and similar applications such as:

- Staff kitchen areas in shops, office and other working environments;
- Farm houses and by clients in hotels, motels and other residential type environments;
- Bed and breakfast type environments;
- Catering and similar non-retail applications.

NOTES:

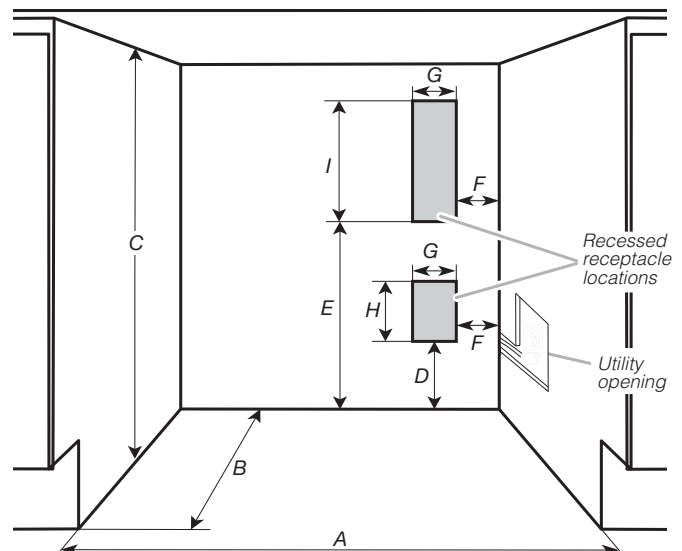
- For the beverage center to be flush with the front of the base cabinets, remove any baseboards or moldings from the rear of the opening. See “Product Dimensions” and later in this section, “Opening Dimensions”.
- It is recommended that you do not install the beverage center near an oven, radiator, or other heat source.
- Do not install in a location where the temperature will fall below 55 °F (13 °C). For best performance, do not install the beverage center behind a cabinet door or block the base grille.

Opening dimensions:

- Height dimensions are shown with the leveling legs extended to the minimum height.

NOTE: When leveling legs are fully extended, add 5/8” (15 mm) to the height dimensions. See “Product Dimensions.”

- If the floor of the opening is not level with the kitchen floor, shim the opening to make it level with the kitchen floor.



Opening and utility location dimensions	
Opening width - A	24" (60.96 cm) min.
Opening depth - B	24" (60.96 cm) min.
Opening height - C	34 ¹ / ₂ " (87.6 cm) min. 35" (88.9 cm) max.
Dimension - D	12 ¹ / ₁₆ " (30.64 cm)
Dimension - E	21 ³ / ₄ " (55.16 cm)
Dimension - F	1 ³ / ₄ " (4.44 cm)
Dimension - G	3" (7.55 cm)
Dimension - H	4 ¹ / ₂ " (11.37 cm)
Dimension - I	9 ¹ / ₄ " (23.47 cm)

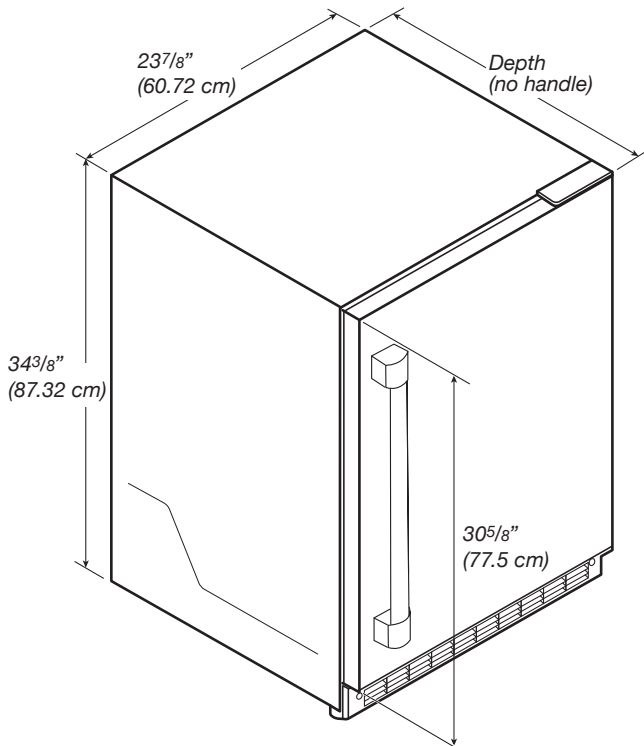
For flush installation, the power outlet can be installed in adjacent cabinetry with a cutout on the power cord side for routing of the power cord.

The power outlet can also be recessed on the back wall behind the unit as per recommended receptacle locations in the above illustration.

Product Dimensions

Overall product	
Width (up to hinge cover)	23 ⁷ / ₈ " (60.72 cm)
Height (up to hinge cover)	34 ³ / ₈ " (87.32 cm)
Panel ready models depth (with 3/4" panel and no handle)	23 ¹³ / ₁₆ " (60.5 cm)
Raw Door Height	30 ⁵ / ₈ " (77.75 cm)
Depth (no handle)	23 ⁵ / ₈ " (60.01 cm)

NOTE: The power cord is 60" (152.4 cm) long.



Custom Overlay Panel

NOTE: For standard stainless steel or glass door models, skip these instructions and go to "Electrical Requirements" section.

If you plan to install a custom overlay panel, you will need to create the panel yourself or consult a qualified cabinet maker or carpenter. Refer dimension drawings for panel specifications.

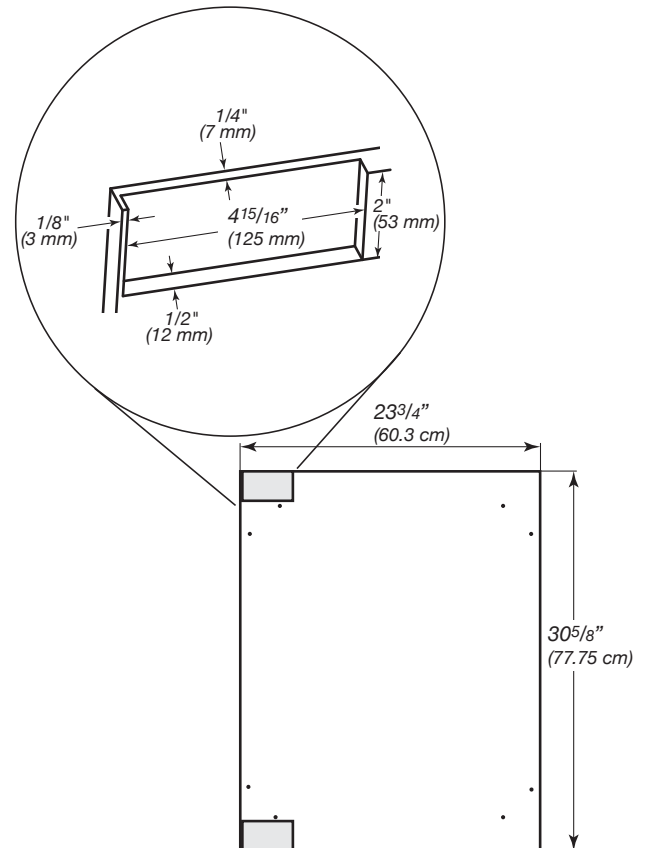
IMPORTANT:

- The thickness of the overlay panel must be 3/4" (19 mm).
- Custom solid door overlay panel must not weigh more than 20 lb (9.07 kg).
- Custom glass door overlay panel must not weigh more than 10 lb (4.54 kg).
- Overlay panels weighing more than recommended may cause damage to your appliance.

Solid door overlay panel - Preparation:

Create the custom overlay panel using the dimensions shown in the illustration "Solid door overlay panel and hinge routing dimensions". Route shaded areas to a 1/2" (12 mm) depth as shown.

IMPORTANT: The following graphic shows a custom panel for a door with the hinges installed on the right-hand side. If your beverage center has the hinges installed on the left-hand side, rotate the custom frame 180° so the hinge markings will be on the left.

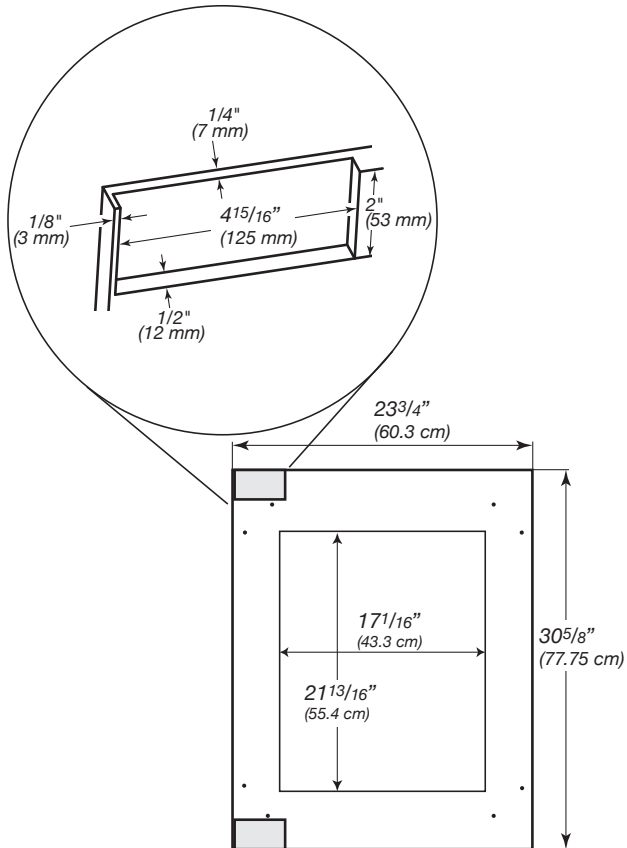


Solid door overlay panel and hinge routing dimensions

Glass door overlay panel - Preparation:

Create the custom overlay panel using the dimensions shown in the illustration "Glass door overlay panel and hinge routing dimensions". Route shaded areas to a 1/2" (12 mm) depth as shown.

IMPORTANT: The following graphic shows a custom panel for a door with the hinges installed on the right-hand side. If your beverage center has the hinges installed on the left-hand side, rotate the custom frame 180° so the hinge markings will be on the left.



Glass door overlay panel and hinge routing dimensions

Handle (optional)

Custom handles are typically attached to the custom overlay door panel only.

Refer instructions received with KitchenAid handle kits to install these handles on custom wood panels.

Custom handle needs to be installed on the door panel with countersunk holes and installed before the custom overlay door panel has been installed on the beverage center door.

Electrical Requirements

⚠ WARNING



Electrical Shock Hazard

Plug into a grounded 3 prong outlet.

Do not remove ground prong.

Do not use an adapter.

Do not use an extension cord.

Failure to follow these instructions can result in death, fire, or electrical shock.

Before you move your beverage center into its final location, it is important to make sure you have the proper electrical connection.

Recommended grounding method:

A 115 V, 60 Hz, AC only, 15 A or 20 A fused, grounded electrical supply is required. It is recommended that a separate circuit serving only your beverage center be provided. Use an outlet that cannot be turned off by a switch. Do not use an extension cord.

NOTE: Before performing any type of installation, cleaning, or removing a light bulb, unplug beverage center or disconnect power.

INSTALLATION INSTRUCTIONS

Unpack the Beverage Center

⚠ WARNING

Excessive Weight Hazard

Use two or more people to move and install or uninstall appliance.

Failure to do so can result in back or other injury.

Before using your beverage center, all packaging materials should be removed and the interior should be cleaned.

- Remove tape and glue residue from surfaces before turning on the beverage center. With your fingers, rub a small amount of liquid dish soap over any adhesive and wipe with warm water to remove.
- Do not use sharp instruments, rubbing alcohol, flammable fluids, or abrasive cleaners to remove tape or glue. These can damage the surfaces of your beverage center. For more information, refer "Beverage Center Safety" section.

- Dispose of and/or recycle all packaging materials.
- After all packaging materials have been removed, clean the inside of your beverage center. Refer the cleaning instructions in "Cleaning" section.

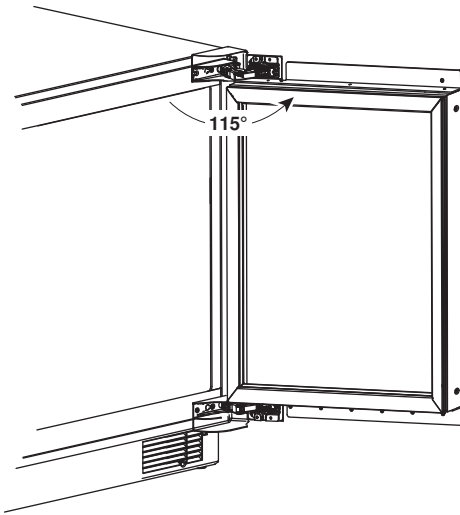
NOTE: For standard stainless steel or glass door models, skip to "Door Closing" section.

Custom Overlay Panel Installation

IMPORTANT:

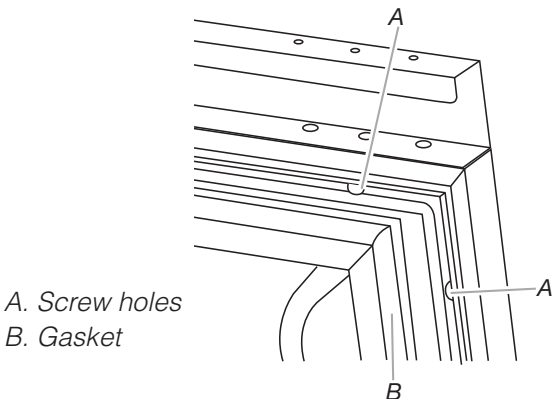
- Create custom overlay panel according to the specifications in the "Custom Overlay Panel" section.
- KitchenAid is not responsible for the removal or addition of molding or decorative panels that would not allow access to the beverage center for service.

1. Open the door completely to 115°.

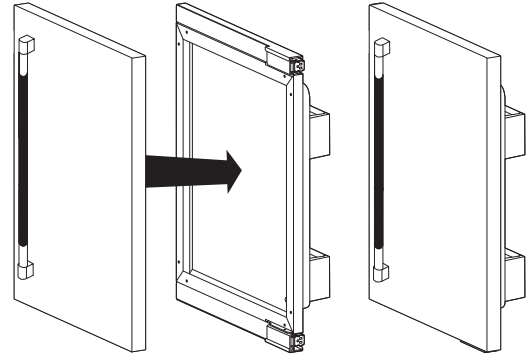


2. Remove the gasket from the corners of the door, pulling gently until the two screw holes in each corner of the door can be seen.

NOTE: The gasket does not have to be removed from the door, only the corners.

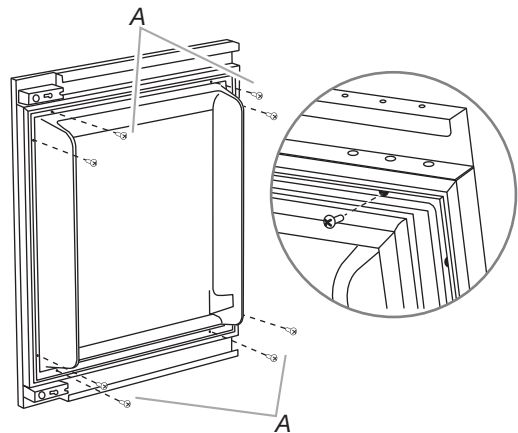


3. Using two people, hold the custom overlay panel against the door. Be sure that the top and bottom hinges fit accurately into the routing on back of the custom wood panel.



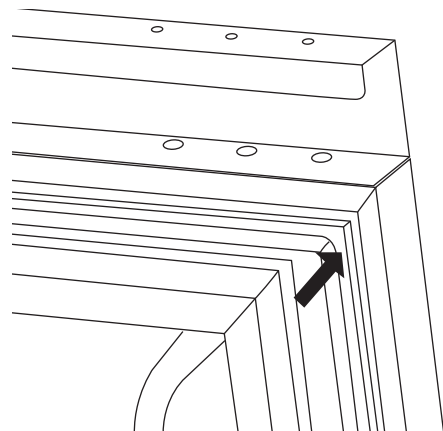
NOTE: Handle needs to be installed before the custom overlay door panel has been installed on the beverage center door.

4. Fasten the custom panel to the door using two wood screws (provided in installation kit) at each corner.



A. M4 x 30 flathead screws (provided in installation kit)

5. Press the gasket firmly back into its original position.



Installation and Door Closing

Your beverage center has four leveling legs. If your beverage center seems unsteady or you want the door to close more easily, adjust the beverage center's tilt using the instructions below.

⚠ WARNING



Electrical Shock Hazard

Plug into a grounded 3 prong outlet.

Do not remove ground prong.

Do not use an adapter.

Do not use an extension cord.

Failure to follow these instructions can result in death, fire, or electrical shock.

1. Plug into a grounded 3 prong outlet.

⚠ WARNING

Excessive Weight Hazard

Use two or more people to move and install or uninstall appliance.

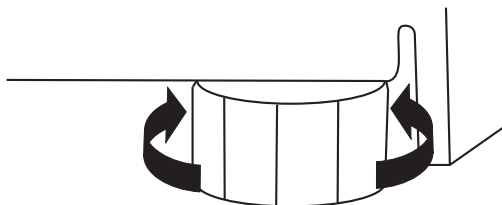
Failure to do so can result in back or other injury.

When moving your Beverage Center:

Your beverage center is heavy. When moving the beverage center for cleaning or service, be sure to cover the door with cardboard or hardboard to avoid door damage. Always pull the beverage center straight out when moving it. Do not wiggle or "walk" the beverage center when trying to move it, as door damage could occur.

2. Move the beverage center into its final location.
3. Turn the leveling legs to the right to lower the beverage center, or turn the leveling legs to the left to raise it. It may take several turns of the leveling legs to adjust the tilt of the beverage center.

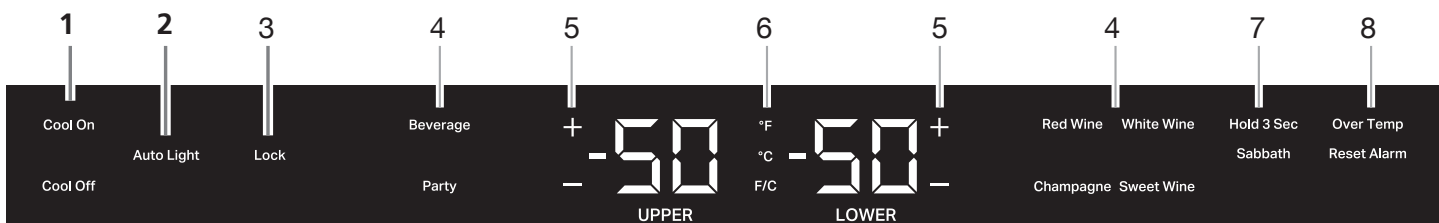
NOTE: Having someone push against the top of the beverage center takes some weight off the leveling legs. This makes it easier to adjust the leveling legs.



4. Open the door and check that it closes as easily as you like. If not, tilt the beverage center slightly more to the rear by turning both front leveling screws to the right. It may take several more turns, and you should turn both leveling legs the same amount.

USING BEVERAGE CENTER

Controls



NOTES:

- When the beverage center is turned On for the first time, the temperature defaults to the recommended setting.
- There are two adjustable temperature controls, one for each compartment.
- The left temperature and preset touch pads control the temperature of the upper compartment.
- The right temperature and preset touch pads control the temperature of the lower compartment.

1. Turning Control On/Off

The first time that the beverage center is plugged in, the control will be in Cool Off mode. Cool On and Cool Off will be the only options that display.

Press COOL ON for 3 seconds to turn on the beverage center. All menus and recommended temperature settings will be displayed.

Cool On

Cool Off

2. Auto Light Option

Features a proximity sensor in the base grille that automatically ramps on the LED interior display lighting when motion is detected. When motion is no longer detected, the interior display light will turn off after 2 minutes.

Auto Light

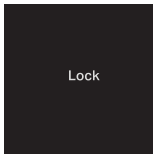
- Press the AUTO LIGHT option to activate this feature.
- When the AUTO LIGHT is not activated, the interior display light will only turn on when the door is opened.

NOTE: Leaving the light on for an extended period of time will slightly increase the temperature of the beverage center.

3. Control Lock

A selectable feature that locks all controls except for Cool On and Cool Off.

To activate Lock Mode, press and hold LOCK for 3 seconds. After the countdown, all other displays will turn off and become unavailable except Cool On, Cool Off and Lock.



4. Using Presets

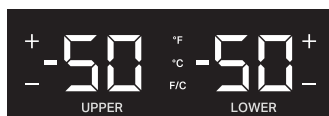


For your convenience, your beverage center also has controls that are preset to recommended storage temperature for specific beverages. Pressing any preset option will set the temperature to the recommended temperature for the specified beverage:

Beverage: 34 °F (1 °C)
Party: 37 °F (3 °C)
Red wine: 64 °F (17 °C)
White wine: 50 °F (10 °C)
Sweet wine: 42 °F (5 °C)
Champagne: 46 °F (7 °C)

5. Adjusting the Temperatures

To adjust set point temperatures, press “+” (plus) or “-” (minus) until the desired temperature setting is reached. The control is set correctly when the beverages are as cold as you like it.

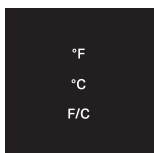


NOTES:

- The set point for the beverage center is 37 °F (3 °C) for the upper compartment and 50 °F (10 °C) for the lower compartment. The set point range for the upper compartment is 33 °F to 40 °F (0 °C to 4 °C) and 42 °F to 64 °F (5 °C to 17 °C) for the lower compartment.
- Wait at least 24 hours between adjustments for the product to acclimate. Recheck the temperatures before making further adjustments.

6. Viewing Celsius/Fahrenheit Temperatures

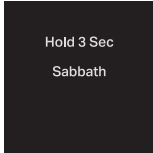
Press the F/C touch pad to toggle between displaying the temperature in degrees Fahrenheit and degrees Celsius. The corresponding indicator will illuminate.



7. Sabbath Mode

Allows the door of the beverage center to be opened or closed during the Sabbath or other religious holidays without directly turning on or off any lights, digital

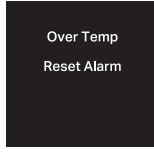
readouts, solenoids, fans, valves, icons, tones, alarms or the compressor. By selecting this feature, the temperature set points remain unchanged, but the control panel lights, interior lights, and control audio turn off. For most efficient beverage center operation, it is recommended to exit the Sabbath Mode when it is no longer required.



- Press and hold SABBATH for 3 seconds to turn on the feature. After the 3 second countdown, the feature will activate and all other displays will turn Off.
- Press and hold SABBATH for 3 seconds to turn off the feature and turn on the display.

8. Over Temperature Alarm

The Over Temperature feature is designed to let you know when the beverage center temperature rises above 70 °F (21 °C) for 4 hours or longer. The audio alarm will shut off automatically when the temperature returns to normal. To let you know an Over Temperature condition occurred, the indicator light will continue to flash until the Reset Alarm touch pad is pressed.



If the over temperature condition is still present when an Over Temp reset is performed, the indicator light will continue to reactivate every 4 hours until the beverage center temperature is below 70 °F (21 °C).

NOTE: These features will not appear on your control unless your beverage center is over temperature and the alarm requires a reset.

9. Max Cool

Plummets internal temperatures to their lowest point for 24 hours.

- Press “+” and “F/C” at the same time to turn on the feature. The feature will activate.
- Press “+” and “F/C” at the same time to turn off the feature. The feature will deactivate.

If it is not turned off as indicated, after 24 hrs it will be deactivated by itself.

10. Door Open Alarm

Helps avoid food and beverage spoilage by giving an audio and visual alert if the door is left open for 5 minutes.

If the door is open longer than 5 minutes, an alarm will sound every 2 minutes until the door is closed or any control is pressed.

11. Showroom Mode

This mode is used only when the beverage center is on display in a retail store. To activate Showroom Mode, press and hold both Cool On and Sabbath for 3 seconds. If you unintentionally turn on Showroom Mode, Cool Off will light up on the display, and the controls will appear to work. Exit Showroom Mode by pressing and holding COOL ON and SABBATH at the same time for 3 seconds.

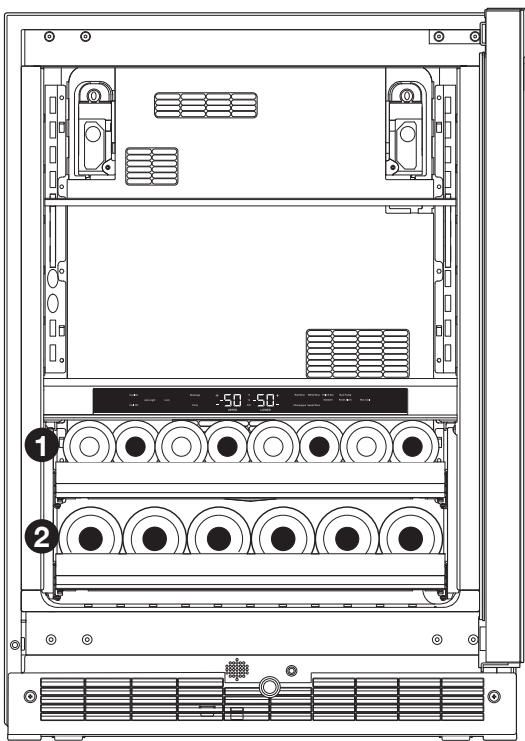
Normal Sounds

Your new beverage center may make sounds that your old one didn't make. Because the sounds are new to you, you might be concerned about them. Most of the new sounds are normal. Hard surfaces, such as the flooring and surrounding

structures, can make the sounds seem louder. The following describes the kinds of sounds and what may be making them.

- Your beverage center is designed to run more efficiently to keep your beverages at the desired temperatures and to minimize energy usage. The high efficiency compressor and fans may cause your beverage center to run longer than your old one. You may also hear a pulsating or high-pitched sound from the compressor or fans adjusting to optimize performance.
- Rattling noises may come from the flow of refrigerant or items stored inside the beverage center.
- As each cycle ends, you may hear a gurgling sound due to the refrigerant flowing in your beverage center.
- You may hear water running into the drain pan when the beverage center is defrosting.
- You may hear clicking sounds when the beverage center starts or stops running.

Stocking the Beverage Center



Rack 1: For storing up to eight 750 ml wine bottles [diameter less than or equal to 3¹/₈" (80 mm)].

Rack 2: For storing up to 6 wine bottles [diameter up to 3¹/₈" (80 mm)].

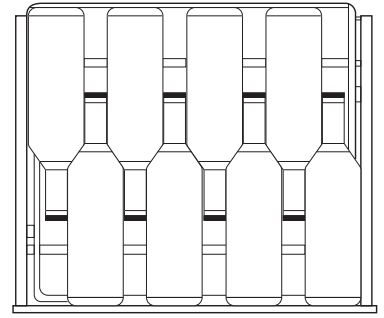
To stock the Beverage Center Shelves:

Place juices, sodas or other canned beverages on the glass shelves.

To stock the Beverage Center - Rack 1:

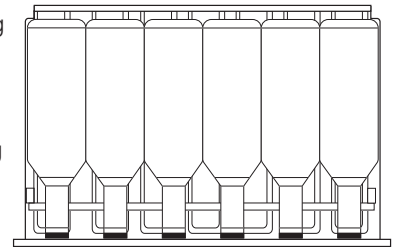
NOTE: The wine rack can be stocked with the bottles facing either direction, however, to optimize storage adjacent bottles should be facing in opposite.

1. Starting on the left-hand side, place the first bottle on the bottom of the rack with the neck of the bottle facing the front of the beverage center.
2. Place the next bottle on its side with the neck of the bottle facing the back of the beverage center. Alternate the direction of the bottles, in this manner, until the display rack is full.



To stock the Beverage Center - Rack 2:

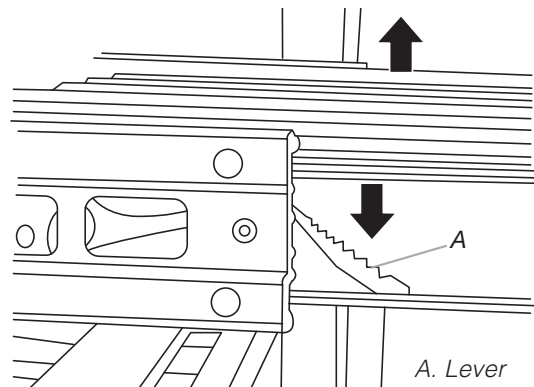
1. Starting from left-hand side of the bottom rack, place the first bottle with the neck of the bottle facing the front of the beverage center.
2. Continue to place the remaining bottles facing in the same direction.



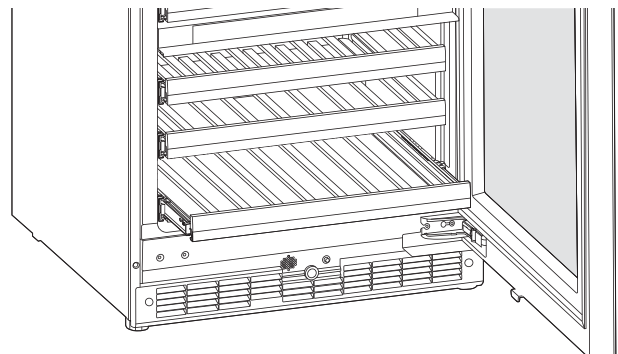
Wine Racks

Remove and replace the racks:

1. Pull the rack forward until it stops.
2. Press down on the left-hand lever while lifting up on the right-hand lever to release the rack. Pull the rack forward and lift it up and out of the rack supports.



3. Replace the rack by inserting the rack into the supports and sliding it in until it locks.



Beverage Center Shelves

Remove and replace the shelves:

1. Remove the shelf by lifting up the front and pulling it out of the shelf slots.
2. Replace the shelf by inserting it into the shelf slots and pushing it toward the back of the compartment.

Important information to know about glass shelves and covers:

Do not clean glass shelves or covers with warm water when they are cold. Shelves and covers may break if exposed to sudden temperature changes or impact, such as bumping. Tempered glass is designed to shatter into many small, pebble-size pieces. This is normal. Glass shelves and covers are heavy. Use both hands when removing them to avoid dropping.

CARE AND CLEANING

Cleaning

⚠ WARNING



Explosion Hazard

- Risk of fire or explosion.**
- Flammable refrigerant used.**
- Do not use mechanical devices to defrost refrigerator.**
- Do not puncture refrigerant tubing.**

Clean the beverage center once a month to avoid buildup of odors. Wipe up spills immediately.

To clean your Beverage Center:

1. Unplug beverage center or disconnect power.
2. Empty and remove all shelves and racks from inside the beverage center.
3. Hand wash, rinse, and dry removable parts and interior surfaces thoroughly. Use a clean sponge or soft cloth and a mild detergent in warm water.
 - To avoid damaging wooden tines and trim pieces, wipe them off with a clean sponge or soft cloth and warm water. Do not use detergent or immerse the entire rack into water when cleaning.
 - Do not use abrasive or harsh cleaners such as window sprays, scouring cleansers, flammable fluids, cleaning waxes, concentrated detergents, bleaches or cleansers containing petroleum products on plastic parts, interior and door liners or gaskets. Do not use paper towels, scouring pads, or other harsh cleaning tools. These can scratch or damage materials.

- To help remove odors, you can wash interior walls with a mixture of warm water and baking soda [2 tbs to 1 qt (26 g to 0.95 L) of water].
4. Wash stainless steel and painted metal exteriors with a clean sponge or soft cloth and a mild detergent in warm water. Do not use abrasive or harsh cleaners, or cleaners containing chlorine. These can scratch or damage materials. Dry immediately with a soft, dry cloth to absorb any remaining water.

NOTE: To keep your stainless steel beverage center looking like new and to remove minor scuffs or marks, it is recommended that you use the manufacturer's approved Stainless Steel Cleaner and Polish. To order the cleaner, refer "Accessories" section.

IMPORTANT:

- This cleaner is for stainless steel parts only!
 - Do not allow the Stainless Steel Cleaner and Polish to come into contact with any plastic parts such as the trim pieces, dispenser covers or door gaskets. If unintentional contact does occur, clean plastic part with a sponge and mild detergent in warm water. Dry immediately with a soft, dry cloth to absorb any remaining water.
5. Replace the racks.

Condenser cleaning

⚠ WARNING



Explosion Hazard

- Risk of fire or explosion due to puncture of refrigerant tubing.**
- Follow handling instructions carefully.**
- Flammable refrigerant used.**

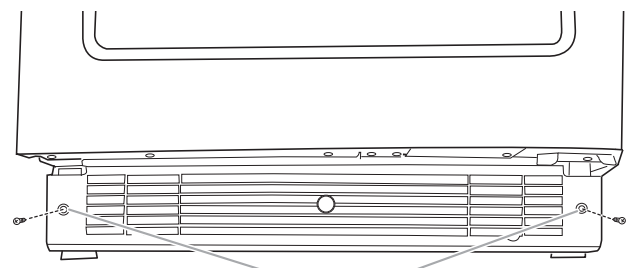
1. Remove the base grille to access condenser for cleaning. Refer "Removing Base Grille" section.
2. Clean the condenser coils regularly. They are located behind the base grille. Coils may need to be cleaned as often as every other month. This may help save energy.

Removing Base Grille

You must remove the base grille to access the condenser coils for cleaning.

To remove the base grille:

1. Open the beverage center door.



A. Screws

2. Using a Phillips screwdriver, remove the two screws.
3. Remove the base grille.

To replace the base grille:

1. Open the beverage center door.
 2. Position the base grille so that both tabs align and the base grille snaps into place. Replace two screws. Tighten the screws.
-

Vacation Care

If you choose to turn the beverage center off before you leave, follow these steps.

1. Remove all beverage contents from the beverage center.
2. Unplug the beverage center.
3. Clean the beverage center. Refer "Cleaning" section.
4. Tape a rubber or wood block to the top of the door to prop it open far enough for air to get in. This stops odor and mold from building up.

Moving Care

When you are moving your beverage center to a new home, follow these steps to prepare it for the move.


1. Remove all beverage contents from the beverage center.
2. Unplug the beverage center.
3. Clean, wipe, and dry it thoroughly.
4. Take out all removable parts, wrap them well, and tape them together so they don't shift and rattle during the move.
5. Tape the doors shut and tape the power cord to the beverage center.

When you get to your new home, put everything back and refer to the "Installation Instructions" received with the beverage center.

TROUBLESHOOTING

Try the solutions suggested here first in order to avoid the cost of an unnecessary service call.

⚠ WARNING



Electrical Shock Hazard

Plug into a grounded 3 prong outlet.

Do not remove ground prong.

Do not use an adapter.

Do not use an extension cord.

Failure to follow these instructions can result in death, fire, or electrical shock.

GENERAL OPERATION

Possible Causes and/or Recommended Solutions

Beverage center will not operate

- **Power supply cord unplugged?** Plug into a grounded 3 prong outlet.
- **Is outlet working?** Plug in a lamp to see if the outlet is working.
- **Household fuse blown, or a circuit breaker tripped?** Replace the fuse or reset the circuit. If the problem continues, call an electrician.
- **Are controls on?** Be sure that the beverage center controls are on. Refer "Controls" section.

The motor seems to run too much

- **Is the temperature outside hotter than normal?** Expect the motor to run longer under warm conditions. At normal temperatures, expect your motor to run about 40 % to 80 % of the time. Under warmer conditions, expect it to run even more of the time.
- **Is the door opened often?** Expect the motor to run longer when this occurs. In order to conserve energy, try to get everything you need out of the Beverage Center at once, keep food organized so it is easy to find, and close the door as soon as the food is removed.

GENERAL OPERATION**Possible Causes and/or Recommended Solutions**

The motor seems to run too much

- **Is the control set correctly for the surrounding conditions?** Refer “Controls” section.
- **Is the door closed completely?** Push the door firmly shut. If it will not shut all the way, refer “The door will not close completely” later in this section.
- **Are the condenser coils dirty?** This obstructs air transfer and makes the motor work harder. Clean the condenser coils. Refer “Cleaning” section.

TEMPERATURE AND MOISTURE**Possible Causes and/or Recommended Solutions**

Temperature is too warm

- **Is the door opened often?** Be aware that the Beverage Center will warm when this occurs. In order to keep the Beverage Center cool, try to get everything you need out of the Beverage Center at once, keep beverage contents organized so it is easy to find, and close the door as soon as the content is removed.
- **Is the control set correctly for the surrounding conditions?** Refer “Controls” section.
- **Is the base grille blocked?** For best performance, do not install the beverage center behind a cabinet door or block the base grille.

There is interior moisture buildup

- **Is the door opened often?** To avoid humidity buildup, try to get everything you need out of the Beverage Center at once, keep beverage contents organized so it is easy to find, and close the door as soon as the content is removed. When the door is opened, humidity from the room air enters the Beverage Center. The more often the door is opened, the faster humidity builds up, especially when the room itself is very humid.
- **Is it humid?** It is normal for moisture to build up inside the beverage center when the air is humid.
- **Is the control set correctly for the surrounding conditions?** Refer “Controls” section.

DOOR**Possible Causes and/or Recommended Solutions**

**The door is difficult to open**

- **Are beverage contents blocking the door open?** Rearrange beverage contents so that they fit more tightly and take up less space.
- **Are the shelves out of position?** Put the shelves back into their correct positions. See “Beverage Center Use” for more information.
- **Is the gasket dirty or sticky?** Clean the gasket and the surface that it touches. Rub a thin coat of paraffin wax on the gasket following cleaning.

The door will not close completely

- **Are the racks out of position?** Put the racks back into their correct positions. Refer “Wine Racks” section for more information.
- **Is the gasket sticking?** Clean the gasket and the surface that it touches. Rub a thin coat of paraffin wax on the gasket following cleaning.

ASSISTANCE

If you need service:

Before calling for assistance or service, please check "Troubleshooting." It may save you the cost of a service call. If you still need help, follow the instructions below.

When calling, please know the purchase date and the complete model and serial number of your appliance. This information will help us to better respond to your request. Please refer to the warranty page in this manual for more information on service.

If you need replacement parts:

Component parts should be replaced with like components and servicing should be done by factory authorized service personnel, so as to minimize the risk of possible ignition due to incorrect parts or improper service.

In the U.S.A.

Call the KitchenAid Customer eXperience Center toll free: **1-800-422-1230**.

Our Consultants Provide Assistance With:

- Features and specifications on our full line of appliances.
- Installation information.
- Use and maintenance procedures.
- Accessory and repair parts sales.
- Specialized customer assistance (Spanish speaking, hearing impaired, limited vision, etc.).
- Referrals to local dealers, repair parts distributors, and service companies. KitchenAid designated service technicians are trained to fulfill the product warranty and provide after-warranty service, anywhere in the United States.

To locate the KitchenAid designated service company in your area, you can also look in your telephone directory Yellow Pages.

For Further Assistance

If you need further assistance, you can write to KitchenAid with any questions or concerns at:

KitchenAid Brand Home Appliances
Customer eXperience Center
553 Benson Road
Benton Harbor, MI 49022-2692

Please include a daytime phone number in your correspondence.

In Canada

Call the KitchenAid Canada Customer eXperience Centre toll free: **1-800-807-6777**.

Our Consultants Provide Assistance With:

- Features and specifications on our full line of appliances.
- Use and maintenance procedures.
- Accessory and repair parts sales.
- Referrals to local dealers, repair parts distributors, and services companies. KitchenAid Canada designated service technicians are trained to fulfill the product warranty and provide after-warranty service, anywhere in Canada.

For Further Assistance

If you need further assistance, you can write to KitchenAid Canada with any questions or concerns at:

KitchenAid Canada
Customer eXperience Centre
200 – 6750 Century Ave.
Mississauga, Ontario L5N 0B7

Please include a daytime phone number in your correspondence.

Accessories

The following accessories are available for your beverage center.

To order an accessory, contact us and ask for the Part Number.

In the U.S.A., visit our webpage **www.kitchenaid.com/accessories** or call **1-800-442-9991**.

In Canada, visit our webpage **www.whirlpoolparts.ca** or call **1-800-807-6777**.

Stainless Steel Cleaner and Polish

Order Part #4396095

RÉFRIGÉRATEUR POUR BOISSONS

Guide d'Utilisation et d'Entretien et Instructions d'Installation

Pour des questions sur les fonctionnalités, fonctionnement/performance, pièces, accessoires ou service, appelez le: **1-800-422-1230** ou visitez notre site Web à ... **www.kitchenAid.com**

Au Canada, pour assistance, installation ou service, composez le: **1-800-807-6777** ou visitez notre site web à... **www.KitchenAid.ca**

TABLE DES MATIÈRES

SÉCURITÉ DU RÉFRIGÉRATEUR POUR BOISSONS..	15
Mise au Rebut de Votre Vieux Réfrigérateur pour Boissons.....	16
EXIGENCES D'INSTALLATION	16
Outils et Pièces	16
Exigences d'Emplacement	16
Dimensions du Produit.....	17
Panneau Décoratif Personnalisé.....	17
Poignées (Facultatif)	18
Spécifications Électriques.....	18
INSTRUCTIONS D'INSTALLATION	18
Déballage du Réfrigérateur pour Boissons.....	18
Installation du Panneau Personnalisé	19
Installation et Fermeture de la Porte	19
UTILISATION DU RÉFRIGÉRATEUR POUR BOISSONS.....	20
Commandes	20
Sons Normaux	21
Stockage dans le Réfrigérateur pour Boissons.....	22
Porte-Bouteilles.....	22
Tablettes du Réfrigérateur pour Boissons.....	23
ENTRETIEN ET NETTOYAGE	23
Nettoyage	23
Enlever la Grille de la Base.....	23
Entretien Avant les Vacances.....	24
Précautions à Prendre Avant un Déménagement	24
DÉPANNAGE.....	24
ASSISTANCE	26
Aux États-Unis	26
Au Canada.....	26
Accessoires	26

SECURITÉ DU RÉFRIGÉRATEUR POUR BOISSONS

Votre sécurité et celle des autres est très importante.

Nous donnons de nombreux messages de sécurité importants dans ce manuel et sur votre appareil ménager. Assurez-vous de toujours lire tous les messages de sécurité et de vous y conformer.



Voici le symbole d'alerte de sécurité.

Ce symbole d'alerte de sécurité vous signale les dangers potentiels de décès et de blessures graves à vous et à d'autres.

Tous les messages de sécurité suivront le symbole d'alerte de sécurité et le mot "DANGER" ou "AVERTISSEMENT". Ces mots signifient:

! DANGER

Risque possible de décès ou de blessure grave si vous ne suivez pas immédiatement les instructions.

! AVERTISSEMENT

Risque possible de décès ou de blessure grave si vous ne suivez pas les instructions.

Tous les messages de sécurité vous diront quel est le danger potentiel et vous disent comment réduire le risque de blessure et ce qui peut se produire en cas de non-respect des instructions.

IMPORTANTES INSTRUCTIONS DE SÉCURITÉ

AVERTISSEMENT: Pour réduire les risques d'incendie, de décharge électrique ou de blessures lors de l'utilisation du réfrigérateur pour boissons, prendre quelques précautions fondamentales, y compris les suivantes:

- Brancher sur une prise de courant à 3 alvéoles, reliée à la terre.
- Ne pas enlever la prise de liaison à la terre.
- Ne pas utiliser d'adaptateur.
- Ne pas utiliser de rallonge.
- Déconnecter la source de courant électrique avant l'entretien.
- Replacer pièces et panneaux avant de faire la mise en marche.
- Enlever les portes de votre ancien réfrigérateur pour boissons.
- Utiliser un produit de nettoyage ininflammable.
- Ne pas utiliser ou conserver d'essence ni de liquides ou gaz inflammables à proximité de cet ou d'autres appareils électriques. Les fumées peuvent causer des incendies ou des explosions.
- Ne pas conserver de substances explosives, par exemple des bombes aérosols contenant un agent propulseur, dans ce réfrigérateur pour boissons.
- Ne pas utiliser ni placer dans les compartiments du réfrigérateur pour boissons des dispositifs électriques d'un type autre que celui expressément autorisé par le fabricant.
- Utiliser deux personnes ou plus pour déplacer et installer le réfrigérateur pour boissons.
- Cet appareil ne convient pas à une utilisation par des personnes (y compris des enfants) à capacités physiques, sensorielles ou mentales réduites, ou possédant un manque d'expérience et de connaissances, à moins qu'elles ne soient placées sous supervision ou qu'elles aient reçu des instructions concernant l'utilisation de l'appareil par une personne responsable de leur sécurité.
- Les enfants doivent être placés sous surveillance afin de s'assurer qu'ils ne jouent pas avec l'appareil.
- Pour éviter le risque que des enfants restent enfermés à l'intérieur et s'asphyxient, ne pas les laisser jouer ou se cacher dans le réfrigérateur pour boissons.
- Si le cordon d'alimentation est endommagé, il doit être remplacé par le fabricant ou son technicien d'entretien ou une personne possédant une qualification similaire.
- Les prises d'air de l'enceinte de l'appareil ou de la structure encastré doivent être dégagées en tout temps.
- Ne pas utiliser d'appareils mécaniques ou d'autres moyens pour accélérer le dégivrage que ceux recommandés par le fabricant.
- Ne pas endommager le circuit frigorigène.

CONSERVER CES INSTRUCTIONS

Mise au rebut de votre vieux Réfrigérateur pour Boissons

AVERTISSEMENT: Risque de coincement de l'enfant. Avant de jeter votre ancien réfrigérateur pour boissons:

- Enlevez les portes.
- Laissez les étagères en place afin que les enfants ne puissent pas facilement grimper à l'intérieur.

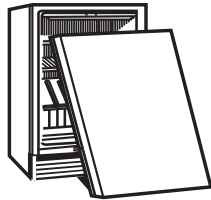
AVERTISSEMENT

Risque de Suffoquer

Enlever les portes ou le couvercle de votre vieil appareil.

Le non-respect de cette instruction peut causer un décès ou des lésions cérébrales.

IMPORTANT: Le risque qu'un enfant puisse se retrouver coincé et suffoquer n'est pas chose du passé. Les réfrigérateurs pour boissons jetés ou abandonnés restent dangereux, même s'ils ne restent à l'extérieur que pour "quelques jours seulement". Si l'ancien réfrigérateur pour boissons doit être mis au rebut, suivre les instructions suivantes afin d'éviter les accidents.



Renseignements importants à propos de la mise au rebut des fluides réfrigérants:

Mettre le réfrigérateur au rebut conformément à la réglementation fédérale et locale. Les fluides réfrigérants doivent être évacués par un technicien certifié et agréé par l'EPA conformément aux procédures établies.

EXIGENCES D'INSTALLATION

Outils et Pièces

Rassembler les outils et pièces nécessaires avant d'entreprendre l'installation.

Outils et pièces nécessaires:

- Tournevis à tête cruciforme.
- Panneau de porte décoratif personnalisé – voir la section "Dimensions du panneau décoratif personnalisé".
- Poignée personnalisée et matériel de fixation (facultatif).

Pièces fournies:

- 8 vis fraisées de M4 x 30.

Exigences d'Emplacement

AVERTISSEMENT



Risque d'Explosion

Garder les matériaux et les vapeurs inflammables, telle que l'essence, loin la réfrigérateur pour boissons.

Le non-respect de cette instruction peut causer un décès, une explosion ou un incendie.

IMPORTANT: Cet appareil est destiné à un usage domestique et à d'autres usages similaires comme:

- Espace de cuisine pour personnel de boutiques, bureaux et autres environnements professionnels.
- Fermes et par les clients des hôtels, motels et autres environnements de type résidentiel.
- Environnements de type chambres d'hôtes.
- Banquets et autres utilisations non commerciales semblables.

REMARQUES:

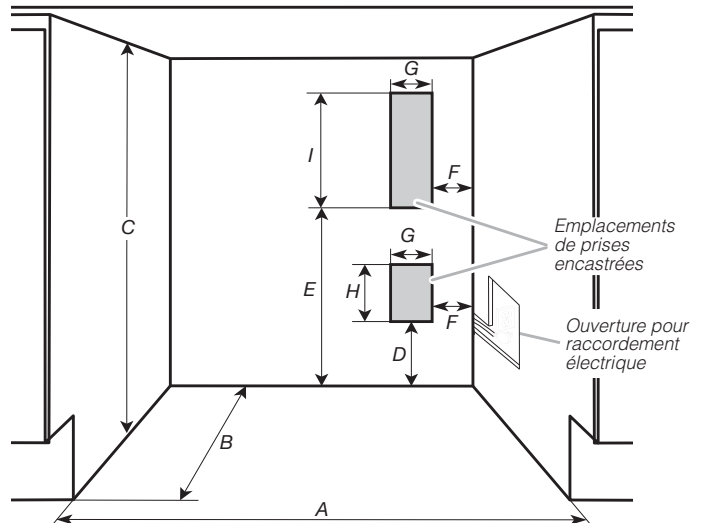
- Lorsqu'on souhaite placer le réfrigérateur pour boissons en affleurement avec la façade des armoires inférieures, enlever toutes les moulures et plinthes à l'arrière de l'ouverture. Voir "Dimensions du produit" et plus loin dans cette section "Dimensions de l'ouverture".
- On recommande de ne pas installer le réfrigérateur pour boissons près d'un four, d'un radiateur ou de toute autre source de chaleur.
- Ne pas installer l'appareil dans un endroit où la température pourrait descendre sous 55 °F (13 °C). Pour le meilleur rendement, ne pas installer le réfrigérateur pour boissons derrière une porte d'armoire ni obstruer la grille de la base.

Dimensions de l'ouverture:

- Les dimensions de hauteur indiquées correspondent à la configuration selon laquelle les pieds de nivellement sont déployés à la hauteur minimale.

REMARQUE: Lorsque les pieds de nivellement sont complètement déployés, ajouter 5/8" (15 mm) aux dimensions de hauteur. Voir la section "Dimensions du produit".

- Si le plancher de l'ouverture n'est pas au même niveau que le plancher de la cuisine, installer des cales pour établir un niveau uniforme avec le plancher de la cuisine.



Dimensions de l'ouverture et de l'emplacement pour raccordement électrique

Largeur de l'ouverture - A	24" (60.96 cm) mín.
Profondeur de l'ouverture - B	24" (60.96 cm) mín.
Hauteur de l'ouverture - C	34 ¹ / ₂ " (87.6 cm) mín. 35" (88.9 cm) max.
Dimension - D	12 ¹ / ₁₆ " (30.64 cm)
Dimension - E	21 ³ / ₄ " (55.16 cm)
Dimension - F	1 ³ / ₄ " (4.44 cm)
Dimension - G	3" (7.55 cm)
Dimension - H	4 ¹ / ₂ " (11.37 cm)
Dimension - I	9 ¹ / ₄ " (23.47 cm)

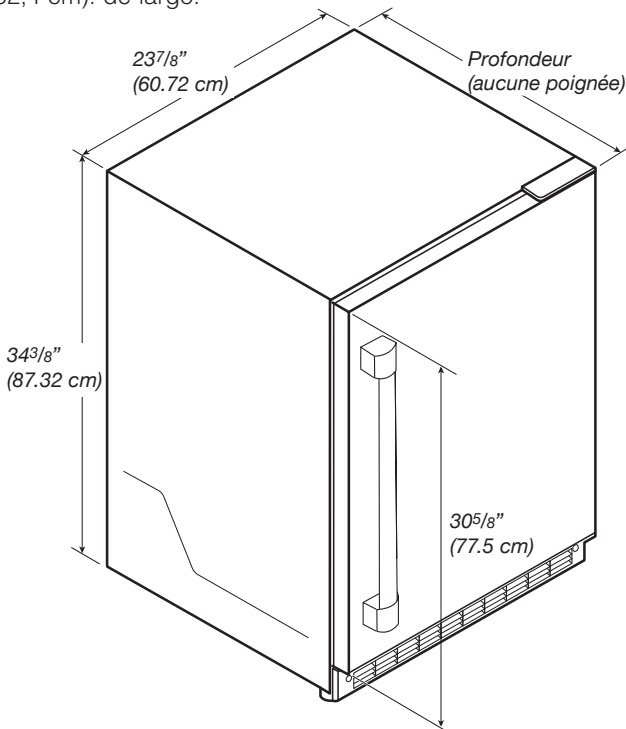
Pour une installation en affleurement, la prise de courant peut être installée dans des armoires adjacentes avec une découpe du côté du cordon d'alimentation pour l'acheminement du cordon d'alimentation.

La prise de courant peut également être encastrée sur le mur arrière derrière l'appareil, conformément aux emplacements recommandés pour les prises dans l'illustration ci-dessus.

Dimensions du Produit

Produit entier	
Largeur (jusqu'au cache charnière)	23 ⁷ / ₈ " (60.72 cm)
Hauteur (jusqu'au cache charnière)	34 ³ / ₈ " (87.32 cm)
Profondeur des modèles compatibles avec les panneaux (avec panneau de 3/4" et sans poignée)	23 ¹³ / ₁₆ " (60.5 cm)
Hauteur de porte	30 ⁵ / ₈ " (77.75 cm)
Profondeur (sans poignée)	23 ⁵ / ₈ " (60.01 cm)

REMARQUE: La longueur du cordon d'alimentation est de 60" (152.4 cm). de largo.



Panneau Décoratif Personnalisé

REMARQUE: Pour les modèles standards en acier inoxydable ou avec porte en verre, passer ces instructions et commencer directement à la section "Spécifications électriques".

Pour l'installation d'un panneau décoratif personnalisé, l'installateur devra fabriquer lui-même le panneau ou consulter un ébéniste ou menuisier qualifié. Consulter le dessin des dimensions pour les spécifications du panneau.

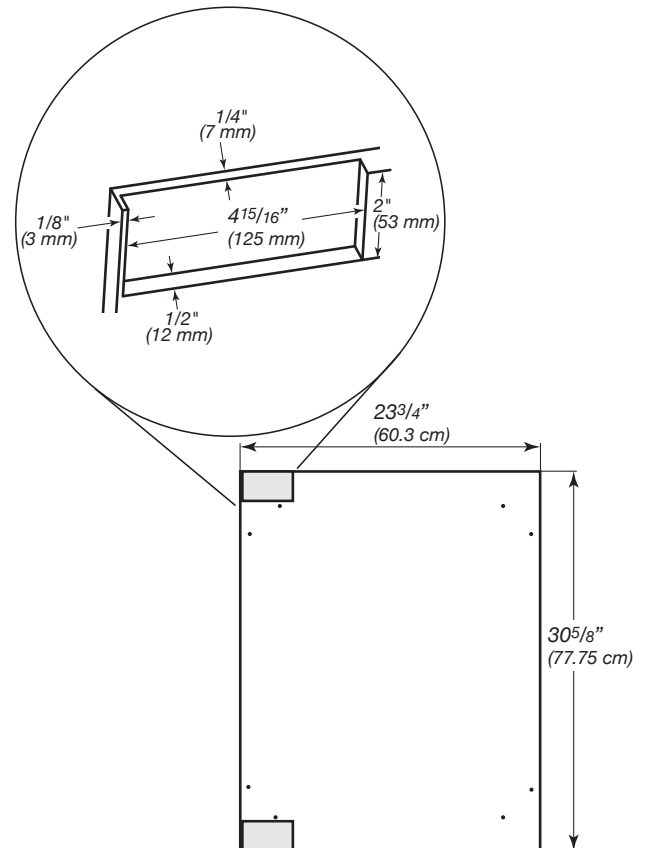
IMPORTANT:

- L'épaisseur du panneau décoratif doit être de 3/4" (19 mm).
- Le poids du panneau décoratif plein personnalisé ne doit pas dépasser 20 lb (9,07 kg).
- Le poids du panneau décoratif en verre personnalisé ne doit pas dépasser 10 lb (4,54 kg).
- Un panneau décoratif pesant plus que la limite recommandée risque d'endommager l'appareil.

Panneau décoratif plein personnalisé - Préparation:

Fabriquer le panneau décoratif personnalisé en utilisant les dimensions indiquées dans l'illustration dimensions du panneau décoratif plein personnalisé et position des charnières. Les zones foncées doivent être creusées de 1/2" (12 mm) comme indiqué.

IMPORTANT: L'illustration suivante présente un panneau personnalisé pour une porte dont les charnières sont installées du côté droit. Si les charnières de votre réfrigérateur pour boissons sont installées du côté gauche, faire tourner le cadre personnalisé de 180° pour que les marques de charnière se retrouvent du côté gauche.

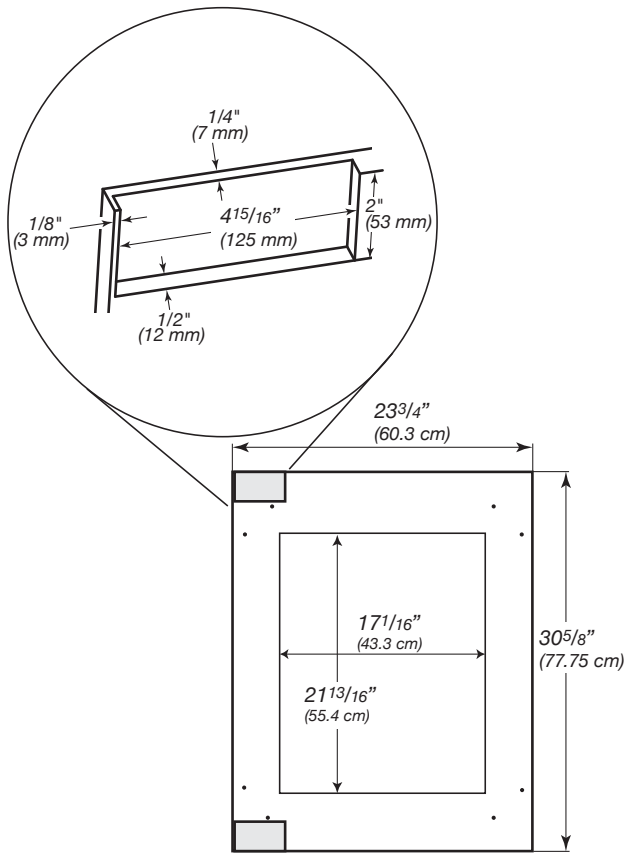


Dimensions du panneau décoratif plein personnalisé et position des charnières.

Panneau décoratif en verre personnalisé - Préparation:

Fabriquer le panneau décoratif personnalisé en utilisant les dimensions indiquées dans l'illustration dimensions du panneau décoratif en verre personnalisé et position des charnières. Les zones foncées doivent être creusées de 1/2" (12 mm) comme indiqué.

IMPORTANT: L'illustration suivante présente un panneau personnalisé pour une porte dont les charnières sont installées du côté droit. Si les charnières de votre réfrigérateur pour boissons sont installées du côté gauche, faire tourner le cadre personnalisé de 180° pour que les marques de charnière se retrouvent du côté gauche.



Dimensions du panneau décoratif en verre personnalisé et position des charnières.

Poignées (facultatif)

Des poignées personnalisées sont habituellement fixées seulement sur le panneau de porte personnalisé.

Consulter les instructions reçues avec la trousse de poignée KitchenAid pour installer ces poignées sur les panneaux de bois personnalisés.

Les poignées personnalisées doivent être installées sur le panneau de porte à l'aide de trous fraisés, avant d'installer le panneau sur la porte du réfrigérateur pour boissons.

Spécifications Électriques

⚠ AVERTISSEMENT



Risque de Décharge Électrique

Brancher sur une prise à 3 alvéoles reliée à la terre.

Ne pas enlever la broche de liaison à la terre.

Ne pas utiliser un adaptateur.

Ne pas utiliser un câble de rallonge.

Le non-respect de ces instructions peut causer un décès, un incendie ou un décharge électrique.

Avant de placer le réfrigérateur pour boissons à son emplacement final, il est important de vous assurer d'avoir la connexion électrique appropriée.

Méthode recommandée de mise à la terre:

Chaque appareil doit être alimenté par un circuit à 115 VAC à 60 Hz relié à la terre et protégé par un fusible de 15 A ou 20 A. Il est recommandé d'utiliser un circuit distinct pour alimenter uniquement votre réfrigérateur pour boissons. Utiliser une prise de courant dont l'alimentation ne peut pas être interrompue par un interrupteur. Ne pas utiliser de rallonge.

REMARQUE: Avant d'exécuter tout type d'installation, nettoyage ou remplacement d'une ampoule d'éclairage, débrancher le réfrigérateur pour boissons ou déconnecter la source de courant électrique.

INSTRUCTIONS D'INSTALLATION

Déballage du Réfrigérateur pour Boissons

⚠ AVERTISSEMENT

Risque du Poids Excessif

Utiliser deux personnes ou plus pour déplacer et installer ou désinstaller l'appareil.

Le non-respect de cette instruction peut causer une blessure au dos ou d'autre blessure.

Avant d'utiliser le réfrigérateur pour boissons, tous les matériaux d'emballage doivent être enlevés et l'intérieur doit être nettoyé.

- Enlever tout résidu de ruban adhésif et de colle des surfaces avant de mettre en marche le réfrigérateur pour boissons. Frotter une petite quantité de savon à vaisselle liquide avec ses doigts sur tout adhésif et essuyer avec de l'eau chaude pour enlever.
- Ne pas utiliser d'instruments coupants, d'alcool à friction, de liquides inflammables ou de nettoyants abrasifs pour enlever le ruban adhésif ou la colle. Ceux-ci peuvent endommager

les surfaces du réfrigérateur pour boissons. Pour plus de renseignements, voir la section "Sécurité du réfrigérateur pour boissons".

- Jeter ou recycler tous les matériaux d'emballage.
- Une fois que tous les matériaux d'emballage ont été retirés, nettoyer l'intérieur du réfrigérateur pour boissons. Consulter les instructions de nettoyage dans la section "Nettoyage".

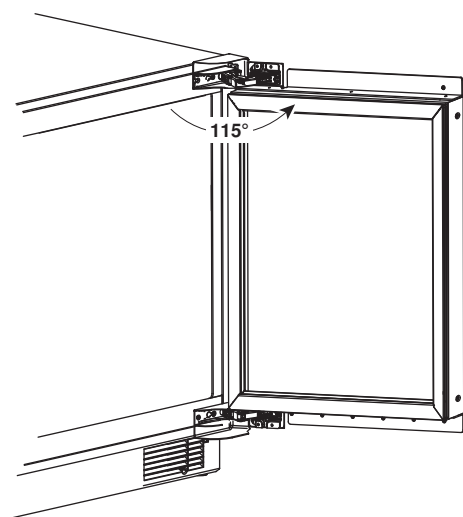
REMARQUE: Pour les modèles standards en acier inoxydable ou avec porte en verre, passer la section "Fermeture de la porte".

Installation du Panneau Personnalisé

IMPORTANT:

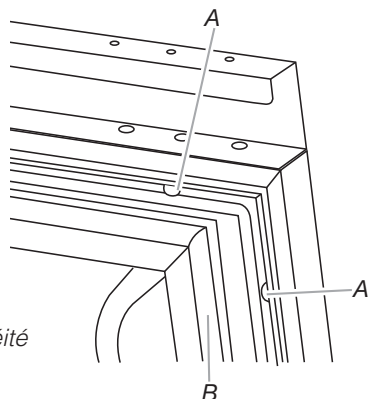
- Réaliser le panneau décoratif personnalisé selon les spécifications de la section "Panneau décoratif personnalisé".
- KitchenAid n'est pas responsable des opérations d'enlèvement et de réinstallation des moulures ou panneaux décoratifs qui entraveraient l'accès au réfrigérateur pour boissons lors d'une intervention de réparation.

1. Ouvrir complètement la porte à 115°.



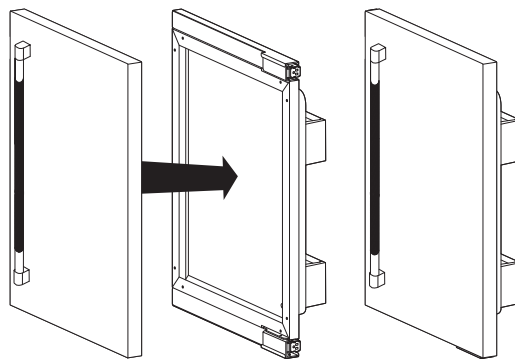
2. Retirer le joint d'étanchéité des coins de la porte en tirant doucement jusqu'à ce que les deux trous de vis dans chaque coin de la porte soient visibles.

REMARQUE: Le joint d'étanchéité n'a pas besoin d'être enlevé de la porte, seulement les coins.



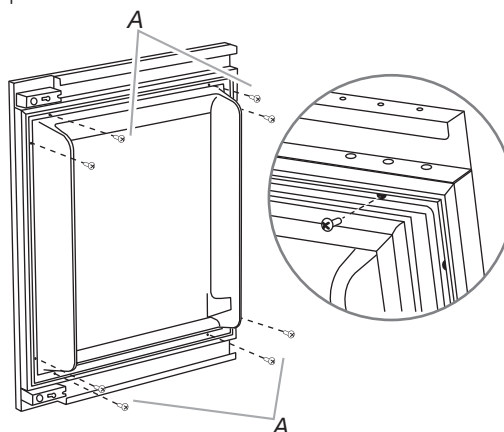
A. Trous de vis
B. Joint d'étanchéité

3. À deux personnes, maintenir le panneau personnalisé contre la porte. S'assurer que les charnières du haut et du bas s'insèrent parfaitement dans les fentes au dos du panneau personnalisé.



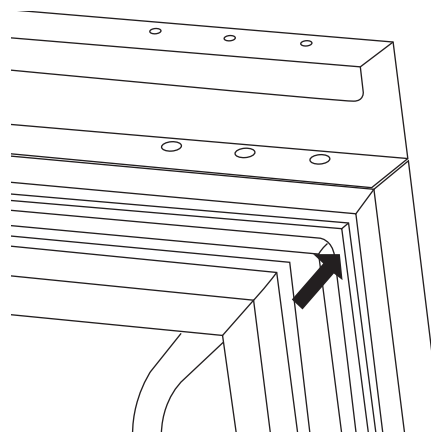
REMARQUE: Les poignées doivent être installées sur le panneau de porte avant d'installer ce dernier sur la porte du réfrigérateur pour boissons.

4. Fixer le panneau personnalisé sur la porte à l'aide de deux vis à bois (fournies dans l'ensemble d'installation) à chaque coin.



A. Vis à tête fraisée M4 x 30 (incluses dans la trousse d'installation)

5. Appuyer fermement sur le joint pour le remettre à sa place.




Installation et Fermeture de la Porte

Le réfrigérateur pour boissons possède quatre pieds de réglage de l'aplomb. Si le réfrigérateur pour boissons semble instable ou si vous désirez que la porte se ferme plus

facilement, régler l'inclinaison de l'appareil en observant les instructions ci-dessous.

⚠ AVERTISSEMENT



Risque de Décharge Électrique

Brancher sur une prise à 3 alvéoles reliée à la terre.

Ne pas enlever la broche de liaison à la terre.

Ne pas utiliser un adaptateur.

Ne pas utiliser un câble de rallonge.

Le non-respect de ces instructions peut causer un décès, un incendie ou un décharge électrique.

1. Brancher l'appareil sur une prise à 3 alvéoles reliée à la terre.

⚠ AVERTISSEMENT

Risque du Poids Excessif

Utiliser deux personnes ou plus pour déplacer et installer ou désinstaller l'appareil.

Le non-respect de cette instruction peut causer une blessure au dos ou d'autre blessure.

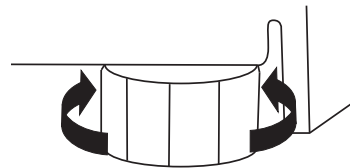
Déplacement de votre réfrigérateur pour boissons:

Votre réfrigérateur pour boissons est lourd. Lors du déplacement du réfrigérateur pour boissons pour un nettoyage, un entretien ou réparation, veiller à recouvrir le plancher avec du carton ou un panneau de fibre dur pour éviter qu'il ne subisse tout dommage. Toujours tirer le réfrigérateur pour boissons tout droit lors du déplacement. Ne pas incliner la réfrigérateur pour boissons d'un côté ou de l'autre ni la "faire marcher" en essayant de le déplacer, car le plancher pourrait être endommagé.

2. Déplacer le réfrigérateur pour boissons à sa position finale.

3. Tourner les pieds de réglage de l'aplomb vers la droite pour abaisser le réfrigérateur pour boissons ou tourner les pieds de réglage de l'aplomb vers la gauche pour le soulever. Il peut être nécessaire de tourner les pieds de réglage de l'aplomb plusieurs fois pour ajuster l'inclinaison du réfrigérateur pour boissons.

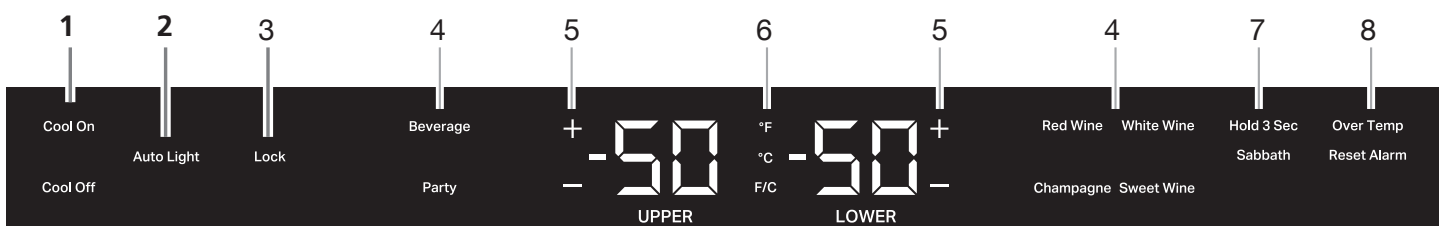
REMARQUE: Si une autre personne pousse le haut du réfrigérateur pour boissons, le poids devient moins lourd sur les pieds de réglage de l'aplomb, ce qui rend plus facile l'ajustement des pieds d'aplomb.



4. Ouvrir la porte et s'assurer qu'elle ferme comme vous le désirez. Sinon, incliner le réfrigérateur pour boissons un peu plus vers l'arrière en tournant les deux vis de réglage de l'aplomb avant vers la droite. Plusieurs tours peuvent être nécessaires et il convient de tourner les deux vis de réglage de l'aplomb de façon égale.

UTILISATION DU RÉFRIGÉRATEUR POUR BOISSONS

Commandes

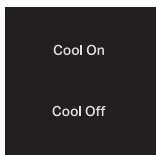


REMARQUES:

- Lorsque l'on met en marche le réfrigérateur pour boissons pour la première fois, la température est réglée par défaut sur le réglage recommandé.
- Il y a deux commandes réglables de la température, une pour chaque compartiment.
- Le clavier tactile de température et de pré-réglage gauche commande la température du compartiment supérieur.
- Le clavier tactile de température et de pré-réglage droit commande la température du compartiment inférieur.

1. Mise en Marche/Arrêt de la Commande

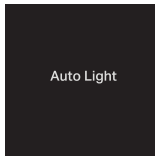
La première fois que le réfrigérateur pour boissons est branché, la commande est réglée en mode Cool Off (refroidissement désactivé). Cool On (refroidissement activé) et Cool Off (refroidissement activé) sont les seules options affichées.



Appuyer sur COOL ON (refroidissement activé) pendant 3 secondes pour mettre en marche le réfrigérateur pour boissons. Tous les menus et les réglages de température recommandés s'affichent.

2. Option d'Éclairage Automatique

Comporte un capteur de proximité dans la grille de base qui augmente automatiquement l'éclairage de l'afficheur intérieur à DEL lorsqu'un mouvement est détecté. Lorsque plus aucun mouvement n'est détecté, la lampe intérieur s'éteint au bout de 2 minutes.

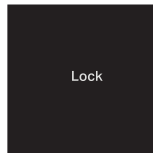


- Appuyer sur l'option AUTO LIGHT (lampe auto) pour activer cette caractéristique.
- Lorsque la fonction Auto Light (lampe auto) n'est pas activée, la lampe d'intérieur ne s'allume que lorsque la porte est ouverte.

REMARQUE: La température du réfrigérateur pour boissons augmente légèrement si la lumière est laissée allumée pendant une période prolongée.

3. Verrouillage des Commandes

Fonction sélectionnable qui verrouille toutes les commandes sauf Cool On (refroidissement activé) et Cool Off (refroidissement désactivé).



Pour activer le mode de verrouillage, appuyer sur LOCK (verrouillage) pendant 3 secondes. Après le compte à rebours, tous les autres affichages s'éteignent et deviennent indisponibles sauf Cool On (refroidissement activé), Cool Off (refroidissement désactivé) et Lock (verrouillage).

4. Utilisation des Préréglages



Pour votre commodité, le réfrigérateur pour boissons est également équipé de commandes pré-réglées à des températures d'entreposage recommandées pour des boissons spécifiques. En appuyant sur une option de pré-réglage, la température sera réglée au niveau recommandé pour une boisson spécifique:

Beverage (Boisson): 34 °F (1 °C)

Party (fête) 37 °F (3 °C)

Red wine (Vin rouge): 64 °F (17 °C)

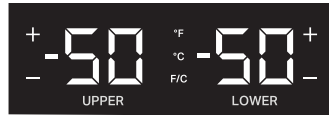
White wine (Vin blanc): 50 °F (10 °C)

Sweet wine (Vin doux): 42 °F (5 °C)

Champagne: 46 °F (7 °C)

5. Réglage des Températures

Pour ajuster les réglages de température, appuyer sur la touche "+" (plus) ou "-" (moins) jusqu'à ce que la température désirée soit atteinte. La commande est réglée correctement lorsque les boissons sont à la température idéale.



REMARQUES:

- Le point de réglage pour le réfrigérateur pour boissons est 37 °F (3 °C) pour le compartiment supérieur et 50 °F (10 °C) pour le compartiment inférieur. La gamme de réglage pour le compartiment supérieur varie de 33 °F à 40 °F (0 °C à 4 °C) et de 42 °F à 64 °F (5 °C à 17 °C) pour le compartiment inférieur.
- Attendre au moins 24 heures entre les réglages pour que les produits s'adaptent. Vérifier de nouveau la température avant de procéder à d'autres réglages.

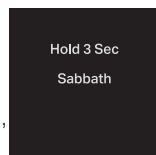
6. Visualisation de la Température en degrés Celsius/Fahrenheit

Appuyer sur la touche tactile F/C pour alterner l'affichage de la température en degrés Fahrenheit ou en degrés Celsius. Le témoin correspondant s'allumera.



7. Mode Sabbat

Permet d'ouvrir ou de fermer la porte du réfrigérateur pour boissons pendant le sabbat ou d'autres fêtes religieuses sans allumer ou éteindre directement les lumières, les affichages numériques, les solénoïdes, les ventilateurs, les vannes, les icônes, les tonalités, les alarmes ou le compresseur. En sélectionnant cette caractéristique, les points de réglage de température restent inchangés, mais les lumières du panneau de commande, les lampes intérieur et les signaux sonores du panneau de commande sont désactivés. Pour un fonctionnement plus efficace du réfrigérateur pour

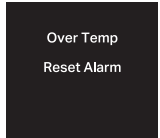


boissons, il est recommandé de sortir du mode Sabbat lorsque celui-ci n'est plus nécessaire.

- Appuyer sur SABBATH (Sabbat) pendant 3 secondes pour activer la caractéristique. Après le compte à rebours de 3 secondes, la caractéristique s'active et tous les autres affichages s'éteignent.
- Appuyer sur SABBATH (Sabbat) pendant 3 secondes pour désactiver la caractéristique et activer l'affichage.

8. Alarme de Dépassement de Température

La caractéristique de dépassement de la température est conçue pour vous avertir lorsque la température du réfrigérateur pour boissons dépasse 70 °F (21 °C) pendant plus de 4 heures. L'alarme sonore s'éteint automatiquement lorsque la température revient à la normale. Pour vous avertir d'un dépassement de température, le témoin lumineux continue de clignoter jusqu'à ce que l'on appuie sur la touche Reset Alarm (réinitialisation de l'alarme).



Si le dépassement de température persiste après une réinitialisation de l'alarme de dépassement de température, le témoin lumineux continue de se réactiver toutes les 4 heures jusqu'à ce que la température du réfrigérateur pour boissons descende en-dessous de 70 °F (21 °C).

REMARQUE: Ces caractéristiques ne s'affichent pas sur la commande à moins que la température du réfrigérateur pour boissons soit en état de dépassement de la température et que l'alarme doive être réinitialisée.

9. Refroidissement Maximal

Réduit les températures internes jusqu'à son le point plus bas pendant 24 heures.

- Appuyez sur "+" et "F/C" en même temps pour allumer la fonction. La fonction sera activée.
- Appuyez sur "+" et "F/C" en même temps pour éteindre la fonction. La fonction sera désactivée.

Si la fonction n'est pas désactivée comme indiqué, depuis 24 h elle sera désactivée par elle-même.

10. Alarme de Porte Ouverte

Permet d'éviter que les aliments et les boissons ne se gâtent en faisant retentir une alerte sonore et visuelle si la porte reste ouverte pendant 5 minutes.

Si la porte est laissée ouverte pendant plus de 5 minutes, l'avertisseur retentira toutes les 2 minutes jusqu'à ce que l'on ferme la porte ou que l'on appuie sur n'importe quelle touche.

11. Mode d'Exposition

Ce mode est utilisé uniquement lorsque le réfrigérateur pour boissons est en exposition dans le magasin. Pour activer le mode d'exposition, maintenez les touches Cool On et Sabbath en même temps pendant 3 secondes. Si l'on active involontairement le mode d'exposition, "Cool Off" (refroidissement désactivé) s'allume sur l'affichage et les commandes semblent fonctionner. Sortir du mode d'exposition en appuyant simultanément sur COOL ON (refroidissement activé) et SABBATH (Sabbat) pendant 3 secondes.

Sons Normaux

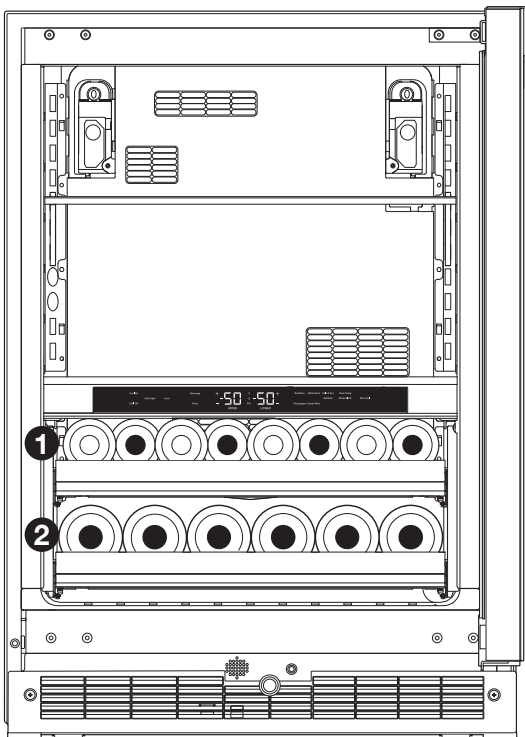
Il est possible que le réfrigérateur pour boissons neuf émette des bruits que l'appareil précédent ne produisait pas. Comme ces sons sont nouveaux, ils peuvent vous inquiéter. La plupart de ces nouveaux sons sont normaux. Les sons peuvent vous sembler plus forts avec des surfaces dures telles que le plancher et les structures adjacentes. Les descriptions suivantes indiquent le genre de sons et leur cause possible.

- Votre réfrigérateur pour boissons est conçu pour fonctionner de manière plus efficace afin de conserver

vos boissons aux températures désirées et de réduire la consommation d'énergie. Le compresseur et les ventilateurs à haute efficacité peuvent faire fonctionner votre réfrigérateur pour boissons plus longtemps que l'ancien. Il se peut également que vous entendiez un bruit saccadé ou aigu provenant du compresseur ou des ventilateurs qui se règlent pour optimiser la performance.

- Des vibrations sonores peuvent provenir de l'écoulement du réfrigérant ou d'articles placés dans le réfrigérateur pour boissons.
- À la fin de chaque programme, vous pouvez entendre un gargouillement attribuable au réfrigérant qui se trouve dans votre réfrigérateur pour boissons.
- Vous pouvez entendre l'écoulement de l'eau dans le plateau de récupération lorsque le réfrigérateur pour boissons dégivre.
- Vous pouvez entendre des déclics lorsque le réfrigérateur pour boissons se met en marche ou s'arrête.

Stockage dans le Réfrigérateur pour Boissons



Porte-bouteilles 1: Pour stocker jusqu'à huit bouteilles de vin de 750 mL [diamètre inférieur ou égal à 3¹/₈" (80 mm)].

Porte-bouteilles 2: Pour stocker jusqu'à cinq bouteilles de vin plus grandes [diamètre jusqu'à 3¹/₈" (80 mm)].

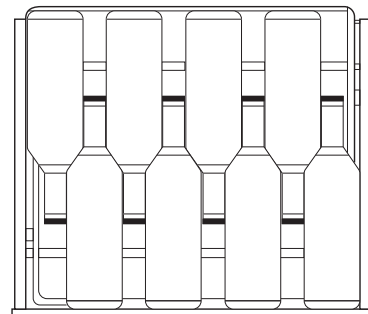
Stockage de boissons sur tablettes dans le Réfrigérateur pour Boissons:

Placer les jus de fruits, boissons gazeuse ou autres boissons en cannettes sur les tablettes en verre.

Stockage de boissons dans le Réfrigérateur pour Boissons – Porte-Bouteilles 1:

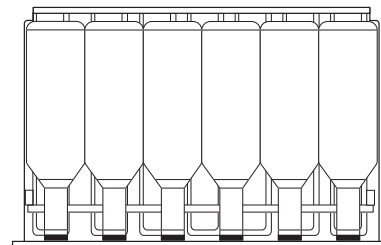
REMARQUE: Le porte-bouteilles peut être utilisé pour ranger les bouteilles orientées dans les deux sens. Toutefois, pour optimiser le stockage, les bouteilles adjacentes doivent être orientées dans le sens opposé.

1. En commençant par le côté gauche, placer la première bouteille sur le bas du porte-bouteilles, le goulot de la bouteille vers l'avant du réfrigérateur pour boissons.
2. Placer la bouteille suivante à côté, le goulot de la bouteille vers l'arrière du réfrigérateur pour boissons. Alternier ainsi l'orientation des bouteilles jusqu'à ce que le porte-bouteilles soit plein.



Stockage de boissons dans le Réfrigérateur pour Boissons – Porte-Bouteilles 2:

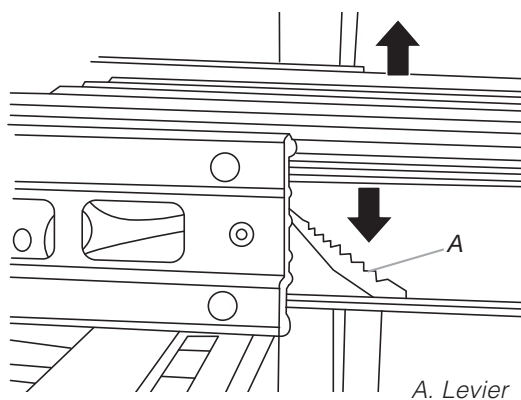
1. En commençant par le côté gauche du porte-bouteilles inférieur, placer la première bouteille avec le goulot de la bouteille orienté vers l'avant du réfrigérateur pour boissons.
2. Continuer à placer les bouteilles restantes dans le même sens.



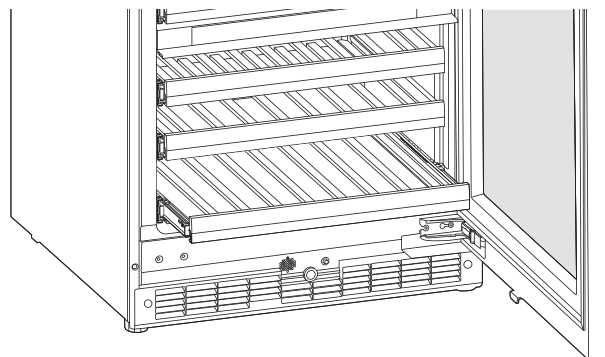
Porte-Bouteilles

Retirer et replacer les porte-bouteilles:

1. Tirer le porte-bouteilles vers l'avant jusqu'à la butée.
2. Appuyer sur le levier gauche tout en levant le levier droit pour dégager le porte-bouteilles. Tirer le porte-bouteilles vers l'avant et le soulever hors de ses supports.



3. Réinstaller le porte-bouteilles en l'insérant dans les supports et en le faisant glisser jusqu'en butée.



Tablettes du Réfrigérateur pour Boissons

Enlever et réinstaller les tablettes:

1. Enlever la tablette en soulevant l'avant et en la retirant des fentes de tablette.
2. Replacez la tablette en l'insérant dans les fentes et en la poussant vers l'arrière du compartiment.

Importants renseignements à savoir au sujet des tablettes et des couvercles en verre:

Ne pas nettoyer les tablettes ou couvercles en verre avec de l'eau tiède quand ils sont froids. Les tablettes et les couvercles peuvent se briser s'ils sont exposés à des changements soudains de température ou à un impact tel qu'un coup brusque. Le verre trempé est conçu pour éclater en d'innombrables pièces minuscules. Ceci est normal. Les tablettes et les couvercles en verre sont lourds. Les saisir à deux mains lors de leur dépose afin d'éviter de les faire tomber.

ENTRETIEN ET NETTOYAGE

Nettoyage

⚠ AVERTISSEMENT



Risque d'Explosion

Risque d'incendie ou d'explosion.

Fluide frigorigène inflammable utilisé.

Ne pas utiliser d'appareils mécaniques pour dégivrer le réfrigérateur.

Ne pas perforer la tubulure de réfrigération.

Nettoyer le réfrigérateur pour boissons une fois par mois pour empêcher une accumulation d'odeurs. Essuyer les renversements immédiatement.

Pour nettoyer le Réfrigérateur pour Boissons:

1. Débrancher le réfrigérateur pour boissons ou déconnecter la source de courant électrique.
2. Vider et retirer toutes les tablettes et tous les porte-bouteilles de l'intérieur du réfrigérateur pour boissons.
3. Laver à la main, rincer et sécher les pièces amovibles et les surfaces internes soigneusement. Utiliser une éponge propre ou un linge doux et un détergent doux dans de l'eau tiède.
 - Afin d'éviter d'endommager les tiges en bois et les garnitures, les essuyer avec une éponge propre ou un chiffon doux et de l'eau tiède. Ne pas utiliser de détergent ni immerger le porte-bouteilles tout entier dans l'eau lors du nettoyage.
 - Ne pas utiliser de nettoyants puissants ou abrasifs tels que les nettoyants à vitre en atomiseurs, nettoyants à récurer, liquides inflammables, cires nettoyantes, détergents concentrés, agents de blanchiment ou nettoyants contenant du pétrole sur les pièces en plastique, les garnitures intérieures et garnitures de portes ou sur les joints de portes. Ne pas utiliser d'essuie-tout, de tampons à récurer ou d'autres outils de nettoyage abrasifs. Ces produits risquent d'égratigner ou d'endommager les matériaux.

- Pour aider à éliminer les odeurs, on peut laver les parois intérieures avec un mélange d'eau tiède et de bicarbonate de soude [2 c. à soupe pour 1 pte (26 g pour 0,95 L) d'eau].
4. Laver les surfaces extérieures en acier inoxydable et surfaces extérieures peintes avec une éponge propre ou un linge doux et un détergent doux dans de l'eau tiède. Ne pas utiliser de produits de nettoyage forts ou abrasifs, ni de nettoyants à base de chlore. Ces produits risquent d'égratigner ou d'endommager les matériaux. Séchez immédiatement avec un chiffon doux et sec pour absorber l'eau restante.

REMARQUE: Pour que votre réfrigérateur pour boissons en acier inoxydable conserve son aspect neuf et pour enlever les petites égratignures ou marques, il est recommandé d'utiliser le nettoyant et poli pour acier inoxydable approuvé par le fabricant. Pour commander le nettoyant, voir la section "Accessoires".

IMPORTANT:

- Ce nettoyant doit être utilisé sur les pièces en acier inoxydable uniquement!
 - Veiller à ce que le nettoyant et poli pour acier inoxydable n'entre pas en contact avec les pièces de plastique comme les garnitures, couvercles de distributeurs ou joints de porte. En cas de contact non intentionnel, nettoyer la pièce de plastique avec une éponge et un détergent doux dans de l'eau tiède. Séchez immédiatement avec un chiffon doux et sec pour absorber l'eau restante.
5. Réinstaller les casiers.

Nettoyage du condensateur

⚠ AVERTISSEMENT



Risque d'Explosion

Risque d'incendie ou d'explosion causé par la perforation de la tubulure de réfrigération.

Suivre avec attention les instructions de manipulation.

Fluide frigorigène inflammable utilisé.

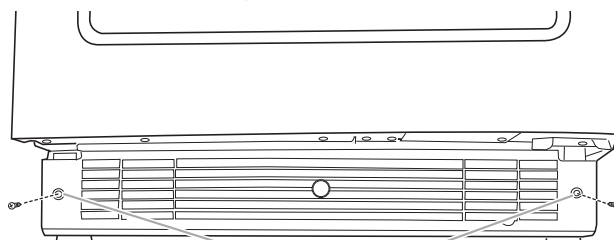
1. Retirer la grille de la base pour pouvoir accéder au condenseur aux fins de nettoyage. Se reporter à la section "Retrait de la grille de la base".
2. Nettoyer régulièrement les serpentins du condenseur. Ils sont situés derrière le casier de la base. Il se peut que les serpentins aient besoin d'être nettoyés tous les deux mois. Ce nettoyage peut aider à économiser de l'énergie.

Enlever la Grille de la Base

La grille de la base doit être retirée pour pouvoir accéder aux serpentins du condenseur lors du nettoyage.

Pour enlever la grille de la base:

1. Ouvrir la porte du réfrigérateur pour boissons.



2. À l'aide d'un tournevis à tête cruciforme, ôter les deux vis.
3. Retirer le casier de la base.

Pour replacer la grille de la base:

1. Ouvrir la porte du réfrigérateur pour boissons.
2. Positionner la grille de la base de façon à ce que les onglets soient alignés et que la grille de la base s'emboîte. Réinstaller les deux vis. Serrer les vis.

Entretien Avant les Vacances

Si vous choisissez d'arrêter le réfrigérateur pour boissons avant de partir, suivre ces étapes.

1. Retirer toutes les boissons du réfrigérateur pour boissons.
2. Débrancher le réfrigérateur pour boissons.
3. Nettoyer le réfrigérateur pour boissons. Se reporter à la section "Nettoyage".
4. À l'aide d'un ruban adhésif, placer un bloc de caoutchouc ou de bois dans la partie supérieure de la porte de façon à ce qu'elle soit suffisamment ouverte pour permettre l'entrée de l'air à l'intérieur, afin d'éviter l'accumulation d'odeur ou de moisissure.

Précautions à Prendre Avant un Déménagement

Lors du déplacement du réfrigérateur pour boissons dans une nouvelle habitation, suivre ces étapes pour préparer le déménagement.

1. Retirer toutes les boissons du réfrigérateur pour boissons.
2. Débrancher le réfrigérateur pour boissons.
3. Nettoyer, essuyer et sécher à fond.
4. Retirer toutes les pièces amovibles, bien les envelopper et les attacher ensemble avec du ruban adhésif pour qu'elles ne bougent et ne s'entrechoquent pas durant le déménagement.
5. Fermer les portes à l'aide de ruban adhésif et fixer le cordon d'alimentation à la caisse du réfrigérateur pour boissons.

Lors de l'arrivée au nouveau domicile, remettre tout en place et consulter les "Instructions d'installation" fournies à avec le réfrigérateur pour boissons.

DÉPANNAGE

Essayer d'abord les solutions suggérées ici afin d'éviter le coût d'une intervention de dépannage inutile.

⚠ AVERTISSEMENT



Risque de Décharge Électrique

Brancher sur une prise à 3 alvéoles reliée à la terre.

Ne pas enlever la broche de liaison à la terre.

Ne pas utiliser un adaptateur.

Ne pas utiliser un câble de rallonge.

Le non-respect de ces instructions peut causer un décès, un incendie ou un décharge électrique.

UTILISATION GÉNÉRALE

Causes Possibles et Solutions Recommandées

Le réfrigérateur pour boissons ne fonctionne pas

- **Le cordon d'alimentation électrique est-il débranché?** Brancher l'appareil sur une prise à 3 alvéoles reliée à la terre.
- **La prise électrique fonctionne-t-elle?** Brancher une lampe pour voir si la prise fonctionne.
- **Un fusible du domicile est-il grillé ou un disjoncteur s'est-il déclenché?** Remplacer le fusible ou remettre le disjoncteur en fonction. Si le problème persiste, appeler un électricien.
- **Les commandes sont-elles activées?** S'assurer que les commandes du réfrigérateur pour boissons sont activées. Se reporter à la section "Commandes".

Le moteur semble fonctionner trop

- **La température ambiante est-elle plus élevée que d'habitude?** Prévoir que le moteur fonctionnera plus longtemps dans des conditions de chaleur. Pour des températures normales, prévoir que le moteur fonctionne à peu près 40 % à 80 % du temps. Dans des conditions plus chaudes, prévoir un fonctionnement encore plus fréquent.
- **La porte est-elle ouverte fréquemment?** Prévoir que le moteur fonctionne plus longtemps dans ce cas. Afin de conserver l'énergie, essayer de sortir du réfrigérateur pour boissons tout ce dont vous avez besoin en une fois, garder les aliments organisés de sorte qu'ils soient faciles à trouver et fermer la porte dès que les aliments ont été retirés.

UTILISATION GÉNÉRALE

Causes Possibles et Solutions Recommandées

Le moteur semble fonctionner trop

- **Le réglage est-il correct pour les conditions existantes?** Se reporter à la section "Commandes".
- **La porte est-elle bien fermée?** Bien fermer la porte. Si elle ne ferme pas complètement, voir "La porte ne ferme pas complètement" plus loin dans cette section.
- **Les serpentins du condenseur sont-ils sales?** Cette situation fait obstruction au transfert de l'air et fait travailler davantage le moteur. Nettoyer les serpentins du condenseur. Se reporter à la section "Nettoyage".

TEMPÉRATURE ET HUMIDITÉ

Causes Possibles et Solutions Recommandées

La température est trop élevée

- **La porte est-elle ouverte fréquemment?** Savoir que le réfrigérateur pour boissons se réchauffera dans ce cas. Afin de garder le réfrigérateur pour boissons au frais, essayer de sortir du réfrigérateur pour boissons tout ce dont vous avez besoin en une fois, garder les boissons organisées de sorte qu'elles soient faciles à trouver et fermer la porte dès que les boissons ont été retirées.
- **Le réglage est-il correct pour les conditions existantes?** Se reporter à la section "Commandes".
- **La grille de la base est-elle obstruée?** Pour le meilleur rendement, ne pas installer le réfrigérateur pour boissons derrière une porte d'armoire ni obstruer la grille de la base.

Il y a accumulation d'humidité à l'intérieur

- **La porte est-elle ouverte fréquemment?** Pour éviter l'accumulation d'humidité, essayer de sortir du réfrigérateur pour boissons tout ce dont vous avez besoin en une fois, garder les boissons organisées de sorte qu'ils soient faciles à trouver et fermer la porte dès que les boissons ont été retirées. Lorsque la porte est ouverte, l'humidité de l'air extérieur pénètre dans le réfrigérateur pour boissons. Plus la porte est ouverte, plus l'humidité s'accumule rapidement, surtout lorsque la pièce est très humide.
- **La pièce est-elle humide?** Il est normal que de l'humidité s'accumule à l'intérieur du réfrigérateur pour boissons lorsque l'air est humide.
- **Le réglage est-il correct pour les conditions existantes?** Se reporter à la section "Commandes".

PORTE

Causes Possibles et Solutions Recommandées

⚠ AVERTISSEMENT

Risque d'Explosion Utiliser un produit de nettoyage ininflammable. Le non-respect de cette instruction peut causer un décès, une explosion ou un incendie.

La porte est difficile à ouvrir

- **Les boissons empêchent-elles la porte de fermer?** Réorganiser les boissons de sorte qu'elles soient plus rapprochées et prennent moins d'espace.
- **Les tablettes sont-elles bien en place?** Remettre les tablettes à la bonne position. Voir "Utilisation du réfrigérateur pour boissons" pour plus de renseignements.
- **Le joint est-il sale ou collant?** Nettoyer le joint et la surface avec laquelle il est en contact. Frotter en appliquant une fine couche de paraffine sur le joint après le nettoyage.

La porte ne ferme pas complètement

- **Les porte-bouteilles sont-ils bien en place?** Remettre les casiers en bonne position. Se reporter à la section "Porte-bouteilles" pour plus d'informations.
- **Le joint colle-t-il?** Nettoyer le joint et la surface avec laquelle il est en contact. Frotter en appliquant une fine couche de paraffine sur le joint après le nettoyage.

ASSISTANCE

Si vous avez besoin d'un entretien:

Avant de faire un appel pour assistance ou dépannage, vérifiez la section "Dépannage". Cette vérification peut vous faire économiser le coût d'une intervention de dépannage. Pour de l'aide supplémentaire, suivez les instructions ci-dessous.

Avant d'appeler, avoir à portée de la main la date d'achat, ainsi que les numéros de modèle et de série complets de l'appareil. Ces renseignements nous aideront à mieux répondre à votre demande. Consultez la page de garantie du présent manuel pour plus d'information sur l'entretien.

Si vous avez besoin de pièces de rechange:

Les composants doivent être remplacés par des composants similaires et l'entretien doit être effectué par une personne d'entretien autorisée par l'usine, ce qui permettra de réduire les risques d'ignition possible causés par l'utilisation de mauvaises pièces ou le mauvais entretien.

Aux États-Unis

Téléphoner au Centre pour l'eXpérience de la clientèle de KitchenAid sans frais: **1-800-422-1230**.

Nos Consultants Fournissent de l'Assistance Pour:

- Caractéristiques et spécifications de notre gamme complète d'appareils ménagers.
- Renseignements d'installation.
- Procédés d'utilisation et d'entretien.
- Vente d'accessoires et de pièces de rechange.
- Assistance spécialisée au client (langue espagnole, malentendants, malvoyants, etc.).
- Les références aux concessionnaires, compagnies d'entretien et de réparation, et distributeurs de pièces de rechange locaux. Les techniciens d'entretien désignés par KitchenAid sont formés pour remplir la garantie des produits et fournir un service après garantie partout aux États-Unis.

Pour localiser la compagnie d'entretien désignée par KitchenAid dans votre région, vous pouvez également consulter les Pages jaunes.

Pour Plus d'Assistance

Si vous avez besoin de plus d'assistance, vous pouvez écrire à KitchenAid en soumettant toute question ou problème à:

KitchenAid Brand Home Appliances
Customer eXperience Center
553 Benson Road
Benton Harbor, MI 49022-2692

Dans votre correspondance, veuillez indiquer un numéro de téléphone où l'on peut vous joindre dans la journée.

Au Canada

Téléphoner sans frais au Centre pour l'eXpérience de la clientèle de KitchenAid Canada au: **1-800-807-6777**.

Nos Consultants Fournissent de l'Assistance Pour:

- Caractéristiques et spécifications de notre gamme complète d'appareils ménagers.
- Procédés d'utilisation et d'entretien.
- Vente d'accessoires et de pièces de rechange.
- Les références aux concessionnaires, compagnies d'entretien et de réparation, et distributeurs de pièces de rechange locaux. Les techniciens d'entretien désignés par KitchenAid Canada sont formés pour remplir la garantie des produits et fournir un service après garantie, partout au Canada.

Pour Plus d'Assistance

Si vous avez besoin de plus d'assistance, vous pouvez écrire à KitchenAid Canada en soumettant toute question ou problème à:

KitchenAid Canada
Customer eXperience Centre
200 – 6750 Century Ave.
Mississauga, Ontario L5N 0B7

Dans votre correspondance, veuillez indiquer un numéro de téléphone où l'on peut vous joindre dans la journée.

Accessoires

Les accessoires pour réfrigérateur pour boissons suivants sont disponibles. Pour commander un accessoire, veuillez communiquer avec nous et demander le numéro de pièce correspondant.

Aux États-Unis, visitez notre site web à **www.kitchenaid.com/accessories** ou composer le **1-800-442-9991**.

Au Canada, visitez notre site web à **www.whirlpoolparts.ca** ou composer le **1-800-807-6777**.

Nettoyant et poli pour acier inoxydable

Commander la pièce n° 4396095

CENTRO DE BEBIDAS

Guía de Uso y Cuidados e Instrucciones de Instalación

Para preguntas sobre los recursos, operaciones/desempeño, piezas, accesorios o servicio, llamar al: **1-800-422-1230** o acceda a nuestro sitio web... **www.kitchenAid.com**
En Canadá, llamar al: **1-800-807-6777**, o acceda a nuestro sitio web... **www.KitchenAid.ca**

TABLA DE CONTENIDO

SEGURIDAD DEL CENTRO DE BEBIDAS	28
Eliminación adecuada de su Centro de Bebidas Anterior	29
REQUISITOS DE INSTALACIÓN	29
Herramientas y Piezas	29
Requisitos de la Localización	29
Dimensiones del Producto	30
Panel Recubierto Personalizado	30
Manija (Opcional)	31
Requisitos Eléctricos	31
INSTRUCCIONES DE INSTALACIÓN	31
Desempaque del Centro de Bebidas	31
Instalación del Panel Recubierto Personalizado	32
Instalación y Cierre de la Puerta	32
USO DEL CENTRO DE BEBIDAS.....	33
Controles	33
Sonidos Normales.....	34
Abasteciendo el Centro de Bebidas	35
Estanterías para Vino	35
Estantes del Centro de Bebidas	36
CUIDADOS Y LIMPIEZA	36
Limpieza	36
Removiendo la Rejilla de la Base	36
Cuidados de Vacaciones.....	37
Cuidados de Desplazamiento.....	37
RESOLUCIÓN DE PROBLEMAS.....	37
ASISTENCIA	39
En EE.UU.	39
En Canadá	39
Accesorios	39

SEGURIDAD DEL CENTRO DE BEBIDAS

Su seguridad y la de los demás es muy importante.

Hemos provisto muchos mensajes de seguridad importantes en este manual y en su aparato. Siempre lea y obedezca a todos los mensajes de seguridad.



Este es el símbolo de alerta de seguridad.

Ese símbolo le alertará con respecto a posibles peligros que pueden matar o herir a usted o a otros.

Todos los mensajes de seguridad acompañarán el símbolo de alerta de seguridad y las palabras "PELIGRO" o "ADVERTENCIA". Esas palabras significan:

! PELIGRO

Usted puede morir o resultar gravemente herido si no sigue inmediatamente las instrucciones.

! ADVERTENCIA

Usted puede morir o resultar gravemente herido si no sigue las instrucciones.

Todos los mensajes de seguridad le dirán cuáles son los posibles peligros, cómo reducir las posibilidades de lesiones y dirán qué podrá ocurrir si se dejan de seguir las instrucciones.

INSTRUCCIONES DE SEGURIDAD IMPORTANTES

ALERTA: Para reducir el riesgo de incendio, choque eléctrico o lesión al utilizar su centro de bebidas, siga estas siguientes precauciones básicas:

- Conéctelo en un tomacorriente de 3 polos con toma de tierra.
- No retire la clavija con toma de tierra.
- No utilice un adaptador.
- No utilice una extensión eléctrica.
- Desconecte de la energía antes de realizar el mantenimiento.
- Sustituya todas las piezas y paneles antes de operar.
- Retire las puertas de su centro de bebidas antiguo.
- No utilice un limpiador inflamable.
- No almacene o utilice gasolina, líquidos inflamables o gas alrededor de ese o de otros aparatos eléctricos. Los vapores pueden causar incendios o explosiones.
- No almacene sustancias explosivas, como latas de aerosol, con un propulsor inflamable en ese centro de bebidas.
- No utilice o inserte aparatos eléctricos en los compartimientos del centro de bebidas si estos no son del tipo expresamente autorizado por el fabricante.
- Utilice dos o más personas para mover e instalar el centro de bebidas.
- Este aparato no ha sido diseñado para ser utilizado por personas (incluyendo niños) con capacidades físicas, sensoriales o mentales reducidas, o con falta de experiencia y conocimiento, a menos que ellos reciban supervisión o instrucción con respecto al uso del aparato por una persona responsable por su seguridad.
- Los niños deben ser supervisados para garantizar que no jugarán con el aparato.
- Para evitar riesgo de que algún niño quede encerrado y con peligro de asfixia, no permita que ellos jueguen o que se escondan dentro del centro de bebidas.
- Si el cable de alimentación está dañado, debe ser sustituido por el fabricante, su agente de servicio o por una persona igualmente calificada.
- Mantenga las aberturas de ventilación del nicho o de la estructura integrada del aparato libres de obstrucción.
- No utilice aparatos mecánicos u otros medios para acelerar el proceso de descongelamiento además de aquellos recomendados por el fabricante.
- No dañe el circuito de refrigeración.

GUARDE ESTAS INSTRUCCIONES

Eliminación Adecuada de su Centro de Bebidas Anterior

ADVERTENCIA: Riesgo de niños atrapados. Antes de desechar su centro de bebidas anterior:

- Saque las puertas.
- Deje los estantes en su lugar para los niños no puedan introducirse con facilidad.

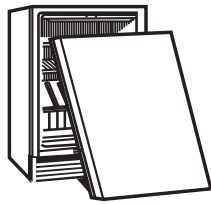
ADVERTENCIA

Peligro de Asfixia

Quite las puertas o la tapa de su electrodoméstico anterior.

No seguir esta instrucción puede ocasionar la muerte o daño al cerebro.

IMPORTANTE: El atrapamiento y la asfixia de los niños no son problemas del pasado. Los centros de bebidas tirados y abandonados igual constituyen un peligro, incluso si van a quedar ahí "por unos pocos días". Si está por deshacerse de su centro de bebidas anterior, siga las instrucciones a continuación para evitar accidentes.



Información importante para saber acerca del desecho de refrigerantes:

Deshágase del refrigerador siguiendo los reglamentos federales y locales. Los refrigerantes deberán ser evacuados por un técnico certificado en refrigeración por EPA (Agencia de Protección del Medioambiente) según los procedimientos establecidos.

REQUISITOS DE INSTALACIÓN

Herramientas y Piezas

Reúna las herramientas y piezas necesarias antes de empezar la instalación.

Herramientas y piezas necesarias:

- Destornillador Phillips.
- Panel de Puerta Superior Personalizado - Vea "Puerta de panel recubierto personalizado".
- Mango personalizado y equipo de montaje (opcional).

Piezas provistas:

- Tornillos de cabeza plana M4 x 30 (8).

Requisitos de la Localización

ADVERTENCIA



Peligro de Explosión

Mantenga materiales inflamables y vapores, como gasolina, lejos del centro de bebidas.

No hacerlo podrá resultar en muerte, explosión o incendio.

IMPORTANTE: Ese aparato ha sido diseñado para ser usado en ambientes domésticos y aplicaciones similares, tales como:

- Áreas con personal de cocina en tiendas, oficinas y otros ambientes de trabajo;
- Haciendas y por clientes en hoteles, moteles y otros tipos de ambientes residenciales;
- Ambientes del tipo albergues;
- Buffet y otras aplicaciones no comerciales.

NOTAS:

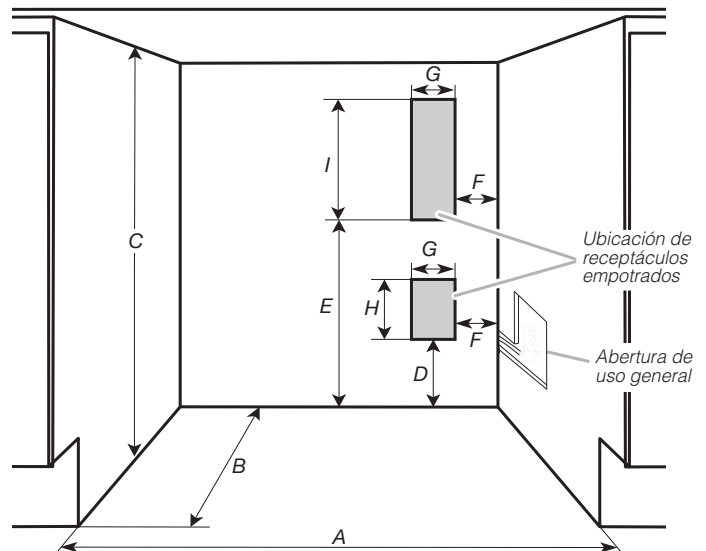
- Para que el Centro de Bebidas quede al ras con la parte delantera de los gabinetes de la base, retire los zócalos o molduras de la parte trasera de la abertura. Consulte "Dimensiones del producto" y más adelante en esta sección, "Dimensiones de Abertura".
- Se recomienda que el centro de bebidas no sea instalado cerca de un horno, radiador, u otra fuente de calor.
- No instale en un local donde la temperatura caerá por debajo de los 55 °F (13 °C). Para un mejor desempeño, no instale el centro de bebidas por detrás de una puerta de alacena ni bloquee la rejilla de la base.

Dimensiones de abertura:

- Las dimensiones de altura se muestran con las patas de nivelación extendidas en su altura mínima.

NOTA: Cuando las patas de nivelación estuvieren totalmente extendidas, añada 5/8" (15 mm) a las dimensiones de altura. Vea "Dimensiones del Producto".

- Si el piso de la abertura no está nivelado con el piso de la cocina, calce la abertura para nivelarla con el piso de la cocina.



Dimensiones de la apertura y localización de los servicios	
Ancho de la abertura - A	24" (60,96 cm) mín.
Profundidad de la abertura- B	24" (60,96 cm) mín.
Altura de la abertura - C	34 ¹ / ₂ " (87,6 cm) mín. 35" (88,9 cm) máx.
Dimensión - D	12 ¹ / ₁₆ " (30,64 cm)
Dimensión - E	21 ³ / ₄ " (55,16 cm)
Dimensión - F	1 ³ / ₄ " (4,44 cm)
Dimensión - G	3" (7,55 cm)
Dimensión - H	4 ¹ / ₂ " (11,37 cm)
Dimensión - I	9 ¹ / ₄ " (23,47 cm)

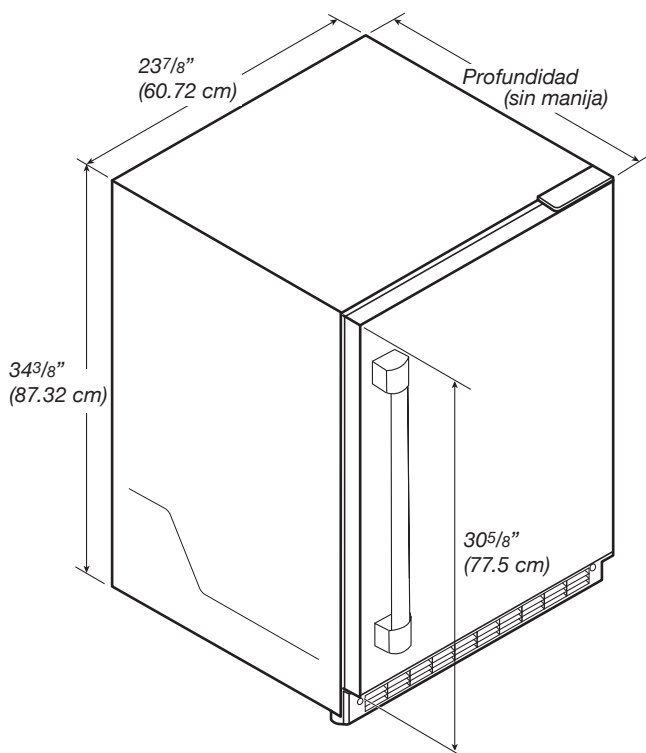
Para instalación al ras, el tomacorriente puede ser instalado en un gabinete adyacente con un corte en el lado del cable de alimentación para encaminarlo hasta allí.

El tomacorriente también puede ser empotrado en la pared posterior, por detrás de la unidad, según la localización de receptáculo recomendada en la ilustración arriba.

Dimensiones del Producto

General del producto	
Ancho (hasta la tapa de la bisagra)	23 ⁷ / ₈ " (60,72 cm)
Altura (hasta la tapa de la bisagra)	34 ³ / ₈ " (87,32 cm)
Profundidad de modelos con paneles listos (con un panel de 3/4" y sin mango)	23 ¹³ / ₁₆ " (60,5 cm)
Altura de la puerta	30 ⁵ / ₈ " (77,75 cm)
Profundidad (sin manija)	23 ⁵ / ₈ " (60,01 cm)

NOTA: El cable de alimentación tiene 60" (152,4 cm) de largo.



Panel Recubierto Personalizado

NOTA: Para modelos estándar de acero inoxidable o de puertas de vidrio, omita esas instrucciones y proceda a la sección "Requisitos Eléctricos".

Si está planeando instalar un panel recubierto personalizado, usted mismo deberá crear el panel o consultar un fabricante de gabinetes o carpintero calificado. Consulte los dibujos de las dimensiones para las especificaciones del panel.

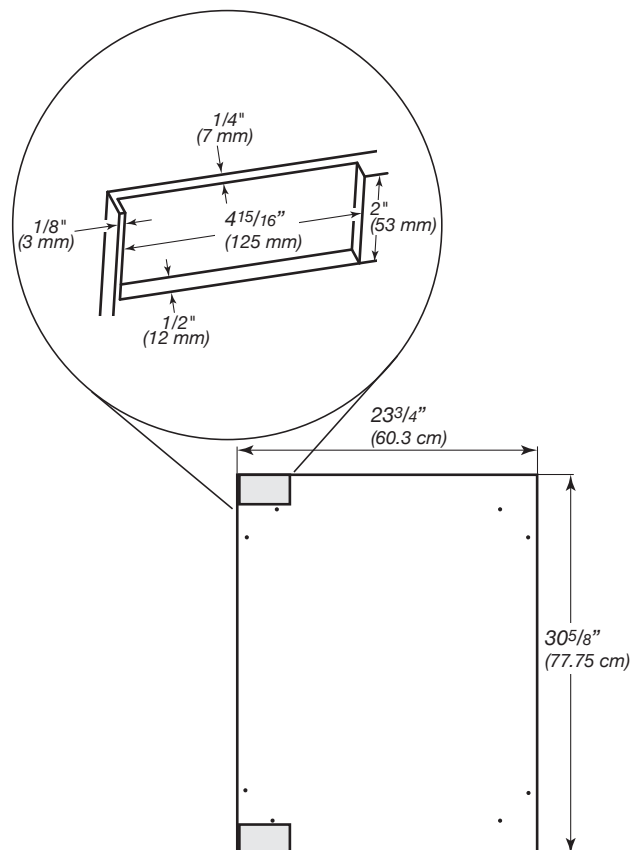
IMPORTANTE:

- El espesor del panel recubierto debe ser 3/4" (19 mm).
- El panel recubierto personalizado de la puerta sólida no debe pesar más de 20 lb (9,07 kg).
- El panel recubierto personalizado de la puerta de vidrio no debe pesar más de 10 lb (4,54 kg).
- Paneles superiores que pesan más de lo recomendado pueden dañar su aparato.

Panel recubierto de puerta sólida - Preparación:

Cree el panel recubierto personalizado utilizando las dimensiones exhibidas en la ilustración "Dimensiones del panel recubierto de puerta sólida y encaminamiento de las bisagras". Encamine las áreas sombreadas con una profundidad de 1/2" (12 mm), según la exhibición.

IMPORTANTE: Los gráficos siguientes muestran un panel personalizado para una puerta con bisagras instaladas a su derecha. Si su centro de bebidas tiene bisagras instaladas a su izquierda, gire la estructura personalizada 180° para que las marcas de las bisagras estén a la izquierda.

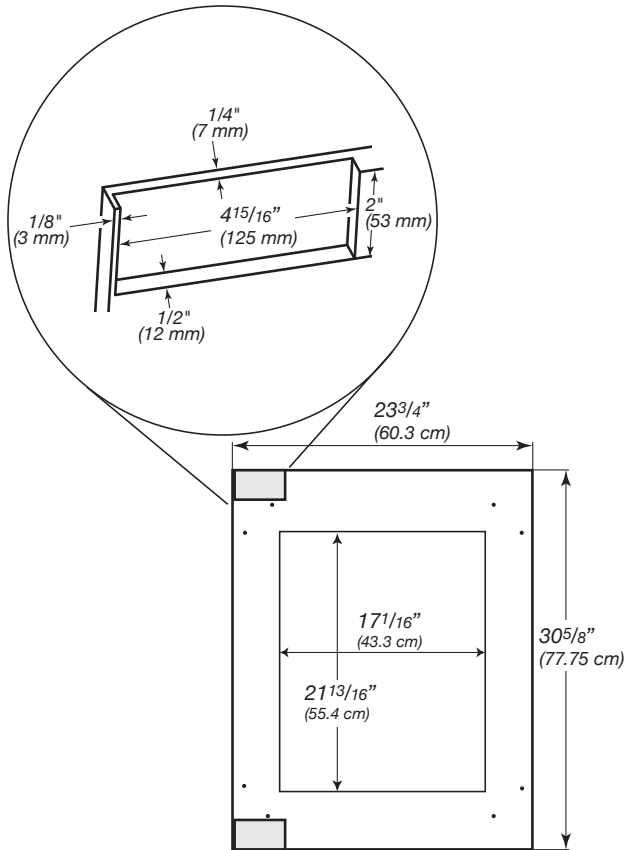


Dimensiones del panel recubierto de puerta sólida y encaminamiento de las bisagras.

Panel recubierto de puerta de vidrio - Preparación:

Cree el panel recubierto personalizado utilizando las dimensiones que se muestran en la ilustración "Dimensiones del panel recubierto de puerta de vidrio y encaminamiento de las bisagras". Encamine las áreas sombreadas con una profundidad de 1/2" (12 mm), según la exhibición.

IMPORTANTE: Los gráficos siguientes muestran un panel personalizado para una puerta con bisagras instaladas a su derecha. Si su centro de bebidas tiene bisagras instaladas a su izquierda, gire la estructura personalizada 180° para que las marcas de las bisagras estén a la izquierda.



Dimensiones del panel recubierto de puerta de vidrio y encaminamiento de las bisagras.

Manija (opcional)

Las manijas personalizadas suelen estar fijadas solamente al panel recubierto personalizado de la puerta.

Consulte las instrucciones recibidas con los kits de manijas KitchenAid para instalar esas manijas en paneles de madera personalizados.

Las manijas personalizadas deben ser instaladas en el panel de la puerta con agujeros avellanados e instaladas antes que el panel recubierto personalizado de la puerta sea instalado en la puerta del centro de bebidas.

Requisitos Eléctricos

⚠ ADVERTENCIA



Peligro de Choque Eléctrico

Conéctelo en un tomacorriente de 3 polos con toma de tierra.

No retire la clavija con toma de tierra.

No utilice un adaptador.

No utilice una extensión eléctrica.

No seguir estas instrucciones podrá resultar en muerte, incendio o choque eléctrico.

Antes de mover su centro de bebidas hasta su localización final, asegúrese de que usted posee la conexión eléctrica adecuada.

Método de puesta a tierra recomendado:

Una fuente de alimentación de 115 VAC, 60 Hz, 15 A o 20 A con fusibles y puesta a tierra es necesaria. Se recomienda un circuito separado para alimentar solamente a su centro de bebidas. Utilice un tomacorriente que no puede ser apagado por un interruptor. No utilice una extensión eléctrica.

NOTA: Antes de realizar algún tipo de instalación, limpieza o de quitar una bombilla, desconecte el centro de bebidas o la fuente de alimentación.

INSTRUCCIONES DE INSTALACIÓN

Desempaquete del Centro de Bebidas

⚠ ADVERTENCIA

Peligro de Peso Excesivo

Use dos o más personas para mover e instalar o desinstalar el aparato.

No seguir esta instrucción puede ocasionar una lesión en la espalda u otro tipo de lesiones.

Antes de utilizar su centro de bebidas, deberá quitar todos los materiales de embalaje y limpiar el interior.

- Quite los residuos de cinta adhesiva y de pegamento de las superficies antes de encender su centro de bebidas. Con sus dedos, frote una pequeña cantidad de detergente para platos sobre cualquier adhesivo y limpie con agua caliente para eliminarlo.
- No utilice instrumentos afilados, alcohol para frotar, fluidos inflamables o limpiadores abrasivos para eliminar cinta adhesiva o pegamento. Ellos pueden dañar las superficies

de su centro de bebidas. Para más información, vea la sección "Seguridad del Centro de Bebidas".

- Deshágase de y/o recicle todos los materiales de embalaje.
- Después que todos los materiales de embalaje han sido quitados, limpie el interior de su centro de bebidas. Vea las instrucciones de limpieza de la sección "Limpieza".

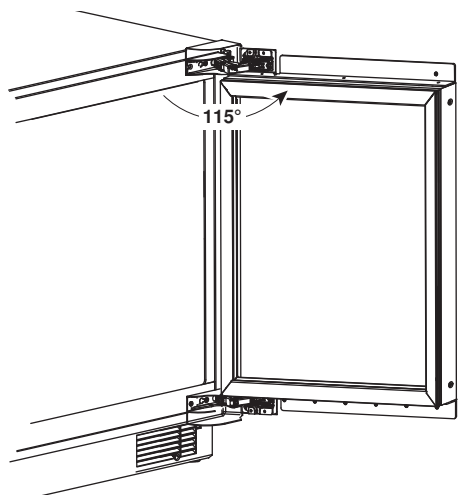
NOTA: Para modelos estándar de acero inoxidable o de puertas de vidrio, omita la sección "Cerrando la Puerta".

Instalación del Panel Recubierto Personalizado

IMPORTANTE:

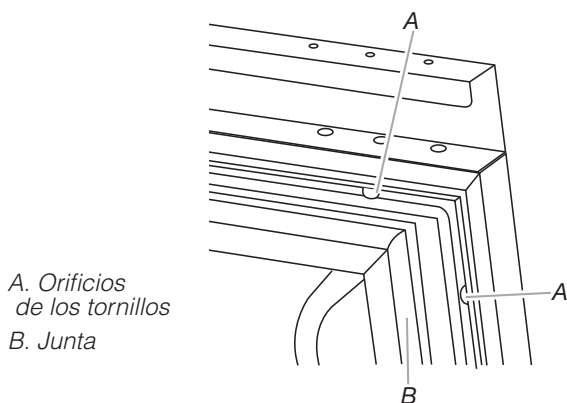
- Cree el panel recubierto personalizado según las especificaciones de la sección "Panel Recubierto Personalizado".
- KitchenAid no es responsable por la remoción o adición de estructuras o paneles decorativos que imposibilitan el acceso a el centro de bebidas para mantenimiento.

1. Abra la puerta completamente en 115°.



2. Retire las juntas de las esquinas de la puerta, jalando suavemente hasta que sea posible ver los dos orificios de tornillos en cada esquina de la puerta.

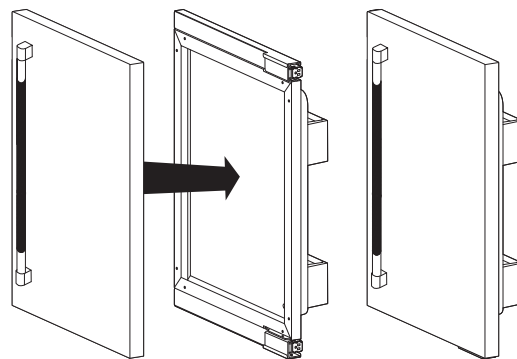
NOTA: No es necesario quitar toda la junta de la puerta, solo las esquinas.



A. Orificios de los tornillos
B. Junta

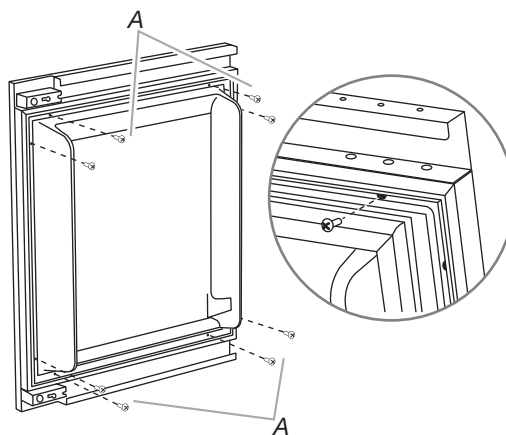
3. Utilizando dos personas, sostenga el panel recubierto personalizado contra la puerta. Asegúrese de que las bisagras superior e inferior se ajustan correctamente en

el encaminamiento por detrás del panel personalizado de madera.



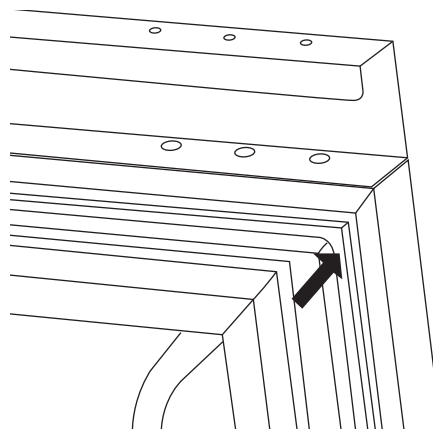
NOTA: La manija debe ser instalada antes que el panel recubierto de la puerta sea instalado en la puerta del centro de bebidas.

4. Fije en panel personalizado a la puerta utilizando dos tornillos de madera (provistos en el kit de instalación) en cada esquina.



A. Tornillos de cabeza plana M4 x 30 (provistos en el kit de instalación)

5. Presione la junta firmemente de nuevo en su posición original.



Instalación y Cierre de la Puerta

Su centro de bebidas tiene cuatro patas de nivelación. Si siente que su centro de bebidas no está nivelado o si desea

que la puerta se cierre con más facilidad, ajuste la inclinación del centro de bebidas utilizando las instrucciones abajo.

⚠ ADVERTENCIA



Peligro de Choque Eléctrico

Conéctelo en un tomacorriente de 3 polos con toma de tierra.

No retire la clavija con toma de tierra.

No utilice un adaptador.

No utilice una extensión eléctrica.

No seguir estas instrucciones podrá resultar en muerte, incendio o choque eléctrico.

1. Conéctelo en un tomacorriente de 3 polos con toma de tierra.

⚠ ADVERTENCIA

Peligro de Peso Excesivo

Use dos o más personas para mover e instalar o desinstalar el aparato.

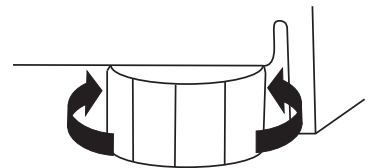
No seguir esta instrucción puede ocasionar una lesión en la espalda u otro tipo de lesiones.

Al mover su Centro de Bebidas:

Su centro de bebidas es pesado. Al mover el centro de bebidas para limpieza o mantenimiento, asegúrese de cubrir la puerta con cartón o HDF para evitar que la puerta sufra daños. Siempre jale el centro de bebidas directamente para fuera al moverlo. No menee o “camine” con el centro de bebidas al intentar moverlo, pues eso podría dañar la puerta.

2. Mueva el centro de bebidas hasta su localización final.
3. Gire las patas de nivelación a la derecha para bajar el centro de bebidas o gire las patas de nivelación a la izquierda para levantarlo. Pueden ser necesarios diversos giros de las patas de nivelación para ajustar la inclinación del centro de bebidas.

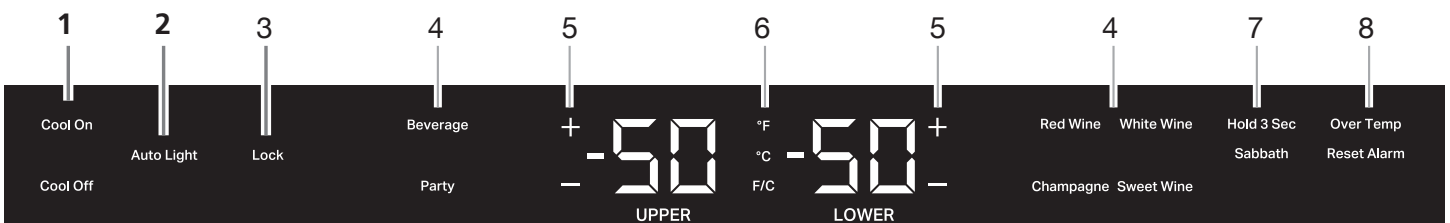
NOTA: Hacer que alguien empuje la parte superior del centro de bebidas reduce un poco del peso de las patas de nivelación. Eso facilita el ajuste de las patas de nivelación.



4. Abra la puerta y verifique si se cierra tan fácilmente como le gustaría. Si no, incline el centro de bebidas un poco más hacia atrás girando los dos tornillos de nivelación delanteros a la derecha. Puede que sea necesario dar más vueltas, y las dos patas de nivelación deben ser giradas en la misma proporción.

USO DEL CENTRO DE BEBIDAS

Controles

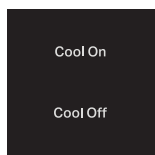


NOTAS:

- Cuando el centro de bebidas es encendido por la primera vez, los estándares de temperatura serán ajustados según las configuraciones recomendadas.
- Hay dos controles de temperatura ajustables, uno para cada compartimiento.
- La temperatura izquierda y los paneles táctiles preajustados controlan la temperatura del compartimiento superior.
- La temperatura derecha y los paneles táctiles preajustados controlan la temperatura del compartimiento inferior.

1. Encender/Apagar el Control

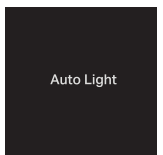
Al conectar el centro de bebidas por la primera vez, el control estará en el modo Cool Off (Enfriar desactivado). Cool On (Enfriar activado) y Cool Off (Enfriar desactivado) serán las únicas opciones presentadas.



Presione Cool On (Enfriar activado) por 3 segundos para encender el centro de bebidas. Todos los menús y configuraciones de temperatura recomendadas serán presentados.

2. Opción Auto Luz

Presenta un sensor de proximidad en la rejilla de base que automáticamente enciende la iluminación LED del visualizador interior cuando detecta movimiento. Cuando deja de detectar movimiento, la luz del visualizador interior será apagada después de 2 minutos.



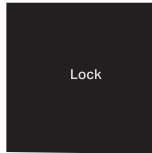
- Presione la opción AUTO LUZ para activar ese recurso.
- Cuando AUTO LUZ no está activada, la luz del visualizador interior será encendida solamente cuando se abre la puerta.

NOTA: Dejar la luz encendida por un período prolongado aumentará ligeramente la temperatura del centro de bebidas.

3. Bloqueo del Control

Un recurso opcional que bloquea a todos los controles, excepto Cool On (Enfriar activado) y Cool Off (Enfriar desactivado).

Para activar el modo de Bloqueo, presione y mantenga Lock (Bloquear) presionado por 3 segundos. Después de la cuenta regresiva, todos los otros visualizadores serán apagados y estarán indisponibles, excepto Cool On (Enfriar activado), Cool Off (Enfriar desactivado) y Lock (Bloquear).



4. Utilizando los Preajustes



Para su conveniencia, su centro de bebidas también posee controles que han sido preajustados según la temperatura de almacenamiento recomendada para bebidas específicas. Presionar cualquier opción preajustada definirá la temperatura a la temperatura recomendada para la bebida específica:

Bebida: 34 °F (1 °C)

Fiesta: 37 °F (3 °C)

Vino tinto: 64 °F (17 °C)

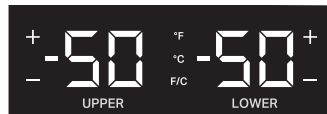
Vino blanco: 50 °F (10 °C)

Vino dulce: 42 °F (5 °C)

Champán: 46 °F (7 °C)

5. Ajustando las Temperaturas

Para ajustar temperaturas de valores objetivos, presione “+” (más) o “-” (menos) hasta llegar a la configuración de temperatura deseada. El control estará configurado correctamente cuando las bebidas estén tan heladas como quiera.

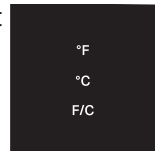


NOTAS:

- El valor objetivo para el centro de bebidas es 37 °F (3 °C) para el compartimiento superior y 50 °F (10 °C) para el compartimiento inferior. El rango del valor objetivo para el compartimiento superior es 33 °F a 40 °F (0 °C a 4 °C) y 40 °F a 64 °F (5 °C a 17 °C) para el compartimiento inferior.
- Aguarde al menos 24 horas entre los ajustes para que el producto se aclimate. Verifique las temperaturas nuevamente antes de hacer ajustes adicionales.

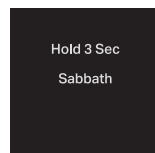
6. Viendo Temperaturas Celsius/Fahrenheit

Presione el panel táctil F/C para alternar entre exhibir la temperatura en grados Fahrenheit y grados Celsius. El indicador correspondiente se encenderá.



7. Modo de Sabbath (Sábado)

Permite que la puerta del centro de bebidas para bebidas permanezca abierta o cerrada durante el sábado u otros feriados religiosos sin encender o apagar directamente cualquier luz, lectura digital, solenoide, ventilador, válvula, icono, sonido, alarma o el compresor. Al seleccionar ese recurso, el valor objetivo de la temperatura no cambiará, pero las luces del panel de control, las luces interiores y el audio de control serán apagados. Para una operación más eficiente del



centro de bebidas, se recomienda salir del modo de Sabbath (Sábado) cuando ese deja de ser necesario.

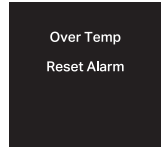
- Presione y mantenga Sabbath (Sábado) presionado por 3 segundos para encender el recurso. Después de la cuenta regresiva de 3 segundos, el recurso será activado y todos los otros visualizadores serán apagados.
- Presione y mantenga Sabbath (Sábado) presionado por 3 segundos para apagar el recurso y encender el visualizador.

8. Alarma de Exceso de Temperatura

El recurso Exceso de Temperatura ha sido diseñado para alertarle que la temperatura del centro de bebidas se ha elevado por encima de los 70 °F (21 °C) por 4 horas o más. La alarma sonora se apagará automáticamente cuando la temperatura vuelva a la normalidad. Para que sepa que una condición de Exceso de Temperatura ha ocurrido, la luz indicadora intermitente seguirá encendida hasta que el panel táctil Reiniciar Alarma sea presionado.

Si la condición de exceso de temperatura todavía está presente cuando se realiza el reinicio de Over Temp (Exceso de temperatura), la luz del indicador continuará reactivándose cada 4 horas hasta que la temperatura del centro de bebidas esté por debajo del rango preestablecido.

NOTA: Esos recursos no aparecerán en su control a menos que su centro de bebidas esté con exceso de temperatura y la alarma deba ser reiniciada.



9. Enfriamiento Máximo

Hace que la temperatura interna llegue hasta su punto más bajo por 24 horas.

- Presione “+” y “F/C” al mismo tiempo para encender el recurso. El recurso será activado.
- Presione “+” y “F/C” al mismo tiempo para apagar el recurso. El recurso será desactivado.

Si no se apaga como indicado, después de 24 h él será desactivado por sí mismo.

10. Alarma de Puerta Abierta

Ayuda a evitar que el alimento y la bebida se echen a perder dando una alerta sonora y visual si se deja la puerta abierta por más de 5 minutos.

Si se deja la puerta abierta por más de 5 minutos, una alarma sonará cada 2 minutos hasta que la puerta se cierre o se presione algún control.

11. Modo Sala de Exposición

Este modo es utilizado solamente cuando el centro de bebidas está en exhibición en una tienda minorista. Para activar el modo Sala de exposición mantenga presionado al mismo tiempo, Cool On (Enfriar activado) y Sabbath (Sábado), durante 3 segundos. En caso que encienda el modo de Sala de exposición, Cool Off (Enfriar desactivado) se encenderá en el visualizador, y los controles aparecerán para operación. Salga del modo de Sala de exposición al mantener presionados Cool On (Enfriar activado) y Sabbath (Sábado) al mismo tiempo por 3 segundos.

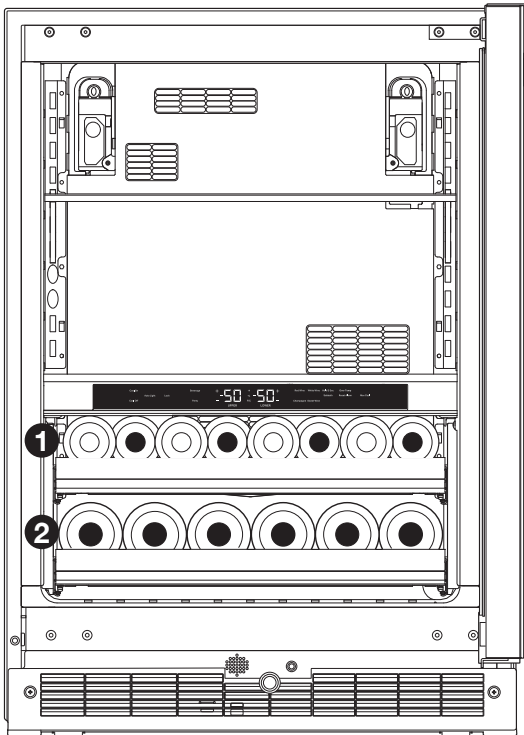
Sonidos Normales

Su nuevo centro de bebidas puede producir ruidos que su centro de bebidas anterior no producía. Como esos sonidos le son nuevos, ellos pueden preocuparle. La mayor parte de esos nuevos sonidos son normales. Superficies duras, como el piso y las estructuras adyacentes, pueden hacerlos sonar

más alto. Lo siguiente describe los tipos de sonidos y qué les pueden estar produciendo.

- Su centro de bebidas está diseñado para funcionar de forma más eficiente para mantener las bebidas a las temperaturas deseadas y para minimizar el uso de energía. El compresor de alta eficiencia y los ventiladores pueden hacer su centro de bebidas funcionar por más tiempo que su centro de bebidas anterior. Puede que usted también escuche un sonido pulsado o agudo del compresor o ventiladores ajustándose para un desempeño óptimo.
- Un ruido de cascabeleo puede originarse del flujo del refrigerante o de artículos almacenados dentro del centro de bebidas.
- A medida que cada ciclo termina, usted podrá escuchar un sonido de gorgoteo debido al flujo del refrigerante en su centro de bebidas.
- Usted podrá escuchar agua corriendo en la bandeja de drenaje cuando el centro de bebidas es descongelado.
- Usted podrá escuchar sonidos de clics cuando el centro de bebidas empieza o para de funcionar.

Abasteciendo el Centro de Bebidas



Estanterías 1: Para poner hasta ocho botellas de vino de 750 ml [diámetro menor que o igual que 3 1/8" (80 mm)].

Estantería 2: Para poner hasta 6 botellas de vino [diámetro de hasta 3 1/8" (80 mm)].

Para abastecer los estantes del Centro de Bebidas:

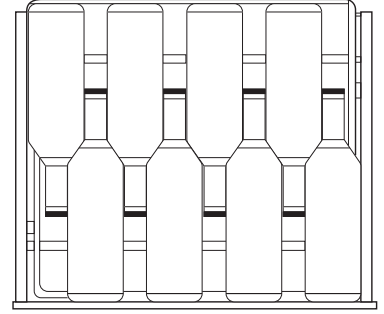
Ponga aguas frescas, gaseosas u otras bebidas enlatadas en los estantes de vidrio.

Para abastecer el Centro de Bebidas - Estantería 1:

NOTA: La estantería de vino puede ser abastecida con las botellas hacia cualquier dirección. Sin embargo, para optimizar el abastecimiento, las botellas contiguas deben estar hacia el lado opuesto.

1. Empezando por la izquierda, ponga la primera botella en la parte inferior de la estantería con el cuello de la botella hacia la parte delantera del centro de bebidas.

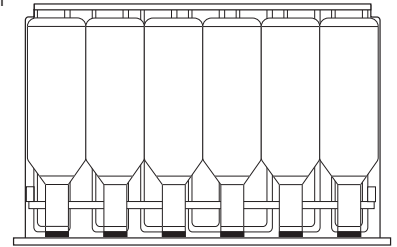
2. Ponga la próxima botella a su lado con el cuello hasta la parte de atrás del centro de bebidas. Alterne la dirección de las botellas de esa manera, hasta que la estantería de exhibición esté llena.



Para abastecer el Centro de Bebidas - Estantería 2:

1. Empezando por la izquierda de la estantería inferior, ponga la primera botella con el cuello hacia la parte delantera del centro de bebidas.

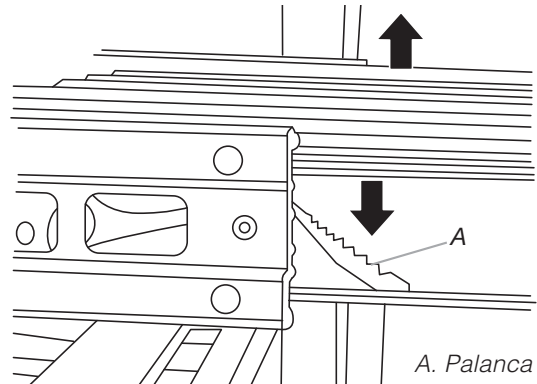
2. Continúe poniendo las botellas restantes hacia la misma dirección.



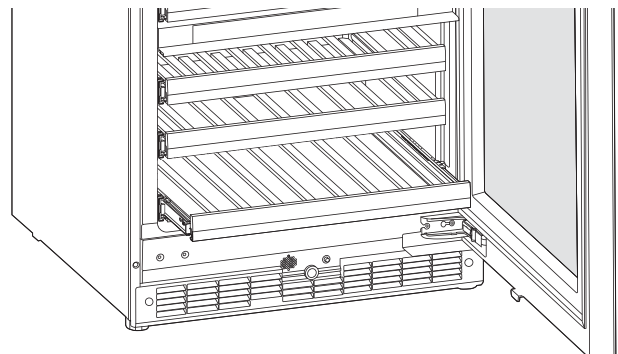
Estanterías para Vino

Para quitar y sustituir las estanterías:

1. Jale la estantería hacia adelante hasta que ella pare.
2. Presione la palanca izquierda hacia abajo mientras levanta la palanca derecha para soltar la estantería. Jale la estantería hacia adelante y levántela y sáquela de los soportes.



3. Sustituya la estantería insiriéndola en los soportes y deslizándola en ellos hasta que esté trabada.



Estantes del Centro de Bebidas

Para quitar y sustituir los estantes:

1. Retire el estante levantando su parte delantera y jalando el estante de sus ranuras.
2. Sustituya el estante insiriéndolo en las ranuras del estante y empujándolo hacia la parte de atrás del compartimiento.

Información importante para saber con respecto a estantes y tapas de vidrio:

No limpie estantes y tapas de vidrio con agua caliente mientras están fríos. Los estantes y tapas pueden romperse si se exponen a cambios súbitos de temperatura o impactos, como golpes. El vidrio templado ha sido diseñado para romperse en añicos. Eso es normal. Los estantes y tapas de vidrio son pesados. Utilice las dos manos para retirarlos para evitar que caigan.

CUIDADOS Y LIMPIEZA

Limpieza

⚠ ADVERTENCIA



Peligro de Explosión

Riesgo de incendio o explosión.

Refrigerante inflamable utilizado.

No use dispositivos mecánicos para descongelar el refrigerador.

No perforo la tubería del refrigerante.

Limpie el centro de bebidas una vez al mes para evitar el acúmulo de olores. Limpie derrames inmediatamente.

Para limpiar su Centro de Bebidas:

1. Desconecte el centro de bebidas o la fuente de alimentación.
2. Vacíe y retire todos los estantes y estanterías del centro de bebidas.
3. Lave a mano, enjuague y seque las piezas removibles y las superficies interiores con atención. Utilice una esponja limpia o un paño y detergente suaves en agua caliente.
 - Para evitar dañar dientes de madera y piezas de recorte, límpielos con una esponja limpia o un paño suave y agua caliente. No utilice detergente o sumerja la estantería entera en agua al limpiar.
 - No utilice limpiadores abrasivos o duros, como limpiadores en aerosol de ventanas, limpiadores de fregar, fluidos inflamables, ceras de limpieza, detergentes concentrados, blanqueadores o limpiadores que contengan productos de petróleo en piezas de plástico, en el interior y en los revestimientos de las puertas o juntas. No utilice toallas de papel, estropajos u otras herramientas duras de limpieza. Estos pueden rayar o dañar los materiales.

- Para ayudar a eliminar olores, usted puede lavar las paredes interiores con una mezcla de agua caliente y bicarbonato de sodio [2 cucharitas para 1 qt (26 g para 0,95 L) de agua].
4. Lave acero inoxidable y exteriores de metal pintado con una esponja limpia o con un paño y detergente suaves en agua caliente. No utilice limpiadores abrasivos, limpiadores duros o limpiadores que contienen cloro. Estos pueden rayar o dañar los materiales. Seque inmediatamente con un paño suave y seco para absorber los restos de agua.

NOTA: Para mantener su centro de bebidas de acero inoxidable como nuevo y para eliminar rayas y marcas menores, se recomienda que utilice el limpiador y pulidora de acero inoxidable aprobados por el fabricante. Para más información sobre limpiadores, vea la sección "Accesorios".

IMPORTANTE:

- ¡Ese limpiador sirve solamente para piezas de acero inoxidable!
 - No permita que el limpiador y pulidora de acero inoxidable entre en contacto con piezas de plástico, como las piezas de recorte, las tapas del dispensador o las juntas de la puerta. En caso de contacto no intencional, limpie la pieza de plástico con una esponja y detergente suave en agua caliente. Seque inmediatamente con un paño suave y seco para absorber los restos de agua.
5. Vuelva a colocar las estanterías.

Limpieza del condensador

⚠ ADVERTENCIA



Peligro de Explosión

Riesgo de incendio o explosión a causa de la perforación de la tubería del refrigerante.

Siga con cuidado las instrucciones de manipulación.

Refrigerante inflamable utilizado.

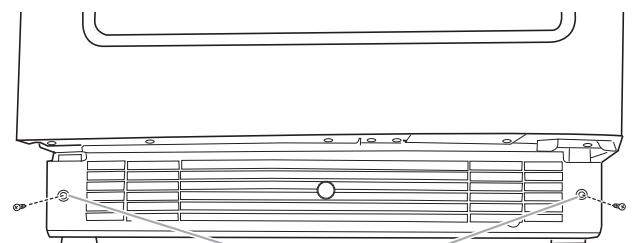
1. Retire la rejilla de la base para acceder al condensador para limpieza. Vea la sección "Para quitar la rejilla de la Base".
2. Limpie las bobinas del condensador regularmente. Estas están localizadas por detrás de la rejilla de la base. Las bobinas deben ser limpiadas una vez cada dos meses. Eso puede ayudar a ahorrar energía.

Removiendo la Rejilla de la Base

Debe quitarse la rejilla de la base para acceder a las bobinas del condensador para limpieza.

Para quitar la rejilla de la base:

1. Abra la puerta del centro de bebidas.



A. Tornillos

A

- Utilizando un destornillador Phillips, retire los dos tornillos.
- Retire la rejilla de la base.

Para sustituir la rejilla de la base:

- Abra la puerta del centro de bebidas.
- Coloque la rejilla de la base para que las dos pestañas se alineen y esta se encaje en la posición. Vuelva a poner los dos tornillos. Apriete los tornillos.

Cuidados de Vacaciones

Si elige apagar el centro de bebidas antes de partir, siga estos pasos.

- Retire todas las botellas del centro de bebidas.
- Desconecte el centro de bebidas.
- Limpie el centro de bebidas. Vea la sección "Limpieza".
- Coloque una goma o un bloque de madera con una cinta adhesiva en la parte superior de la puerta para mantenerla suficientemente abierta para que el aire pueda entrar. Eso impedirá la acumulación de olores y moho.

Cuidados de Desplazamiento

Al mover su centro de bebidas a su nuevo hogar, siga estos pasos para prepararlo para el desplazamiento.

- Retire todas las botellas de vino del centro de bebidas.
- Desconecte el centro de bebidas.
- Limpie, frote y seque bien el centro de bebidas.
- Retire todas las piezas removibles, envuélvelas bien y fíjelas con cinta para que no se desplacen y hagan ruidos durante la mudanza.
- Cierre las puertas y prenda el cable de alimentación del centro de bebidas con cinta.

Al llegar en su nuevo hogar, ponga todo en su respectivo lugar y consulte las "Instrucciones de Instalación" que ha recibido con el centro de bebidas.

RESOLUCIÓN DE PROBLEMAS

Intente las soluciones sugeridas aquí primero para evitar los costos de llamadas innecesarias de servicio de atención al cliente.

⚠ ADVERTENCIA



Peligro de Choque Eléctrico

Conéctelo en un tomacorriente de 3 polos con toma de tierra.

No retire la clavija con toma de tierra.

No utilice un adaptador.

No utilice una extensión eléctrica.

No seguir estas instrucciones podrá resultar en muerte, incendio o choque eléctrico.

OPERACIÓN GENERAL

Causas Posibles y/o Soluciones Recomendadas

El Centro de Bebidas no funciona

- **¿El cable de alimentación está desconectado?** Conéctelo en un tomacorriente de 3 polos con toma de tierra.
- **¿El tomacorriente está funcionando?** Conecte una lámpara para verificar si el tomacorriente está funcionando.
- **¿Fusible doméstico quemado o un disyuntor disparado?** Sustituya el fusible o reinicie el circuito. Si el problema persiste, llame a un electricista.
- **¿Los controles están encendidos?** Asegúrese de que los controles del centro de bebidas están encendidos. Consulte la sección "Controles".

Parece que el motor funciona por mucho tiempo

- **¿La temperatura externa está más elevada de lo normal?** Espere que el motor funcione por más tiempo en condiciones más calientes. Bajo temperaturas normales, espere que el motor funcione alrededor del 40 % al 80 % del tiempo. Bajo condiciones más calientes, espere que este funcione por más tiempo.
- **¿Las puertas se abren con frecuencia?** Espere que el motor funcione por más tiempo cuando eso pasa. Para conservar energía, intente tomar todo lo que necesita del centro de bebidas de una sola vez, mantenga las bebidas organizadas para que sean fáciles de localizar y cierre la puerta después de retirar su contenido.

OPERACIÓN GENERAL

Causas Posibles y/o Soluciones Recomendadas

Parece que el motor funciona por mucho tiempo

- **¿Los controles se configuraron correctamente para las condiciones del ambiente?** Consulte la sección “Controles”.
- **¿La puerta se cerró completamente?** Empuje la puerta con firmeza para cerrarla bien. Si la puerta no se cierra completamente, vea “La puerta no se cierra completamente”, más adelante, en esta sección.
- **¿Las bobinas del condensador están sucias?** Eso obstruye la transferencia del aire y hace que el motor trabaje más duro. Limpie las bobinas del condensador. Vea la sección “Limpieza”.

TEMPERATURA Y HUMEDAD

Causas Posibles y/o Soluciones Recomendadas

La temperatura está demasiado caliente

- **¿Las puertas se abren con frecuencia?** Sepa que el centro de bebidas se calentará cuando eso pasa. Para mantener el centro de bebidas frío, intente tomar todo lo que necesita del centro de bebidas de una sola vez, mantenga las bebidas organizadas para que sean fáciles de localizar y cierre la puerta después de retirar su contenido.
- **¿Los controles se configuraron correctamente para las condiciones del ambiente?** Consulte la sección “Controles”.
- **¿La rejilla de la base está bloqueada?** Para un mejor desempeño, no instale el centro de bebidas por detrás de una puerta de alacena ni bloquee la rejilla de la base.

Hay acúmulo de humedad interior

- **¿Las puertas se abren con frecuencia?** Para mantener el centro de bebidas frío, intente tomar todo lo que necesita del centro de bebidas de una sola vez, mantenga las bebidas organizadas para que sean fáciles de localizar y cierre la puerta después de retirar su contenido. Cuando la puerta es abierta, la humedad de la habitación entra en el centro de bebidas. Entre más se abra la puerta, más rápido la humedad se acumula, en especial si la habitación en sí es muy húmeda.
- **¿Está húmedo?** Es normal que la humedad se acumule en el interior del centro de bebidas cuando el aire está húmedo.
- **¿Los controles se configuraron correctamente para las condiciones del ambiente?** Consulte la sección “Controles”.

PUERTA

Causas Posibles y/o Soluciones Recomendadas

⚠ ADVERTENCIA

Peligro de Explosión Utilice un limpiador no inflamable. No hacerlo podrá resultar en muerte, explosión o incendio.

Es difícil abrir la puerta

- **¿Las bebidas están dejando la puerta abierta?** Reorganice las bebidas para que se ajusten mejor y ocupen menos espacio.
- **¿Los estantes no están bien posicionados?** Vuelva a insertar los estantes en sus posiciones correctas. Vea “Utilización del Centro de Bebidas” para obtener más informaciones.
- **¿El empaque está sucio y pegajoso?** Limpie la junta y la superficie que entra en contacto con ella. Aplique una delgada capa de parafina sobre la junta después de la limpieza.

La puerta no se cierra completamente

- **¿Las estanterías no están bien posicionadas?** Vuelva a insertar las estanterías en sus posiciones correctas. Consulte la sección “Estanterías de Vino” para obtener más informaciones.
- **¿El empaque está pegajoso?** Limpie la junta y la superficie que entra en contacto con ella. Aplique una delgada capa de parafina sobre la junta después de la limpieza.

ASISTENCIA

Si necesita servicio:

Antes de llamar para solicitar asistencia o servicio, verifique "Resolución de problemas". Puede ahorrarle el costo de un servicio. Si aún necesita ayuda, siga las instrucciones a continuación.

Cuando llame, sepa la fecha de compra y el modelo completo y número de serie de su aparato. Esta información nos ayudará a responder mejor a su solicitud. Consulte la página de garantía de este manual para obtener más información sobre el servicio.

Si necesita piezas de repuesto:

Los componentes deben reemplazarse por componentes similares y el servicio debe ser realizado por un personal autorizado de la fábrica, para minimizar el riesgo de posible ignición debido a piezas incorrectas o servicio inadecuado.

En EE.UU.

Llame al centro para la eXperiencia del cliente de KitchenAid sin costo alguno al: **1-800-422-1230**.

Nuestros consultores ofrecen ayuda para:

- Características y especificaciones de nuestra línea completa de electrodomésticos.
- Información sobre la instalación.
- Procedimiento para el uso y mantenimiento.
- Venta de accesorios y partes para reparación.
- Asistencia especializada para el consumidor (habla hispana, problemas de audición, visión limitada, etc.).
- Recomendaciones con distribuidores locales, compañías que dan servicio y distribuidores de partes para reparación. Los técnicos designados por KitchenAid están capacitados para cumplir con la garantía de producto y ofrecer servicio una vez que la garantía termine, en cualquier lugar de Estados Unidos.

Para localizar a una compañía de servicio designada por KitchenAid en su área, también puede consultar la sección amarilla de su guía telefónica.

Para obtener asistencia adicional

Si necesita asistencia adicional, puede escribir a KitchenAid con sus preguntas o dudas a:

KitchenAid Brand Home Appliances
Customer eXperience Center
553 Benson Road
Benton Harbor, MI 49022-2692

Por favor incluya en su correspondencia un número de teléfono en el que se le pueda localizar durante el día.

En Canadá

Llame al Centro para la eXperiencia del cliente de KitchenAid en Canadá sin costo alguno al: **1-800-807-6777**.

Nuestros consultores ofrecen ayuda para:

- Características y especificaciones de nuestra línea completa de electrodomésticos.
- Procedimiento para el uso y mantenimiento.
- Venta de accesorios y partes para reparación.
- Recomendaciones con distribuidores locales, compañías que dan servicio y distribuidores de partes para reparación. Los técnicos designados por KitchenAid Canada están capacitados para cumplir con la garantía del producto y ofrecer servicio una vez que la garantía termine, en cualquier lugar de Canadá.

Para obtener asistencia adicional

Si necesita asistencia adicional, puede escribir a KitchenAid Canada con sus preguntas o dudas a:

KitchenAid Canada
Customer eXperience Centre
200 – 6750 Century Ave.
Mississauga, Ontario L5N 0B7

Por favor incluya en su correspondencia un número de teléfono en el que se le pueda localizar durante el día.

Accesorios

Los siguientes accesorios están disponibles para el centro de bebidas. Para hacer un pedido de un accesorio, contáctenos y pida los números de pieza.

En EE.UU., visite nuestro sitio de internet en **www.kitchenaid.com/accessories** o llame al **1-800-442-9991**.

En Canadá, visite nuestro sitio de internet en **www.whirlpoolparts.ca** o llame al **1-800-807-6777**.

Limpiador de acero inoxidable

Pida la pieza No. 4396095

